



## INSTALLATION INSTRUCTIONS

Accessory  
ILLUMINATED  
DOOR SILL TRIMS

Application  
2021 PILOT

Publications No.  
**VERSION 1**  
Issue Date  
**JUN 2020**

### PARTS LIST

**Illuminated Door Sill Trims Kit**  
P/N 08E12-TG7-100A  
P/N 08E12-TG7-100B

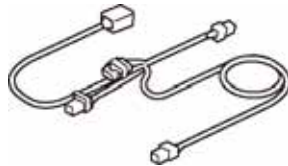
2 Front illuminated door sill trims



2 Rear illuminated door sill trims



2 Door sill trim harnesses



25 Wire ties



2 Fuse labels



2 Aluminum tapes



4 Alcohol wipes



2 Protective tapes



4 Protective clips



### TOOLS AND SUPPLIES REQUIRED

Diagonal cutters

10 mm Open end wrench

Isopropyl alcohol

Scissors

Shop towel

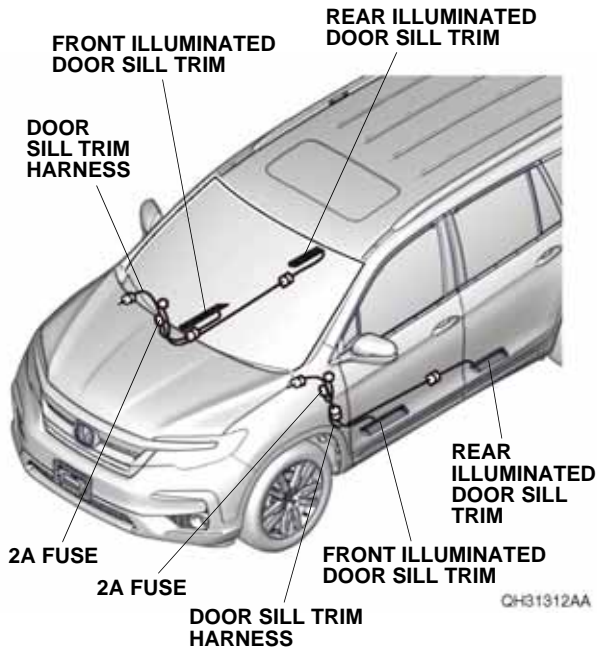
Ruler

Masking tape

*The following tools are available through the Honda Tool and Equipment Program. On the iN, click on Service > Service Bay > Tool and Equipment Program, then enter the number under "Search." Or, call 888-424-6857.*

- Trim Tool Set (T/N SOJATP2014)
- Plastic Trim Tool (T/N SILTRIMTL10)

## Illustration of the Illuminated Door Sill Trims on the Vehicle

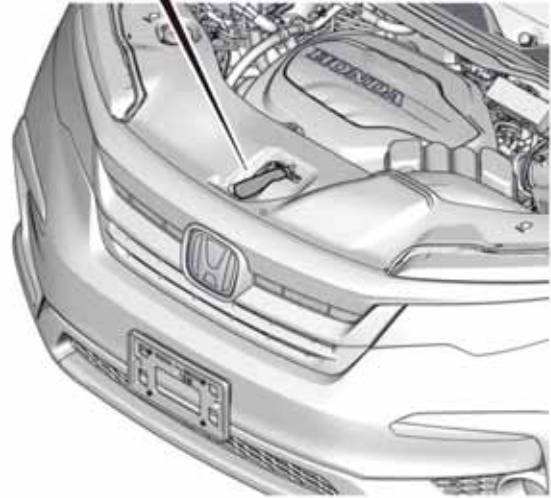
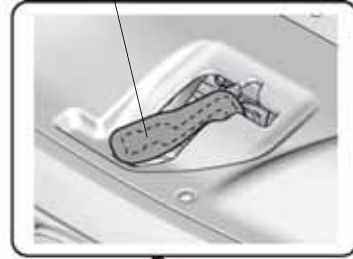


## INSTALLATION

**Customer Information:** The information in this installation instruction is intended for use only by skilled technicians who have the proper tools, equipment, and training to correctly and safely add equipment to your vehicle. These procedures should not be attempted by "do-it-yourselfers."

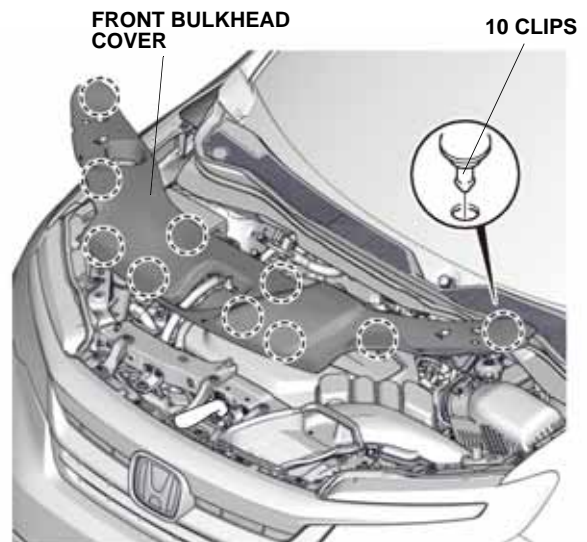
1. Disconnect the negative cable from the battery:
  - Wrap a shop towel around the hood latch.

HOOD LATCH  
(Wrap with a shop towel.)



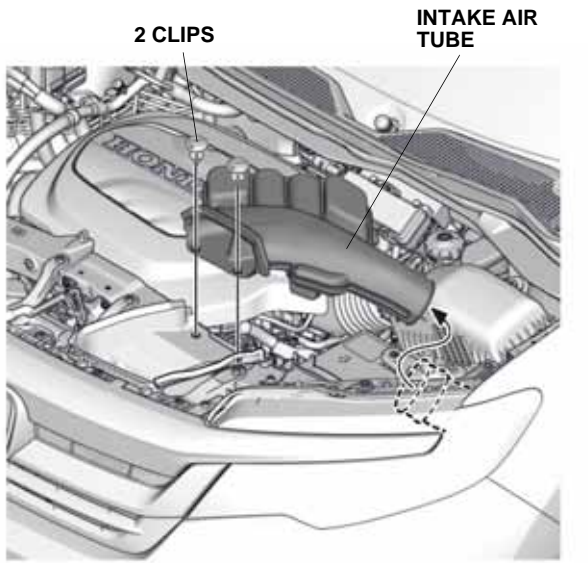
GH21201AB

- Remove the front bulkhead cover.



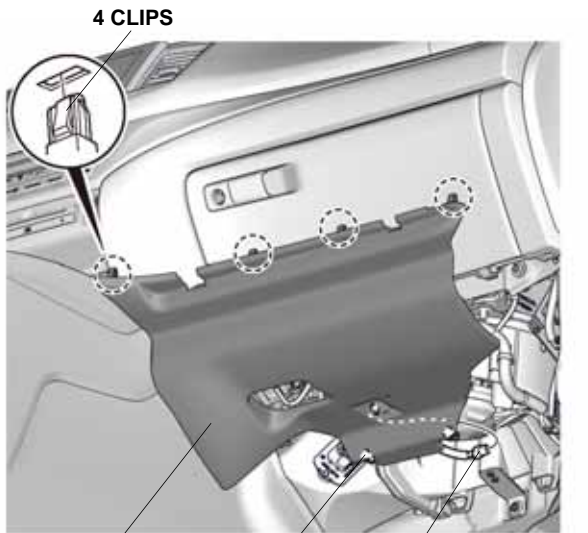
GH21202AB

- Remove the intake air tube.
- Disconnect the negative cable from the battery.



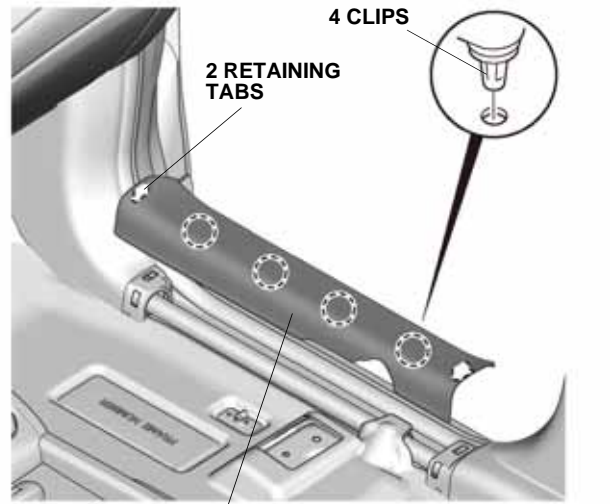
QH21203AB

2. Remove the passenger's dashboard under cover, and unplug the vehicle connector (if equipped).



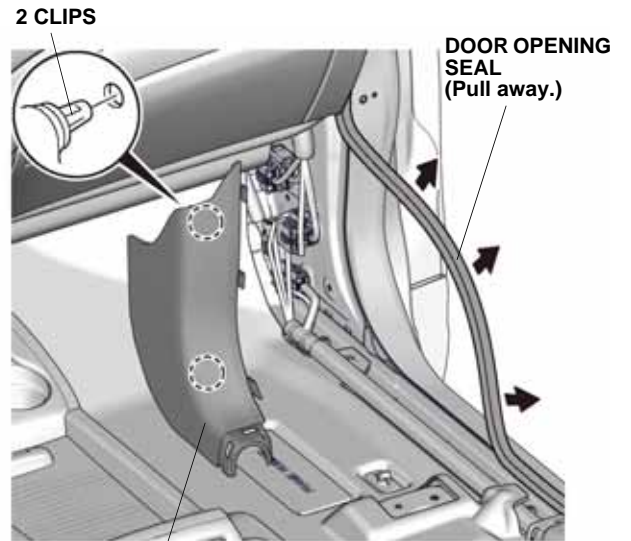
QDN2801AG

3. Remove the passenger's door sill trim.



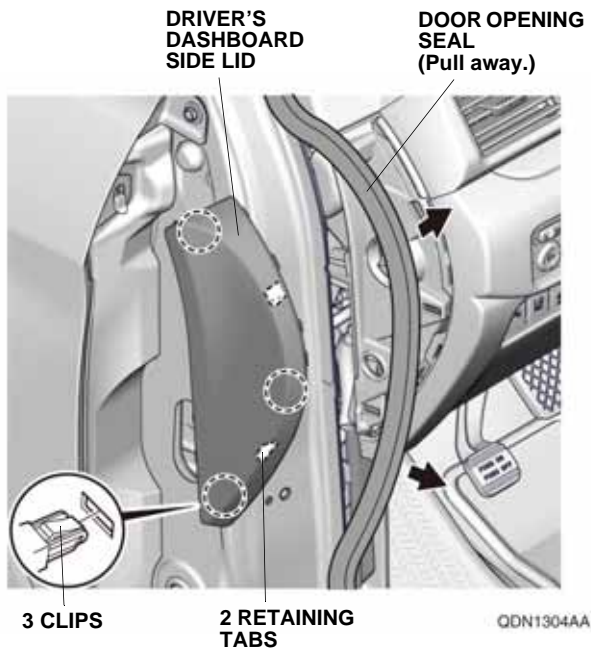
QDN2802AG

4. Pull away the door opening seal, and remove the passenger's kick panel.

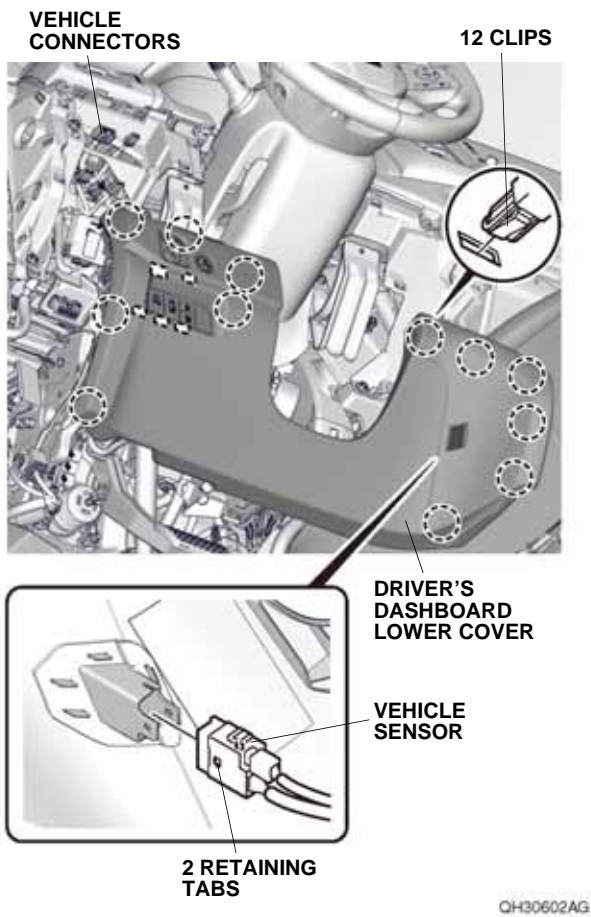


QDN2803AG

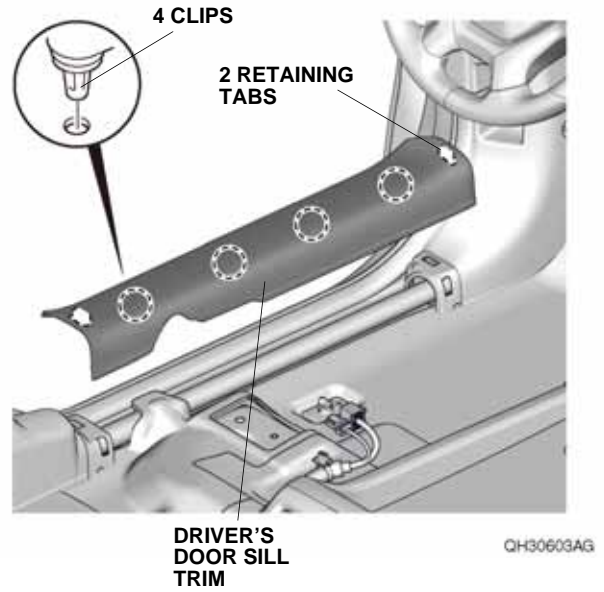
5. Pull away the door opening seal, and remove the driver's dashboard side lid.



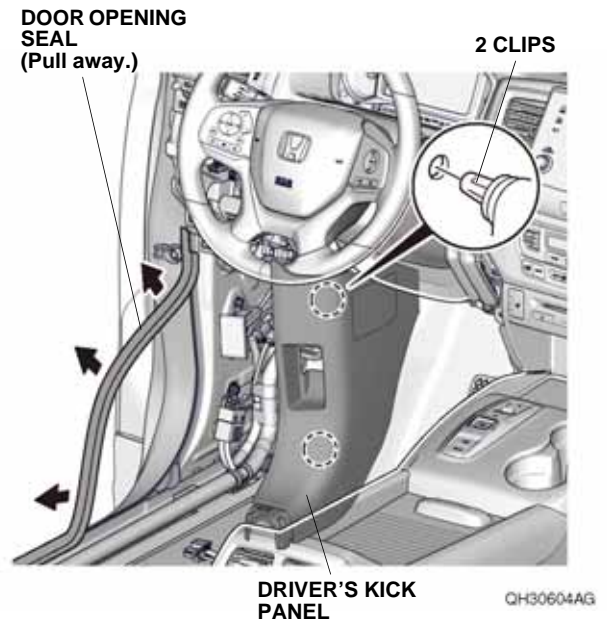
6. Remove the driver's dashboard lower cover, and unplug the vehicle connectors, and release the vehicle sensor.



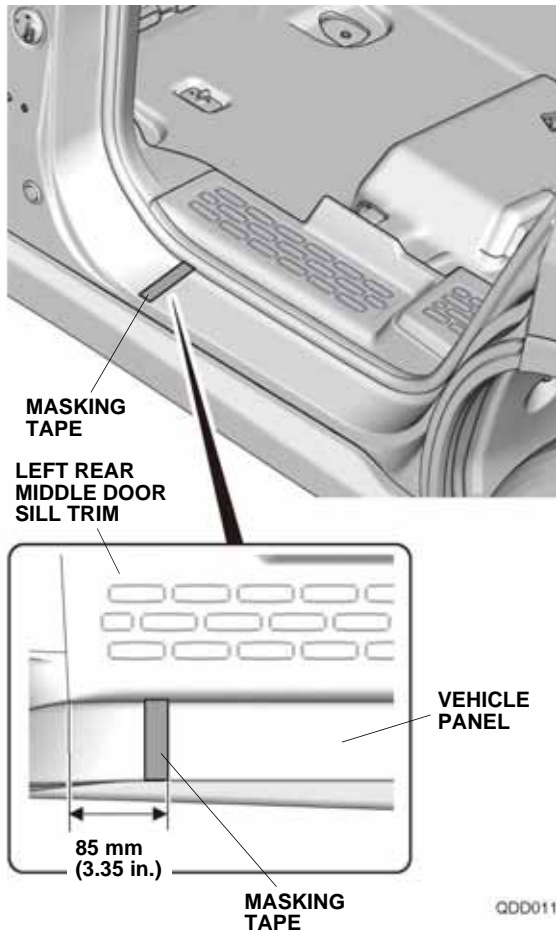
7. Remove the driver's door sill trim.



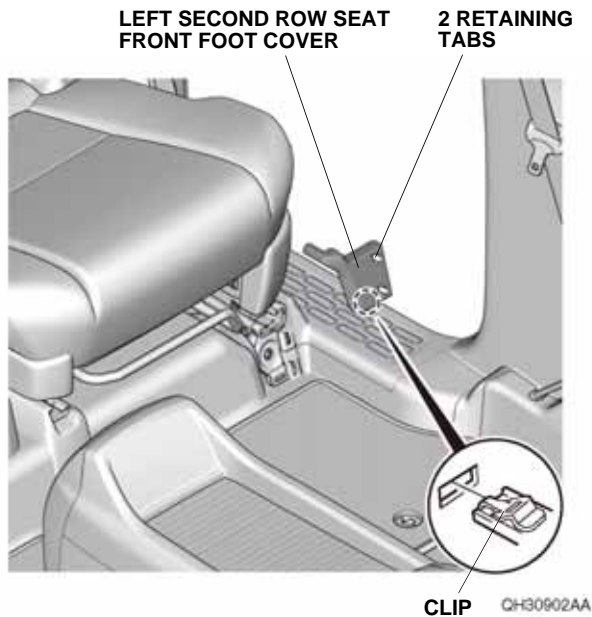
8. Pull away the door opening seal, and remove the driver's kick panel.



9. Attach a piece of masking tape to the vehicle panel as shown.



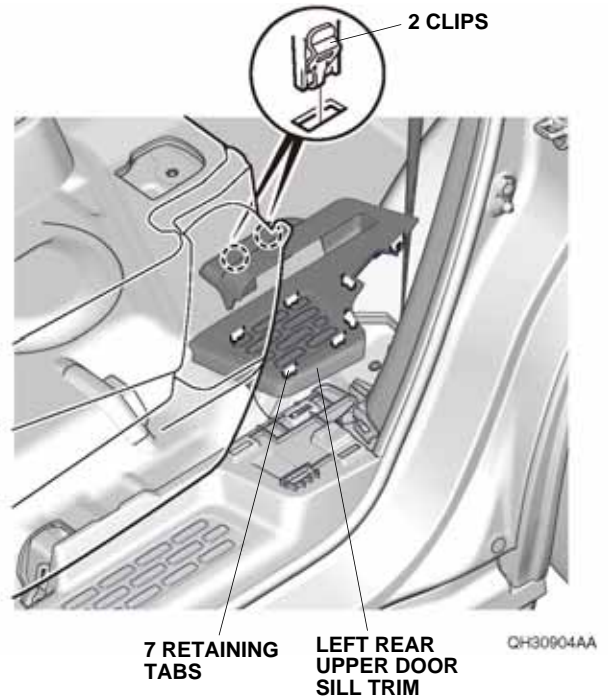
10. Remove the left second row seat front foot cover.



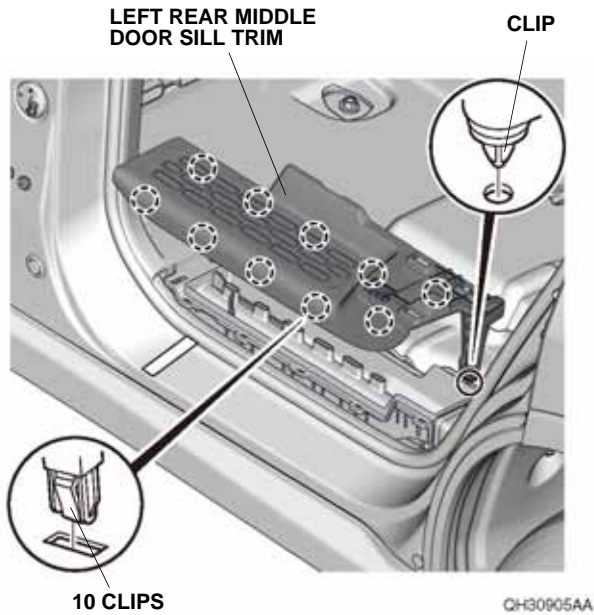
11. Fold down the left second row seat, and move it forward.



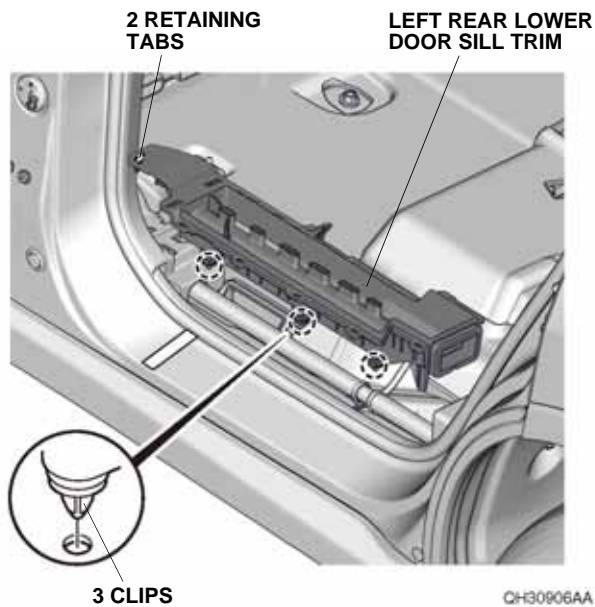
12. Remove the left rear upper door sill trim.



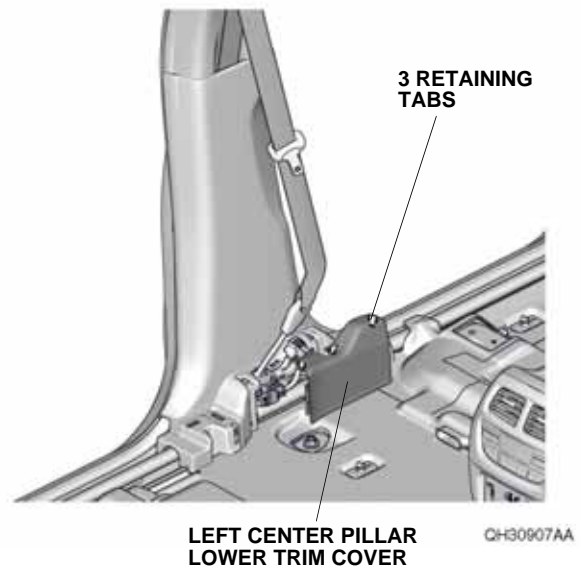
13. Remove the left rear middle door sill trim.



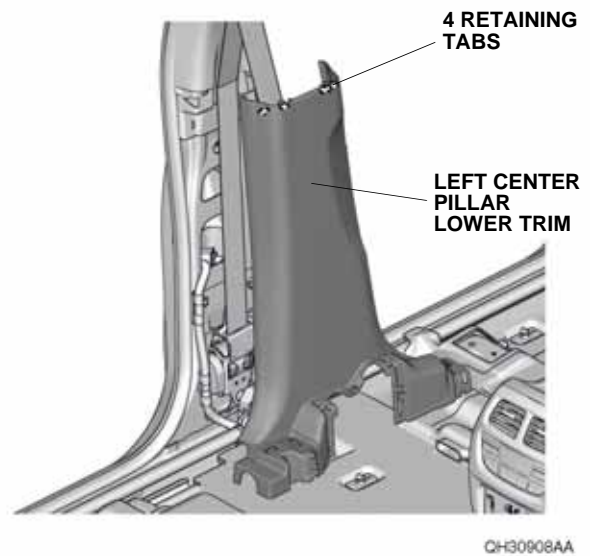
14. Remove the left rear lower door sill trim.



15. Remove the left center pillar lower trim cover.

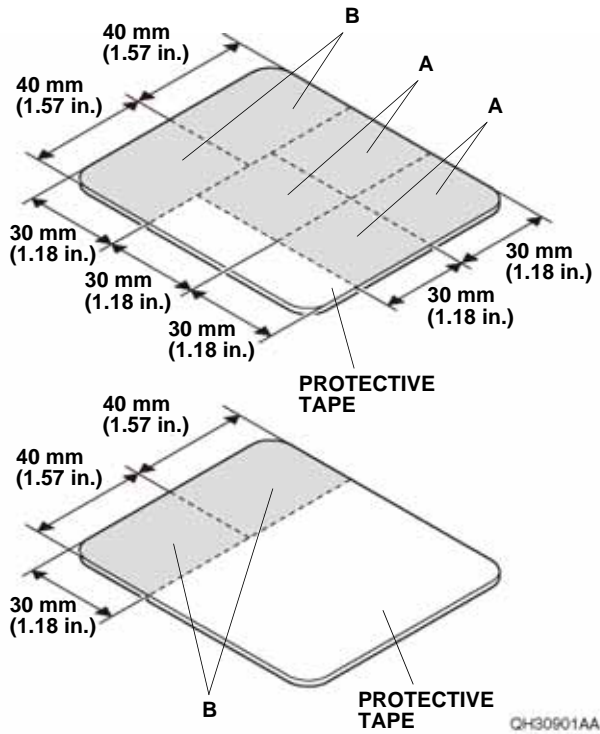


16. Remove the left center pillar lower trim.

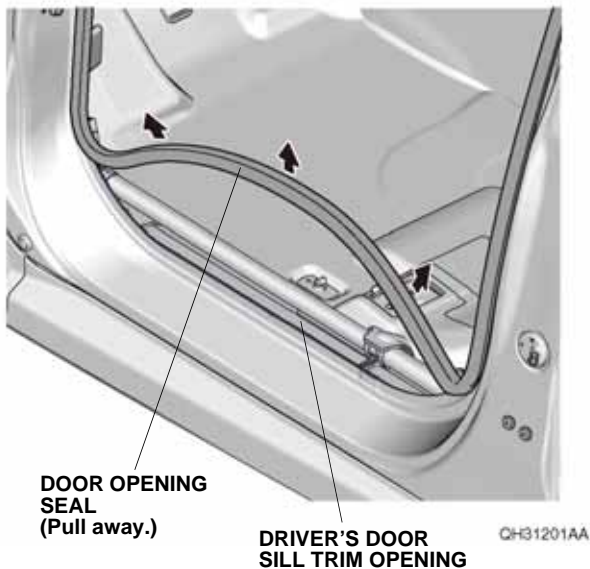


17. Repeat steps 9 through 16 on the right side of the vehicle.

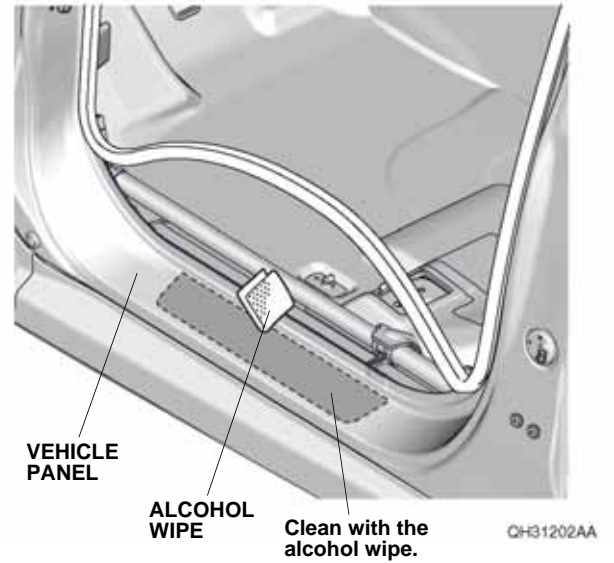
18. Using scissors, cut the protective tapes as shown.



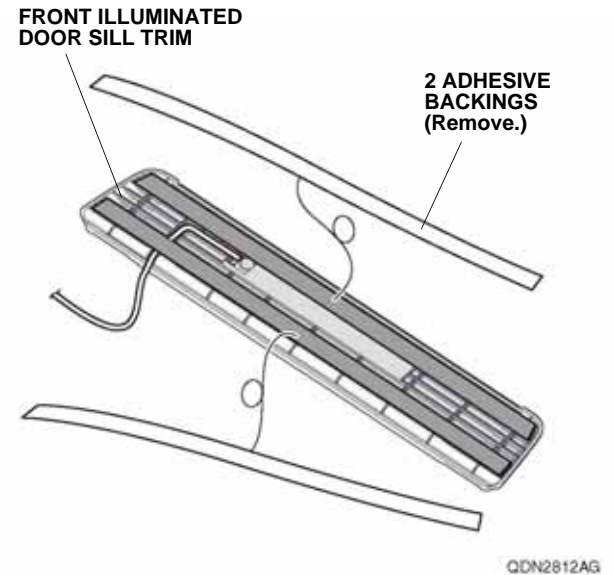
19. Pull away the door opening seal as shown.



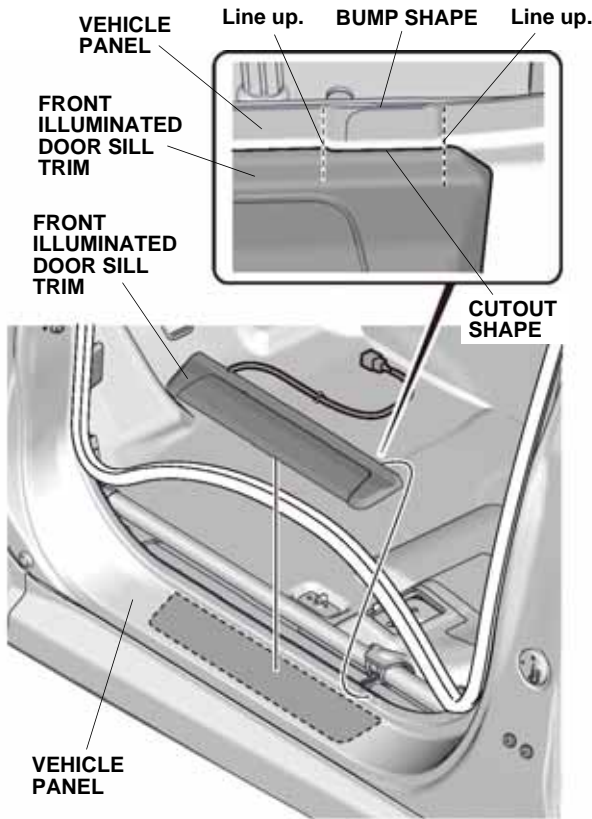
20. Using an alcohol wipe, thoroughly clean the vehicle panel where the front illuminated door sill trim will attach.



21. Remove the two adhesive backings from the front illuminated door sill trim.

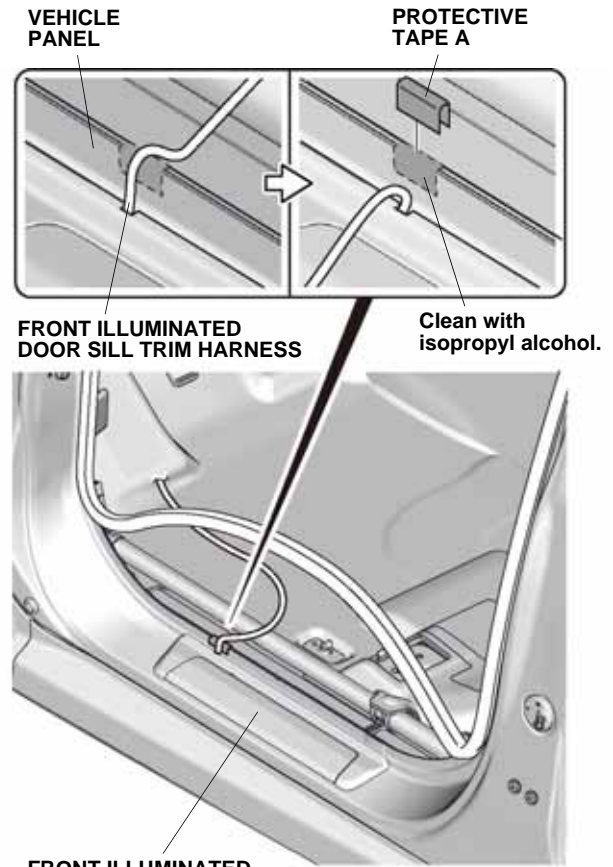


22. Line up the cutout shape on the front illuminated door sill trim with the bump shape on the vehicle panel. Press down firmly on the adhesive part of the front illuminated door sill trim firmly.



QH31203AA

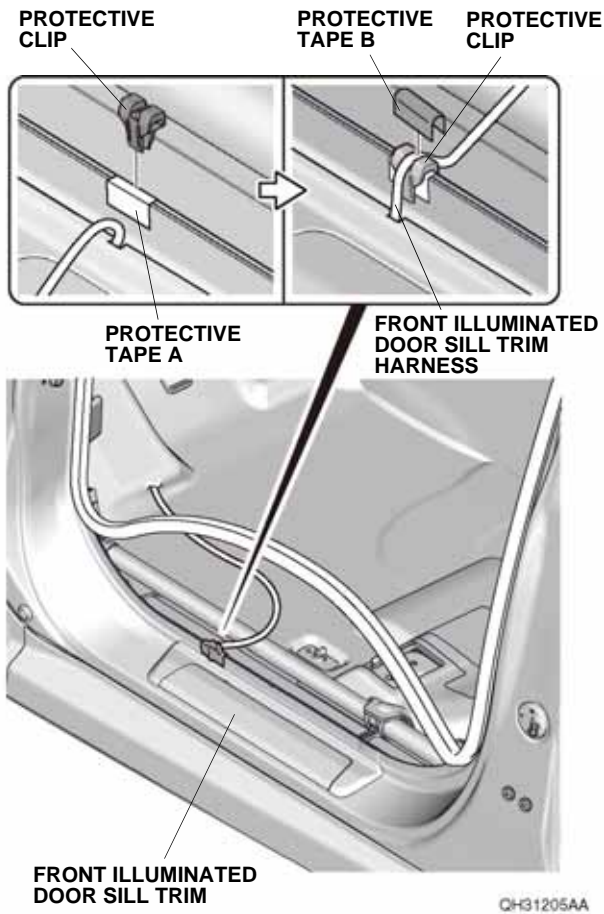
23. Using isopropyl alcohol on a shop towel, thoroughly clean the vehicle panel where the protective tape will attach. Attach one protective tape A to the vehicle panel as shown.



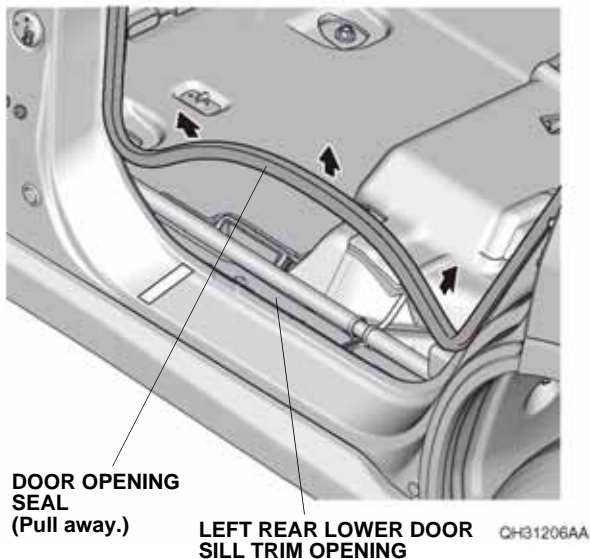
QH31204AA



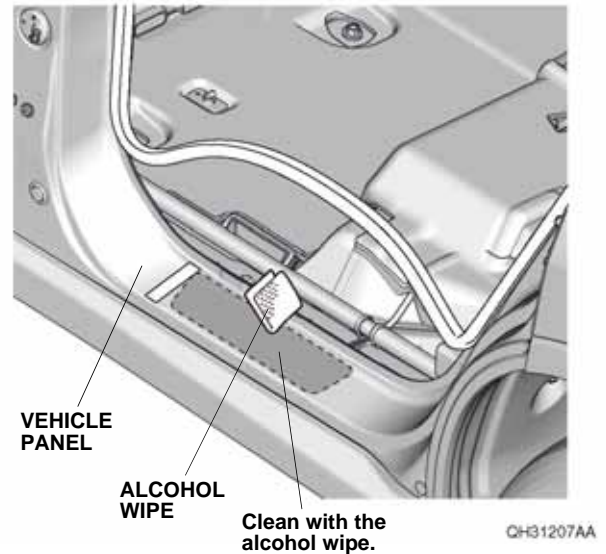
24. Install the protective clip to the protective tape A on the vehicle panel.



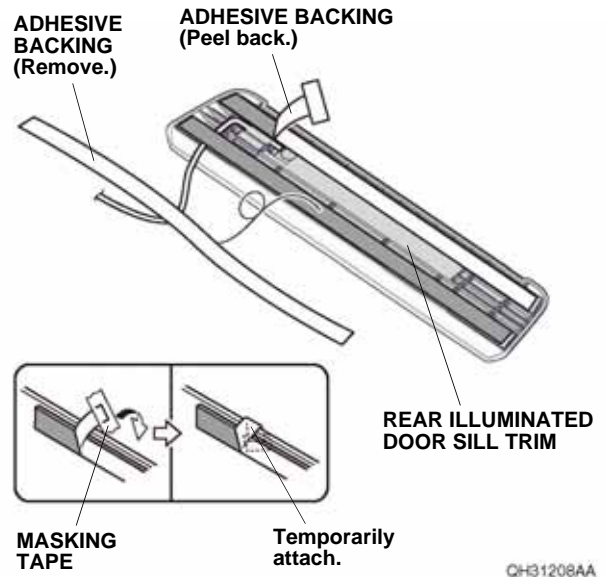
25. Line up and route the front illuminated door sill trim harness over the protective clip as shown.  
 26. Secure the front illuminated door sill trim harness to the protective clip with one protective tape B.  
 27. Pull away the door opening seal as shown.



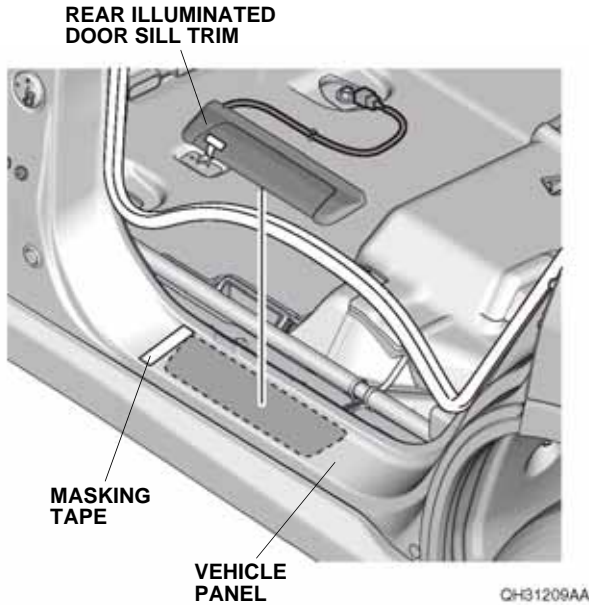
28. Using an alcohol wipe, thoroughly clean the vehicle panel where the rear illuminated door sill trim will attach.



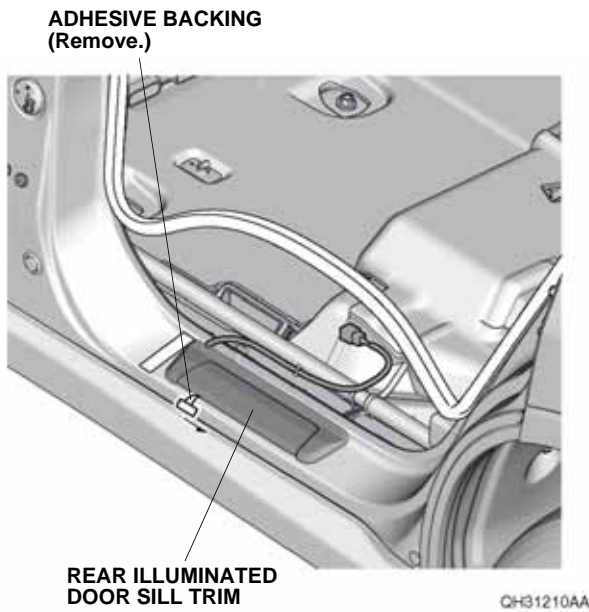
29. Peel back the adhesive backing, and tape it to the front surface of the rear illuminated door sill trim with masking tape. Remove the adhesive backing from the rear illuminated door sill trim.



30. Line up the rear illuminated door sill trim with the masking tape. Attach the rear illuminated door sill trim to the vehicle panel.

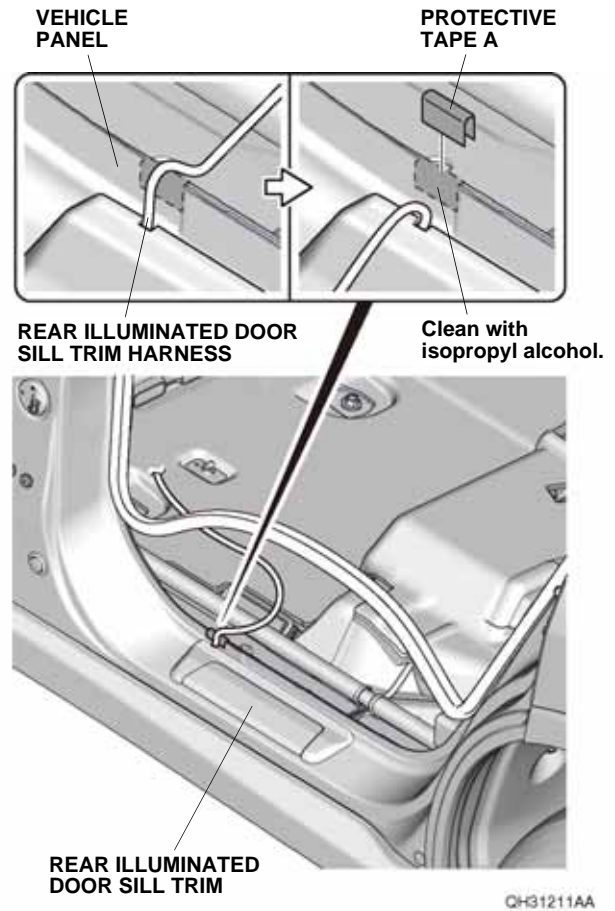


31. While applying light pressure against the rear illuminated door sill trim, carefully remove the taped adhesive backing.

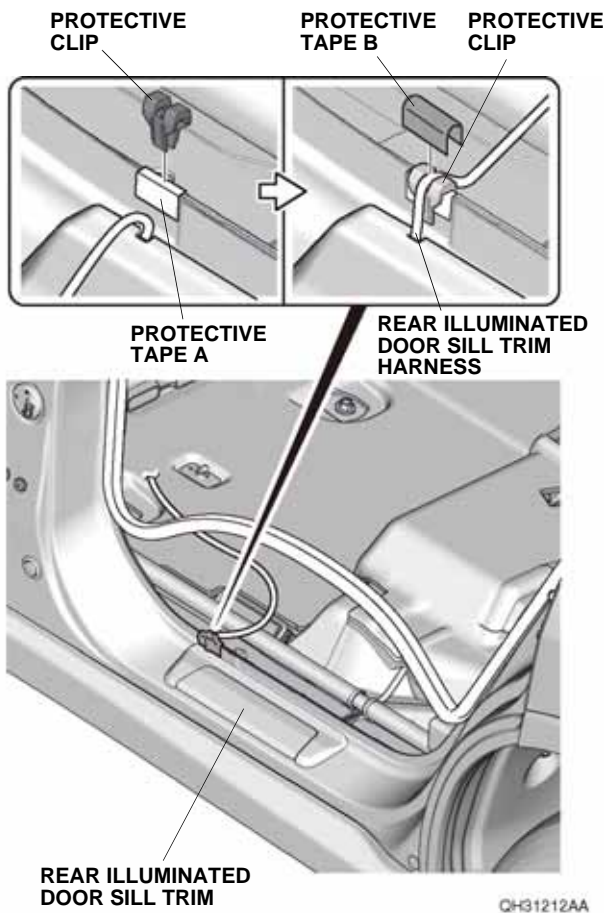


32. Using the palm of your hand, firmly press the rear illuminated door sill trim against the vehicle panel.
33. Remove the masking tape.

34. Using isopropyl alcohol on a shop towel, thoroughly clean the vehicle panel where the protective tape will attach. Attach one protective tape A to the vehicle panel as shown.

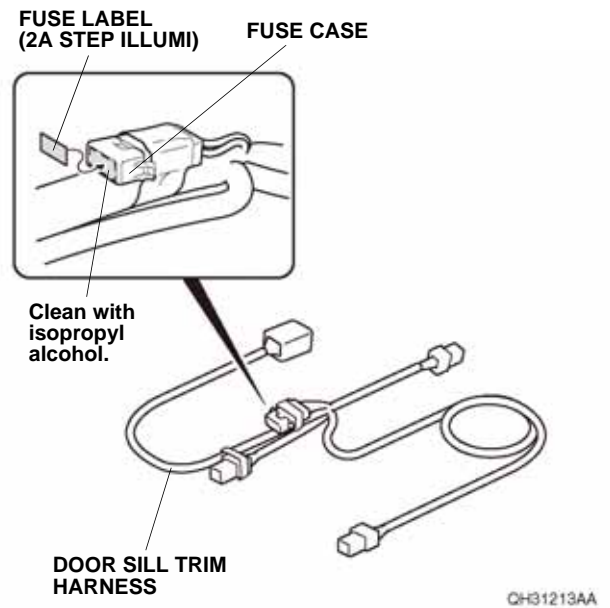


35. Install the protective clip to the protective tape A on the vehicle panel.



36. Line up and route the rear illuminated door sill trim harness over the protective clip as shown.
37. Secure the rear illuminated door sill trim harness to the protective clip with one protective tape B.
38. Repeat steps 19 through 37 on the right side of the vehicle.

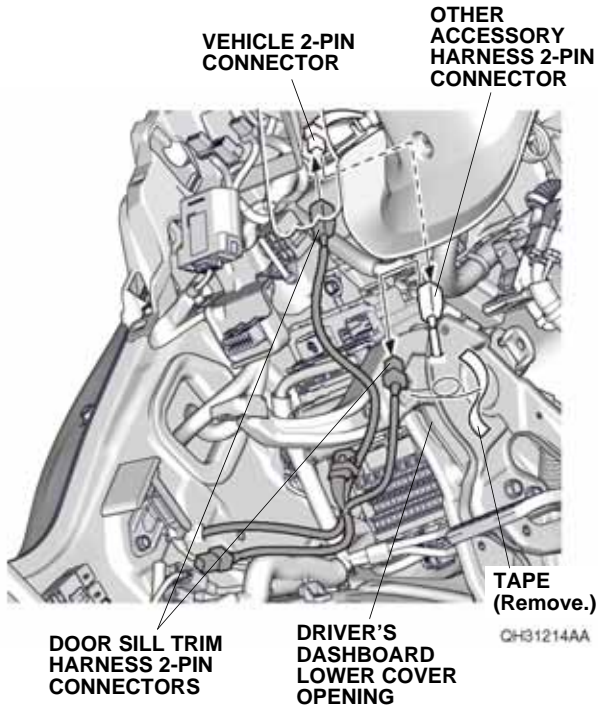
39. Using isopropyl alcohol on a shop towel, thoroughly clean the fuse case where the fuse label will attach. Attach the fuse label (2A STEP ILLUMI) to the fuse case on the door sill trim harness. Repeat on the remaining door sill trim harness.



If the vehicle is equipped with another accessory harness, continue with step 40; otherwise, go to step 42.

## With another accessory harness

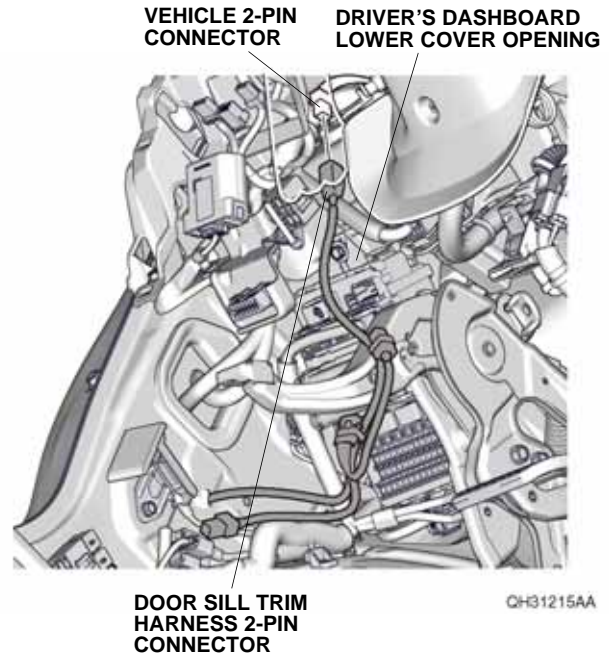
40. Unplug the other accessory harness 2-pin connector, and plug the vehicle 2-pin connector into the door sill trim harness 2-pin connector.



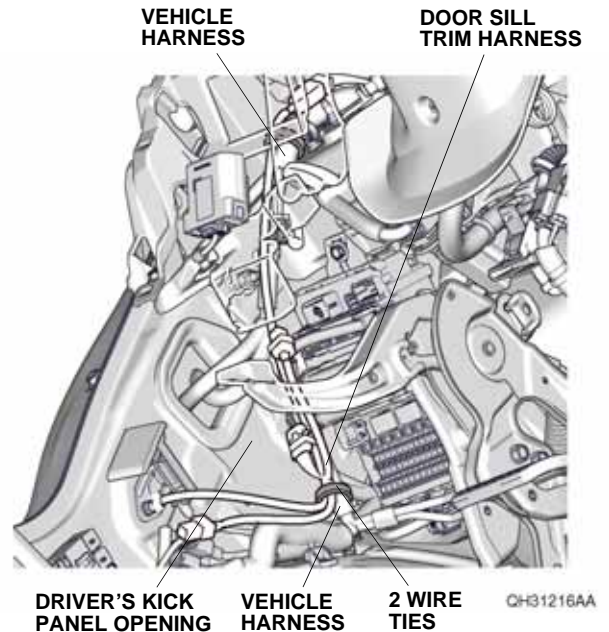
41. Remove the tape to free the door sill trim harness 2-pin connector, and plug it into the other accessory harness 2-pin connector. Go to step 43.

## Without another accessory harness

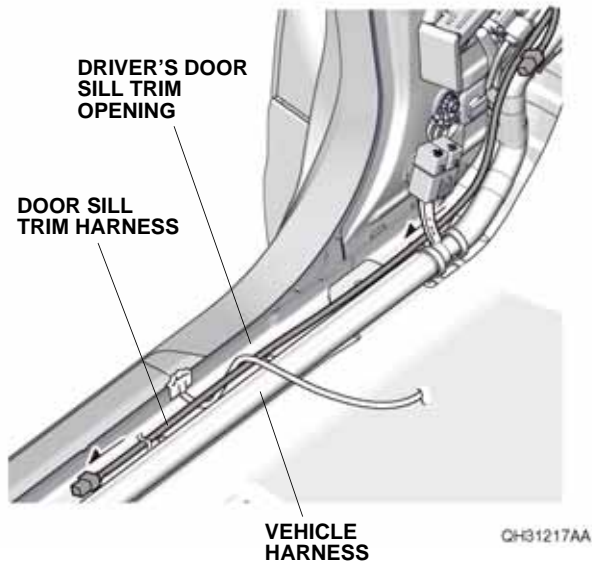
42. Plug the vehicle 2-pin connector into the door sill trim harness 2-pin connector.



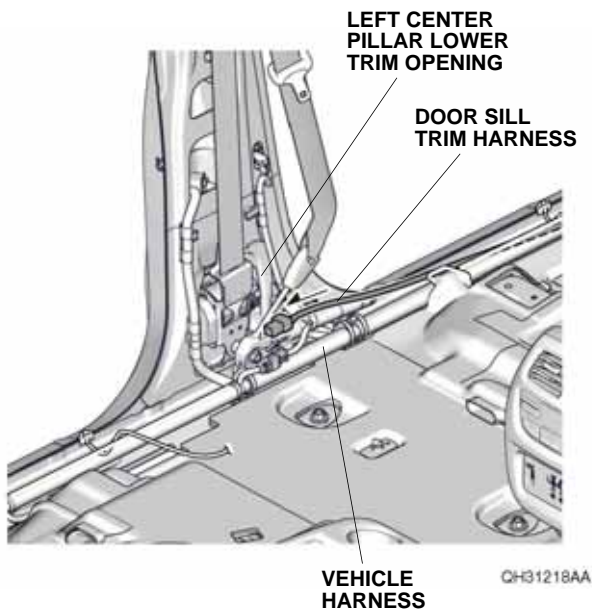
43. Secure the door sill trim harness to the vehicle harness with two wire ties.



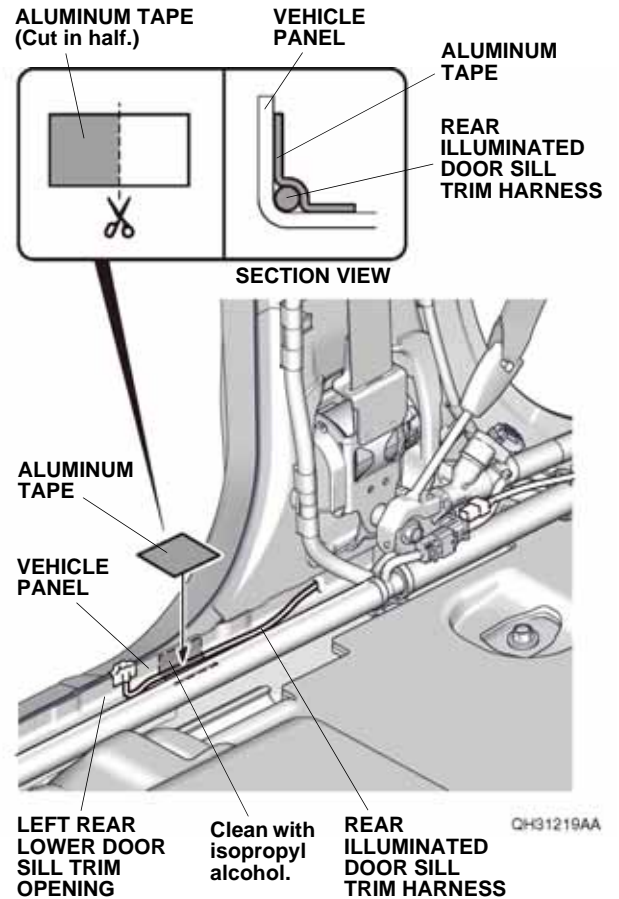
44. Route the door sill trim harness along the vehicle harness.



45. Route the door sill trim harness along the vehicle harness.

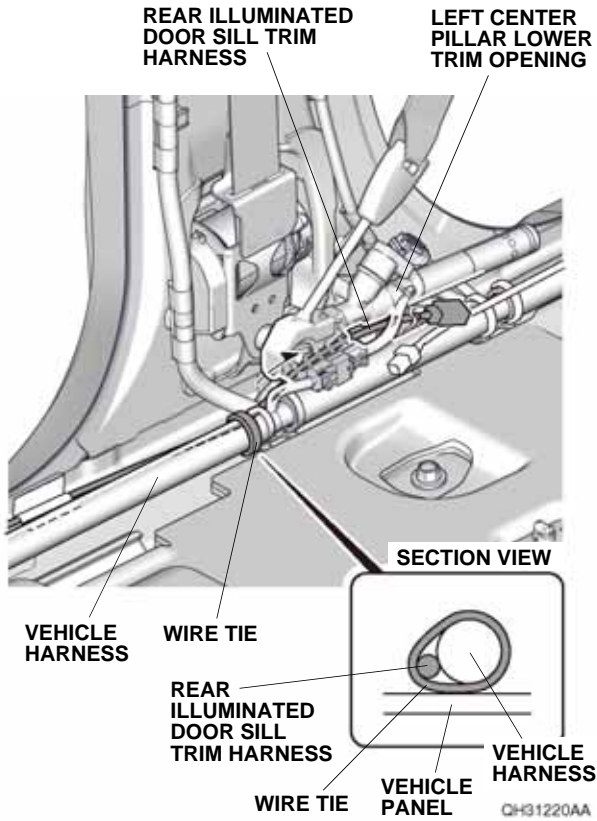


46. Using isopropyl alcohol on a shop towel, thoroughly clean the vehicle panel where the aluminum tape will attach.

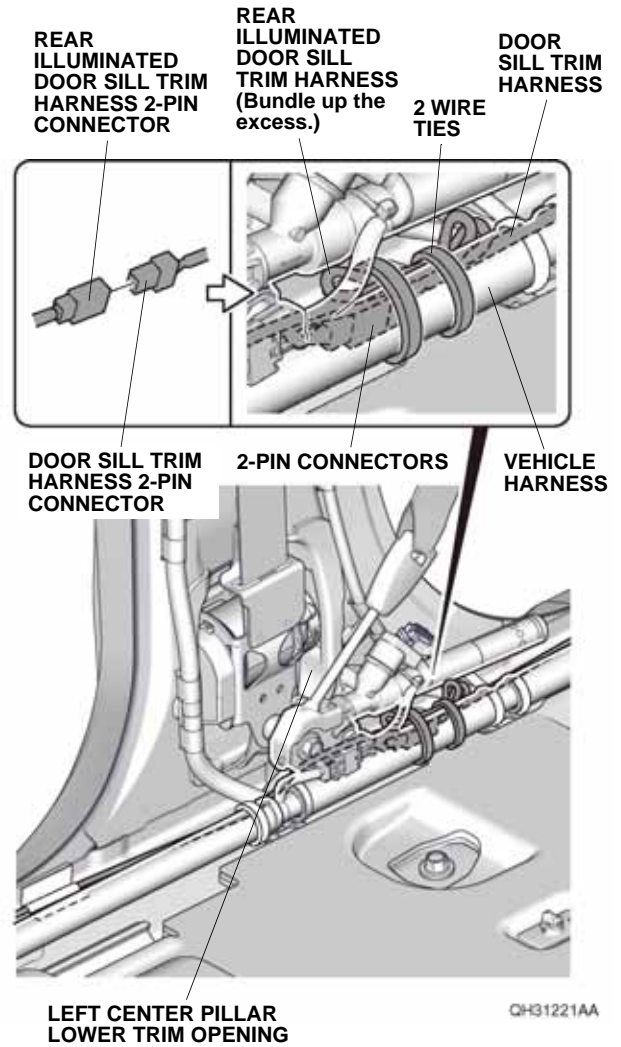


47. Using scissors, cut one aluminum tape in half, and secure the rear illuminated door sill trim harness to the vehicle panel with one piece of aluminum tape as shown.

48. Route the rear illuminated door sill trim harness along the vehicle harness, and secure it to the vehicle harness with one wire tie as shown.

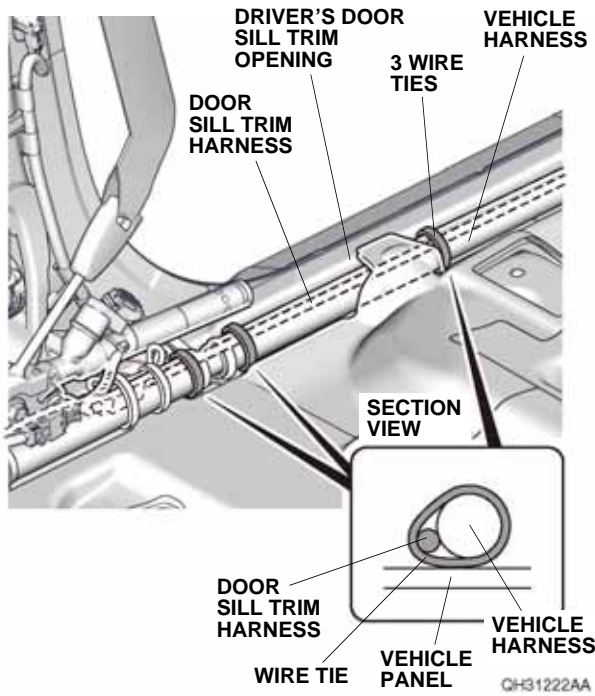


49. Plug the door sill trim harness 2-pin connector into the rear illuminated door sill trim harness 2-pin connector.

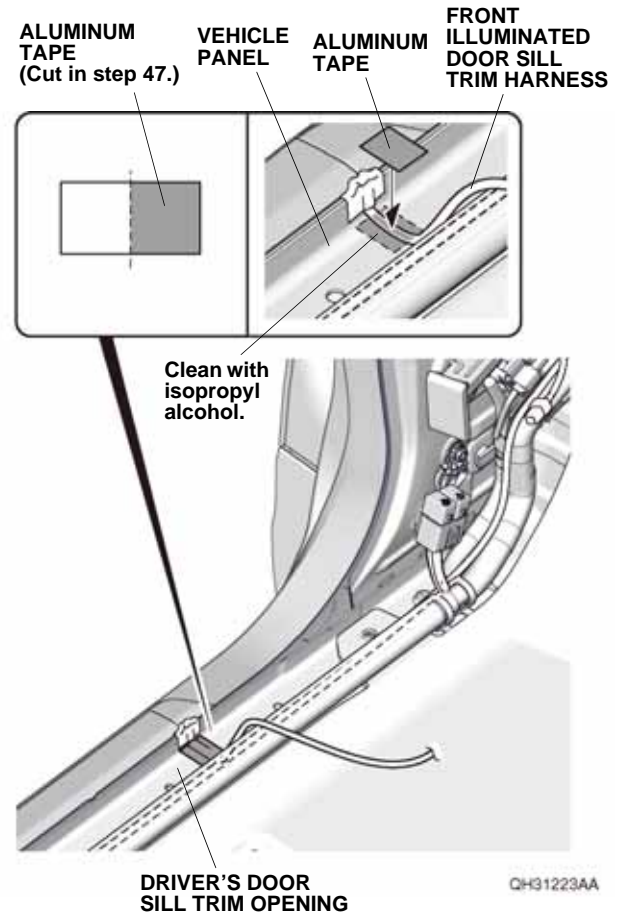


50. Bundle up the excess rear illuminated door sill trim harness, and secure it and the 2-pin connectors to the vehicle harness with two wire ties as shown.

51. Secure the door sill trim harness to the vehicle harness with three wire ties as shown.

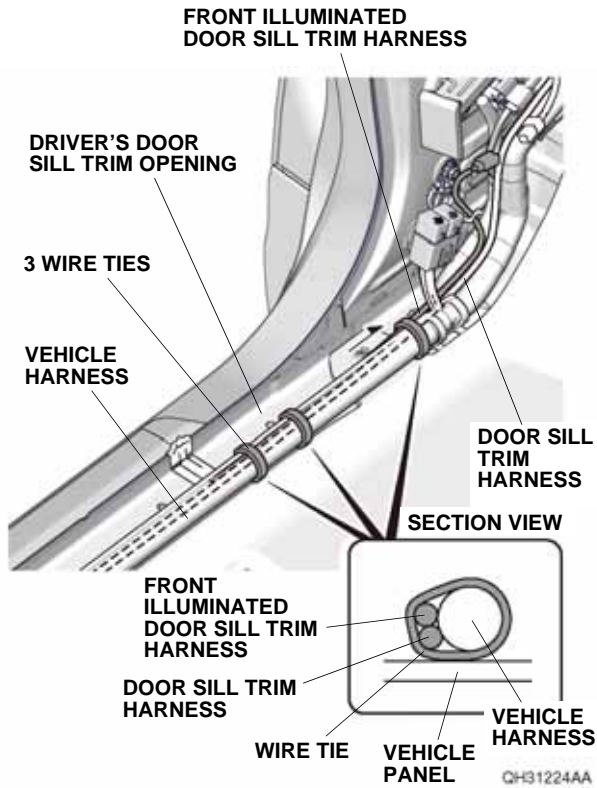


52. Using isopropyl alcohol on a shop towel, thoroughly clean the vehicle panel where the aluminum tape will attach.

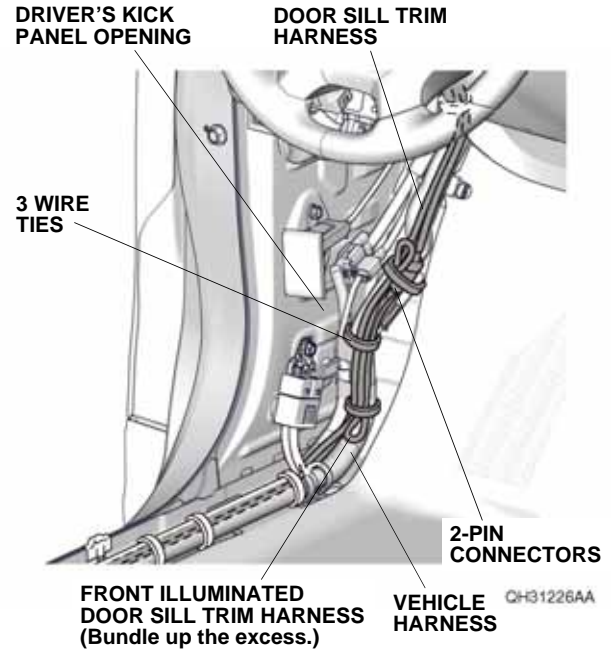


53. Secure the front illuminated door sill trim harness to the vehicle panel with one piece of aluminum tape cut in step 47.

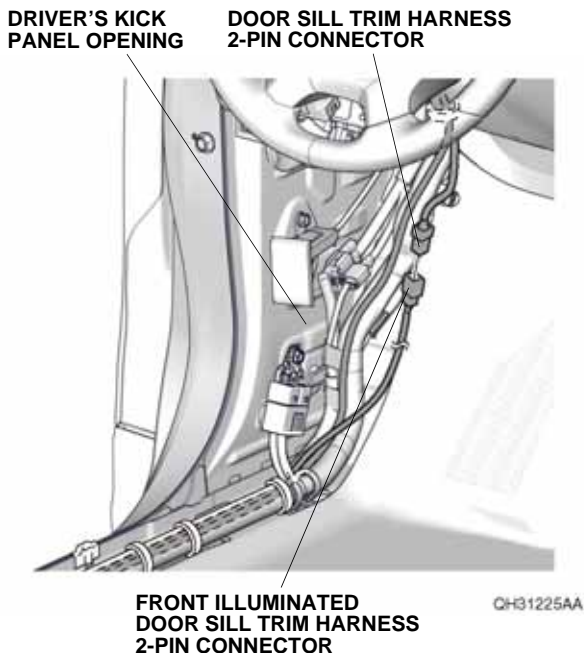
54. Route the front illuminated door sill trim harness along the vehicle harness, and secure it and door sill trim harness to the vehicle harness with three wire ties as shown.



56. Bundle up the excess front illuminated door sill trim harness, and secure it and the 2-pin connectors to the vehicle harness with three wire ties as shown.



55. Plug the door sill trim harness 2-pin connector into the front illuminated door sill trim harness 2-pin connector.

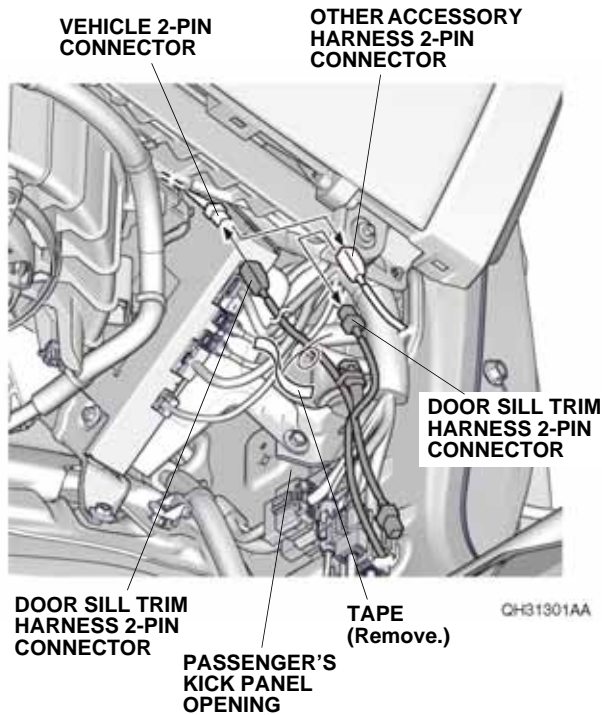




If the vehicle is equipped with another accessory harness, continue with step 57; otherwise, go to step 61.

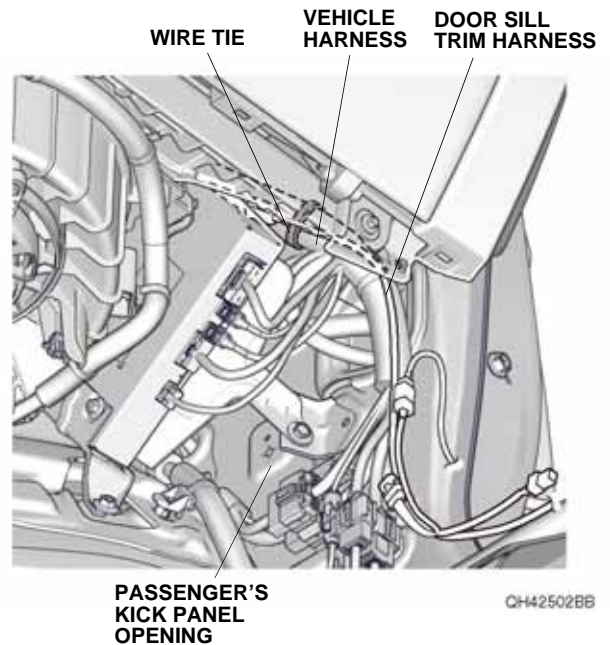
### With another accessory harness

57. Unplug the other accessory harness 2-pin connector, and plug the vehicle 2-pin connector into the door sill trim harness 2-pin connector.

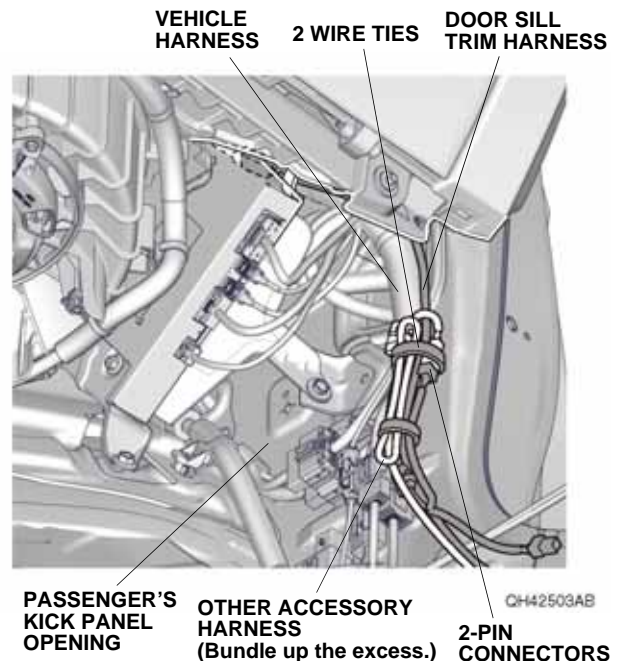


58. Remove the tape to free the door sill trim harness 2-pin connector, and plug it into the other accessory harness 2-pin connector.

59. Secure the door sill trim harness to the vehicle harness with one wire tie.

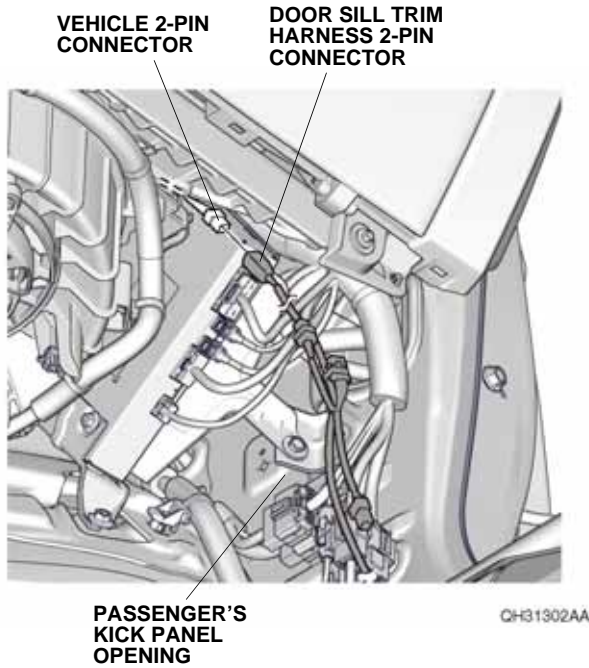


60. Bundle up the excess other accessory harness, and secure it and the 2-pin connectors to the vehicle harness with two wire ties as shown. Go to step 63.

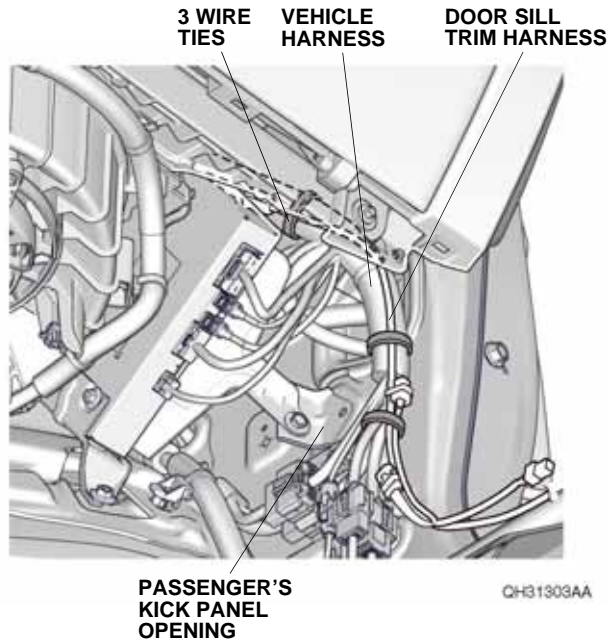


## Without another accessory harness

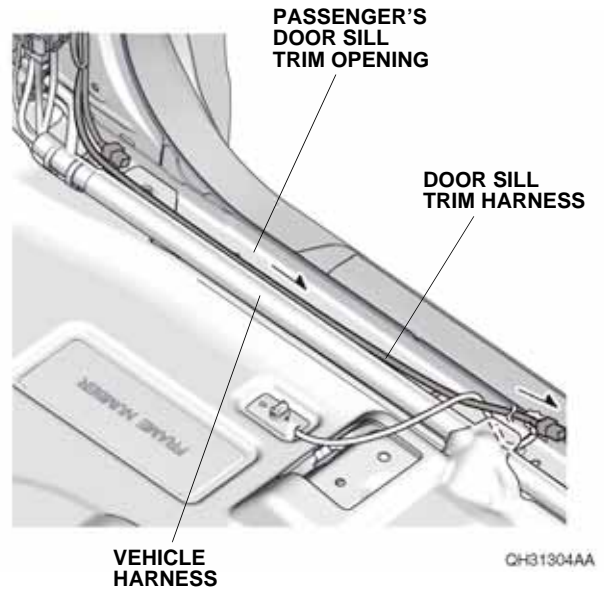
61. Plug the vehicle 2-pin connector into the door sill trim harness 2-pin connector.



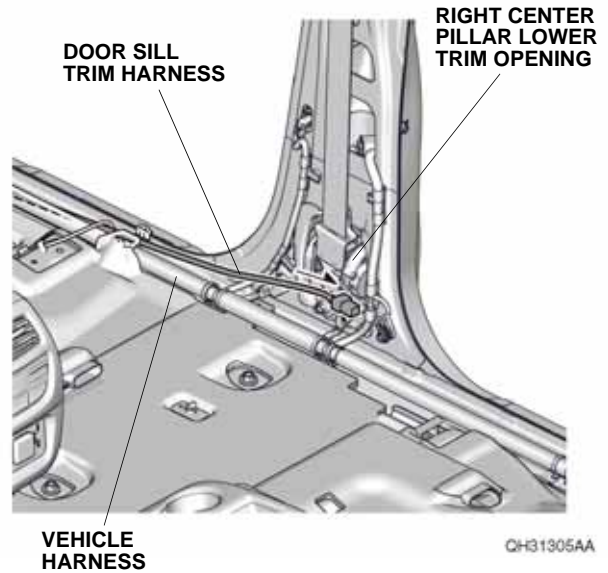
62. Secure the door sill trim harness to the vehicle harness with three wire ties.



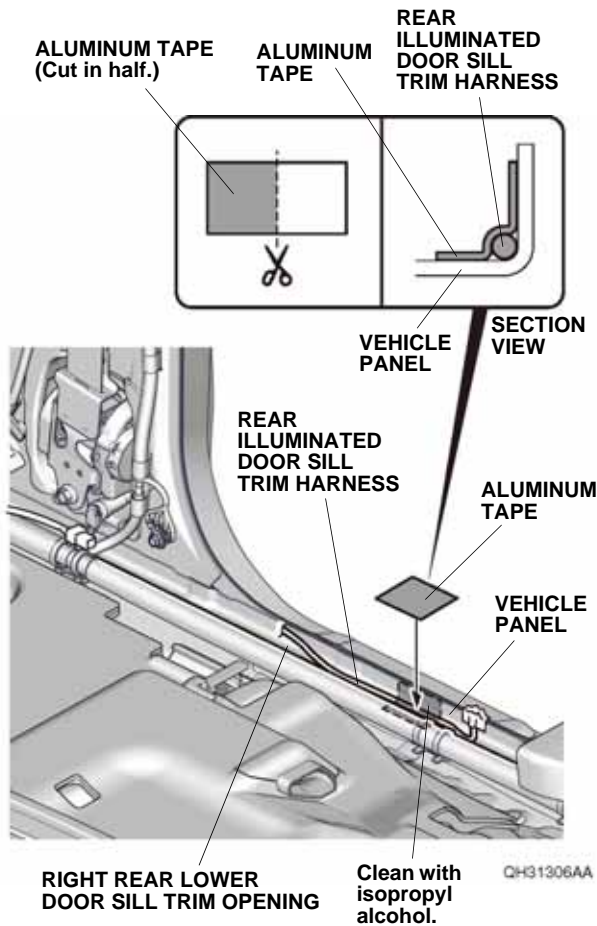
63. Route the door sill trim harness along the vehicle harness.



64. Route the door sill trim harness along the vehicle harness.

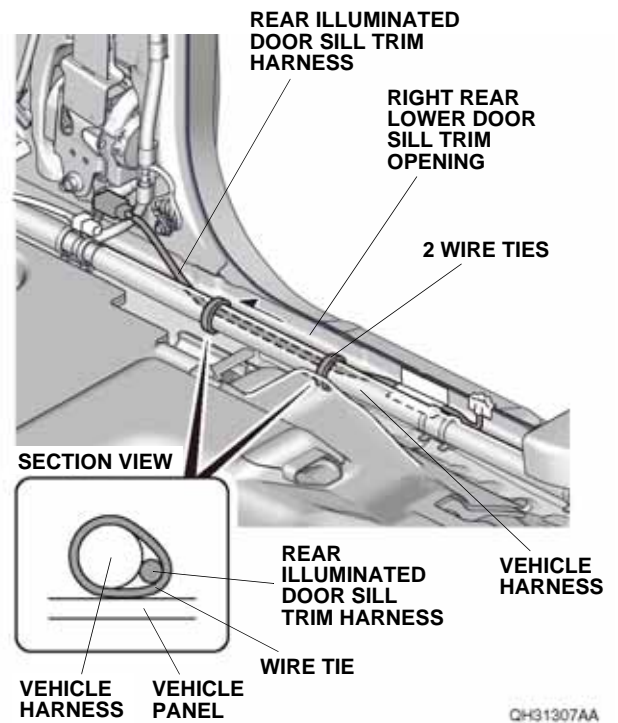


65. Using isopropyl alcohol on a shop towel, thoroughly clean the vehicle panel where the aluminum tape will attach.

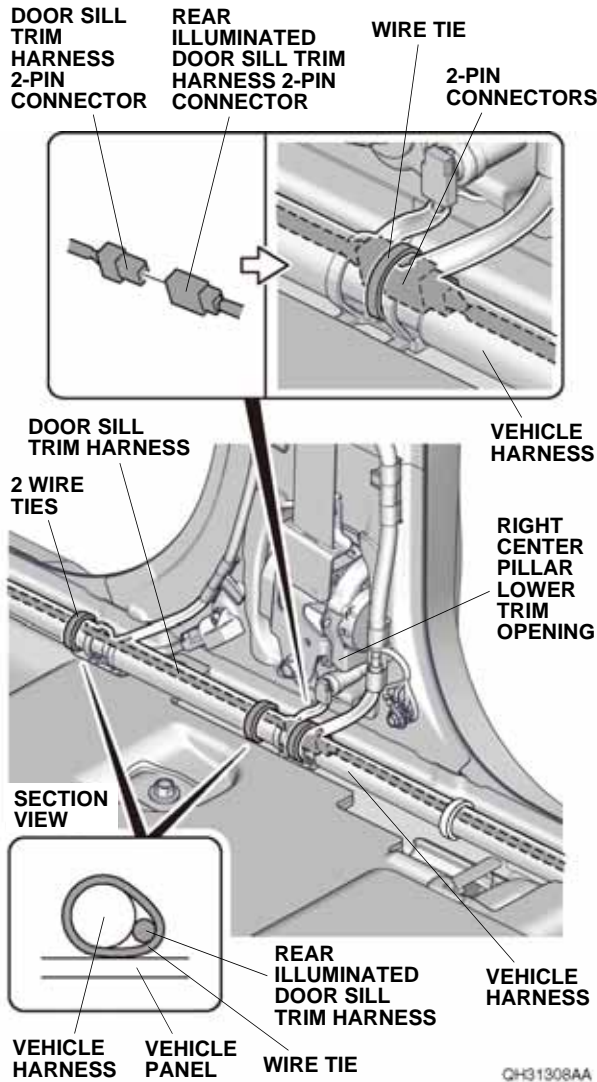


66. Using scissors, cut one aluminum tape in half, and secure the rear illuminated door sill trim harness to the vehicle panel with one piece of aluminum tape as shown.

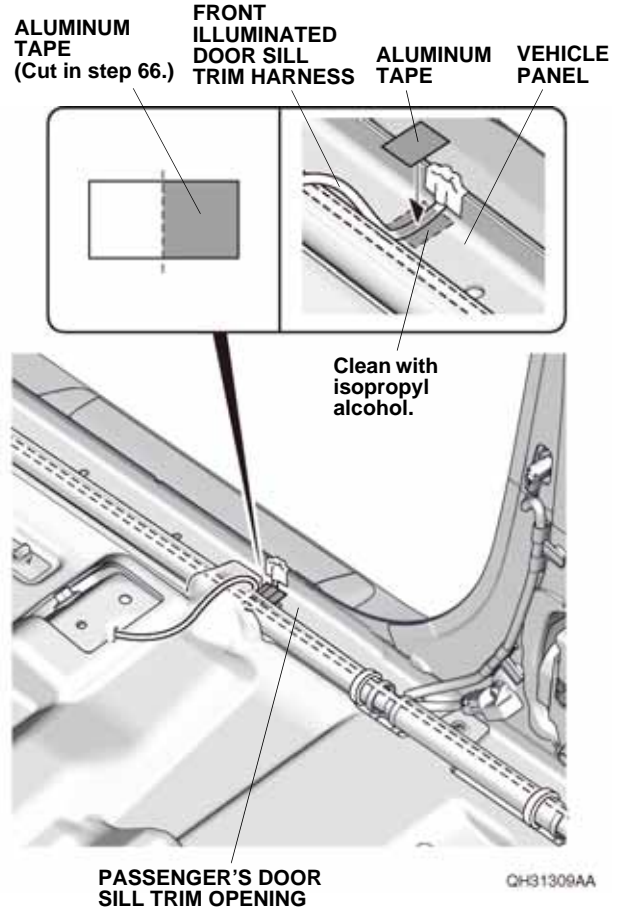
67. Route the rear illuminated door sill trim harness along the vehicle harness, and secure it to the vehicle harness with two wire ties as shown.



68. Plug the door sill trim harness 2-pin connector into the rear illuminated door sill trim harness 2-pin connector, and secure the 2-pin connectors and door sill trim harness to the vehicle harness with three wire ties as shown.

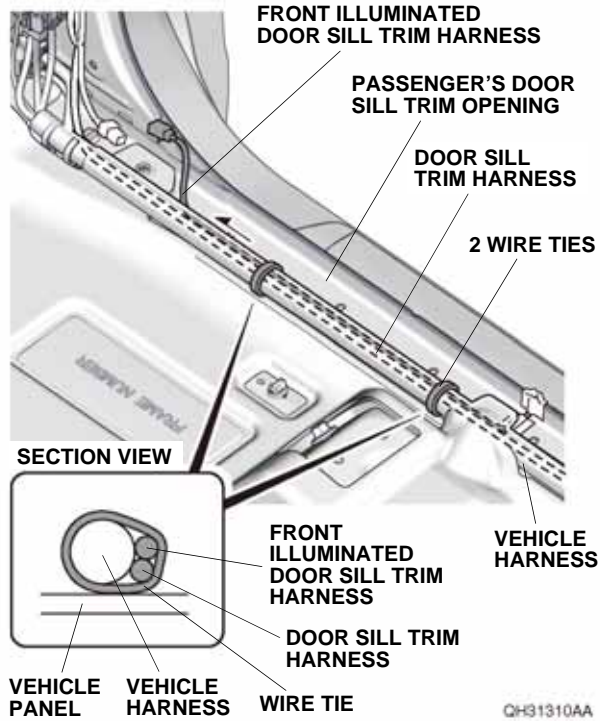


69. Using isopropyl alcohol on a shop towel, thoroughly clean the vehicle panel where the aluminum tape will attach.

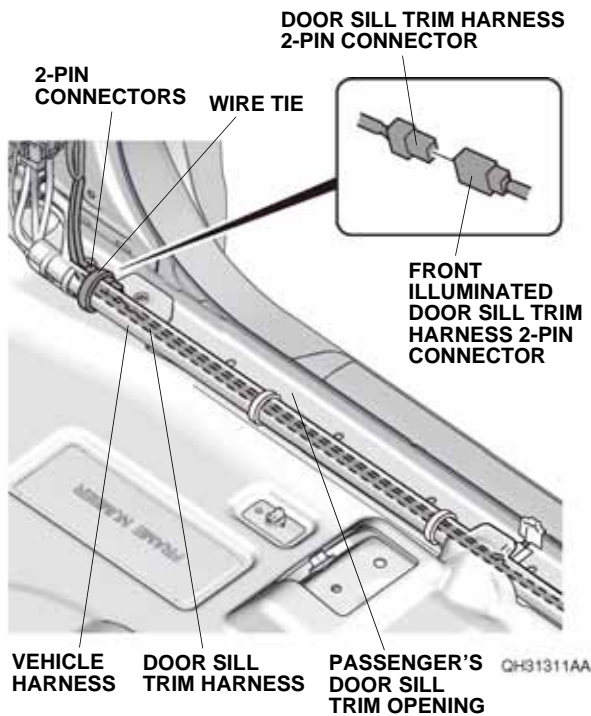


70. Secure the front illuminated door sill trim harness to the vehicle panel with one piece of aluminum tape cut in step 66.

71. Route the front illuminated door sill trim harness along the vehicle harness, and secure it and door sill trim harness to the vehicle harness with two wire ties as shown.



72. Plug the door sill trim harness 2-pin connector into the front illuminated door sill trim harness 2-pin connector, and secure the 2-pin connectors and door sill trim harness to the vehicle harness with one wire tie.



73. Check that all wire harnesses are routed properly and all connectors are plugged in.
74. Install all removed parts except for the front bulkhead cover and the intake air tube.
75. Connect the negative cable to the battery.
76. Install the front bulkhead cover and the intake air tube.
77. Press and hold the audio unit power button for 2 seconds to restore the audio and navi (if equipped) system functions.
78. Set the clock on vehicles without navigation.
79. If necessary, restore the system back to normal operation as described in the service information.

### Check the Operation of the Illuminated Door Sill Trims

80. Make sure the lights come on when you open each door.