



## INSTALLATION INSTRUCTIONS

Accessory  
DOOR SILL  
PROTECTION FILMS  
P/N 08P04-TLA-100

Application  
2021 CR-V

Publications No.  
**VERSION 1**  
Issue Date  
**OCT 2020**

### PARTS LIST

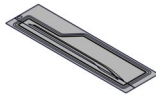
Left front door sill protection film  
(Identification mark: FR-L)



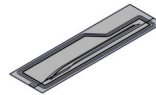
Right front door sill protection film  
(Identification mark: FR-R)



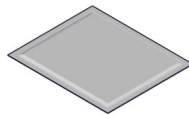
Left rear door sill protection film  
(Identification mark: RR-L)



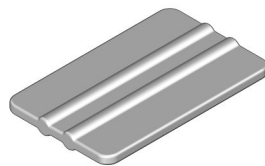
Right rear door sill protection film  
(Identification mark: RR-R)



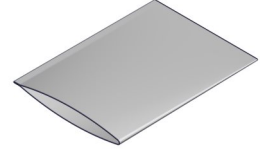
4 Alcohol wipes



Applicator



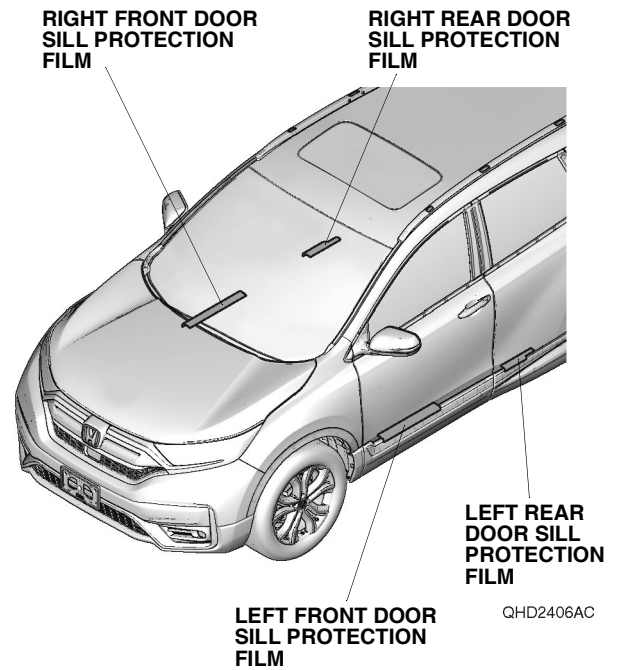
Felt sleeve



### TOOLS AND SUPPLIES REQUIRED

- Shop towel
- Spray bottle
- 3M protective tape application solution
- Masking tape
- Ruler
- Gloves

### Illustration of the Door Sill Protection Films Installed on the Vehicle



## INSTALLATION

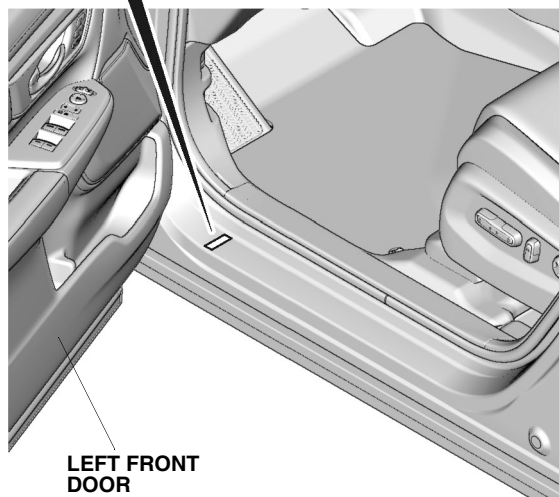
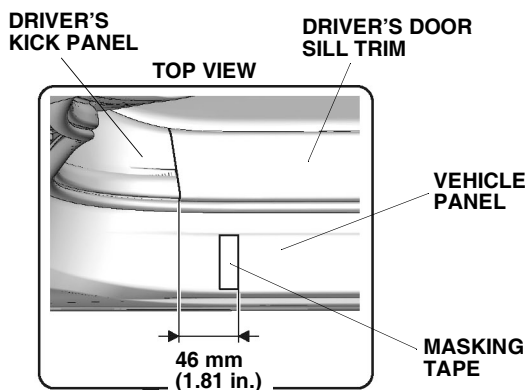
**Customer Information:** The information in this installation instruction is intended for use only by skilled technicians who have the proper tools, equipment, and training to correctly and safely add equipment to your vehicle. These procedures should not be attempted by “do-it-yourselfers.”

### NOTE:

- Always wear gloves when working with 3M Protective tape application solution.
- Be careful not to damage the body paint finish.
- This kit should only be installed if the ambient air temperature is 60°F (15°C) or above.
- To allow the adhesive to cure, do not wash the vehicle for 24 hours. Make sure the customer is aware of this.

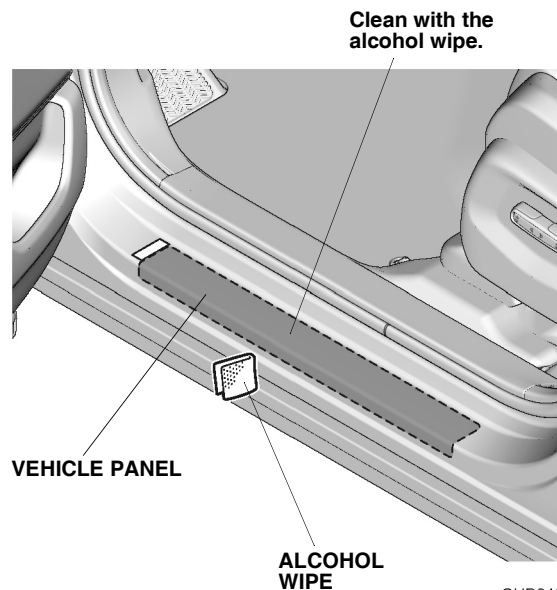
### Installing the Door Sill Protection Films

1. Open the left front door. Measure and attach a piece of masking tape to the vehicle panel as shown.



QHD2407AC

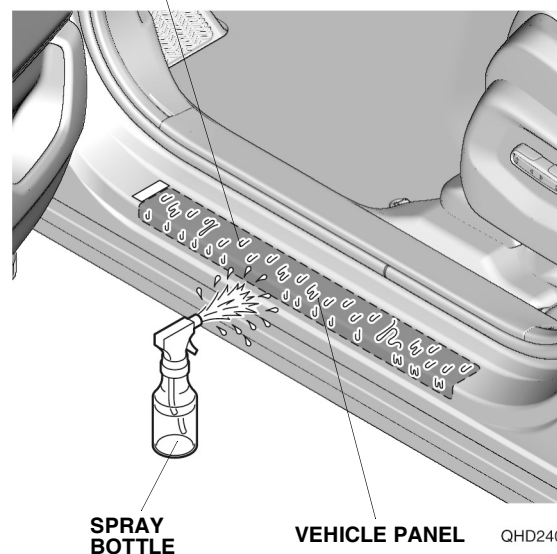
2. Using the alcohol wipe, thoroughly clean the vehicle panel where the left front door sill protection film will attach.



QHD2408AC

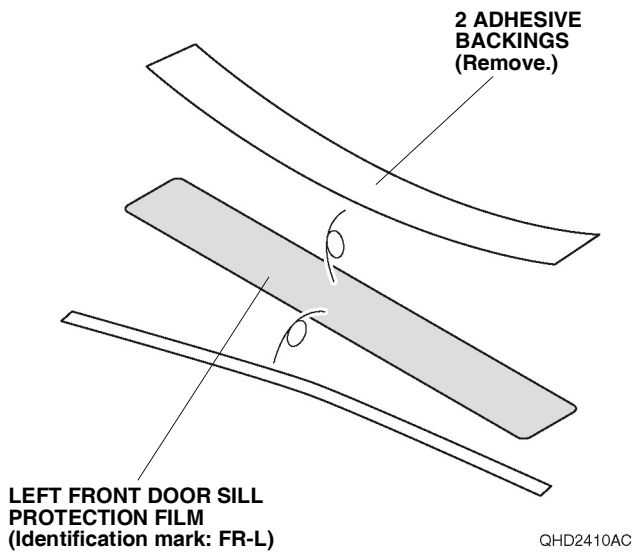
3. Using a spray bottle with the 3M protective tape application solution, spray the vehicle panel where the left front door sill protection film will attach.

Spray with the 3M protective tape application solution.

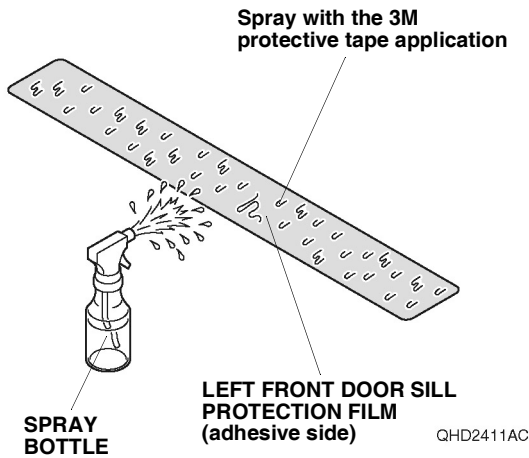


QHD2409BC

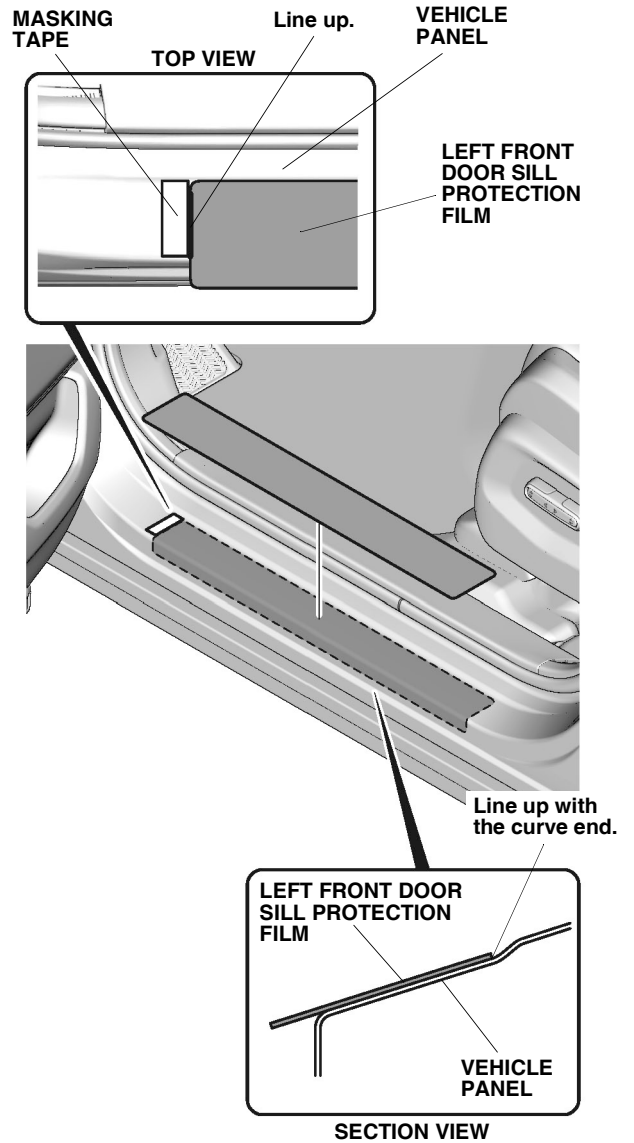
4. Remove the adhesive backings from the left front door sill protection film.  
NOTE: Check the identification mark of the left front door sill protection film.



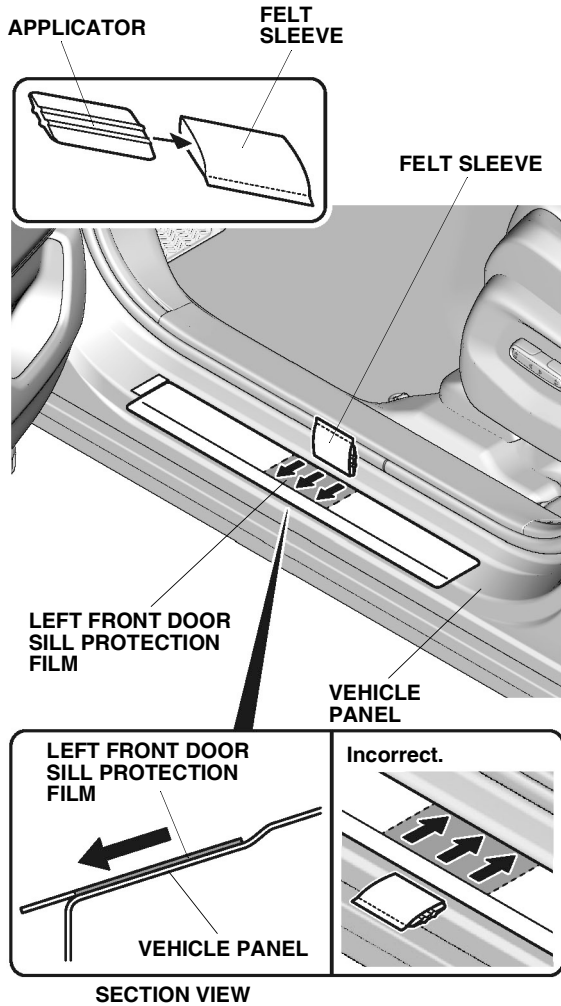
5. Spray the left front door sill protection film with the 3M protective tape application solution.



6. Line up the left front door sill protection film with the curve end and masking tape as shown. Attach the left front door sill protection film to the vehicle panel.



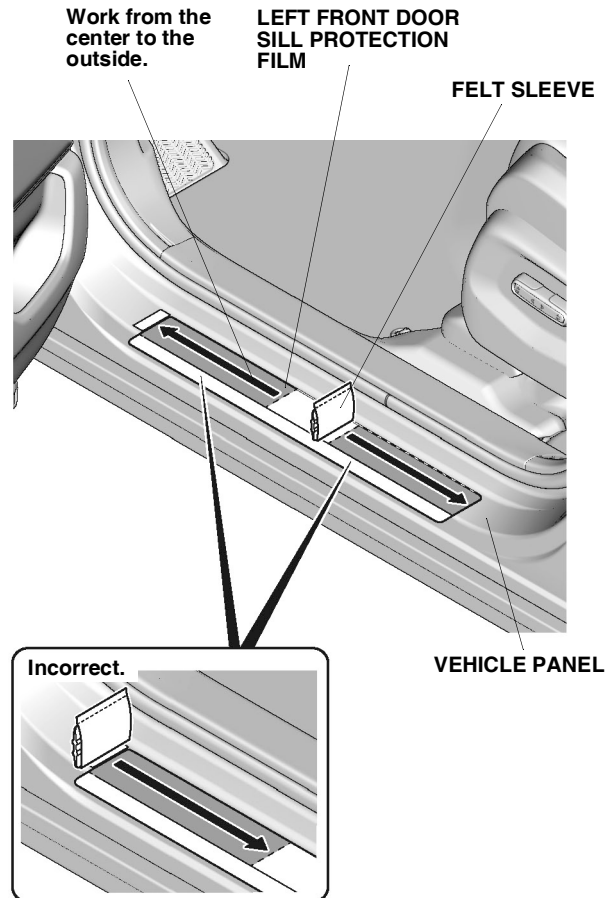
7. Insert the applicator into the felt sleeve.



QHD2413AC

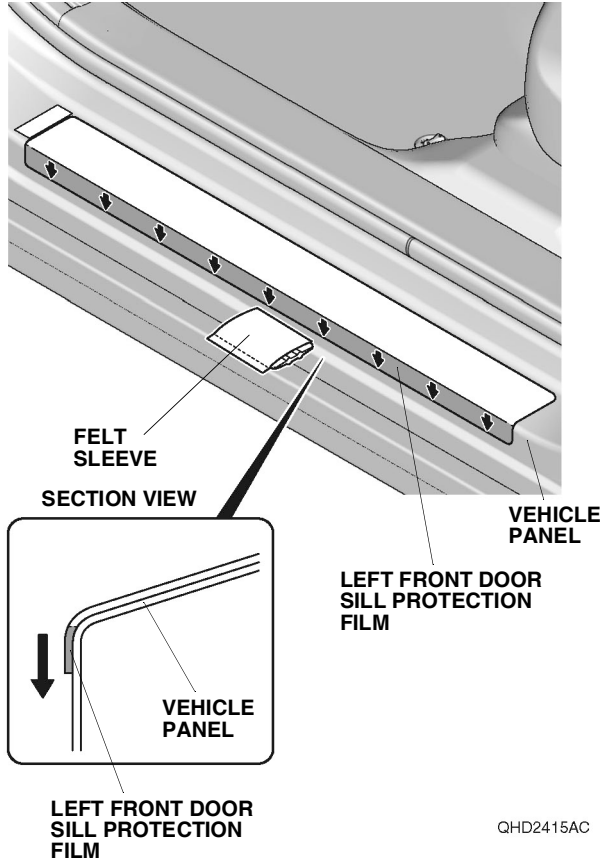
8. Starting from the inside and working outside, use the felt sleeve to smooth out the center of the left front door sill protection film. Move the felt sleeve in one direction only. If you see an air bubble, stop and gently peel up that section to work out the bubble. Work slowly, and keep pressure against the left front door sill protection film.

9. Starting from the center and working outward, use the felt sleeve to smooth out the left and right sides of the upper section on the left front door sill protection film. Move the felt sleeve in one direction only. If you see an air bubble, stop and gently peel up that section to work out the bubble. Work slowly, and keep pressure against the left front door sill protection film.

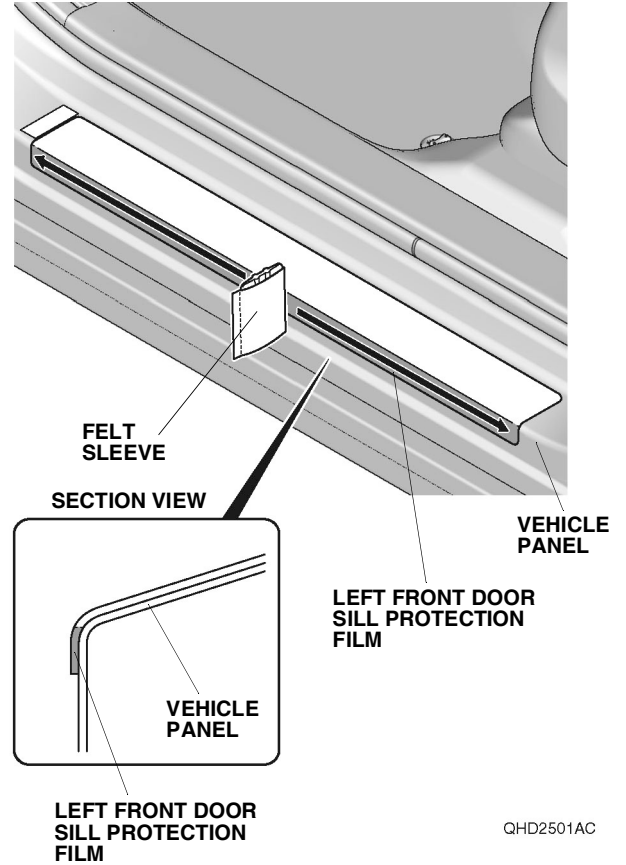


QHD2414AC

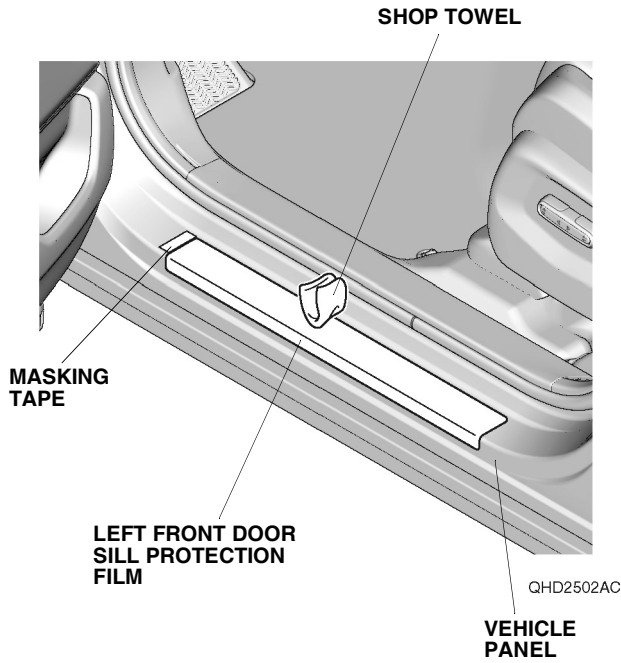
10. Gently bend the left front door sill protection film around the radius on the vehicle panel using your hand. Repeat until the film is attached to the vehicle panel. Repeat step 8 to set the adhesive of the left front door sill protection film to the radius and the edge of the vehicle panel.



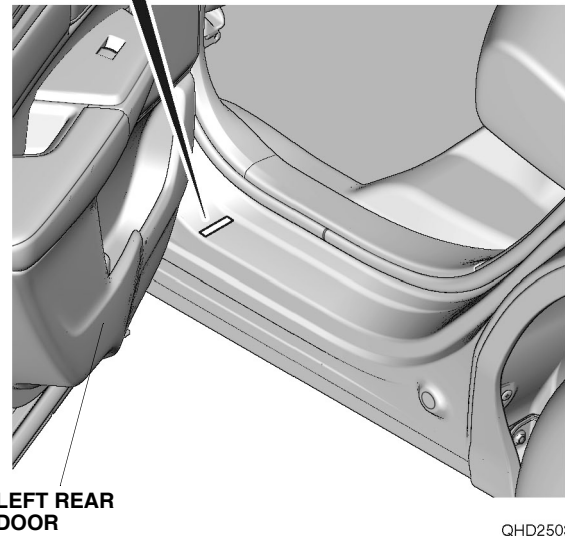
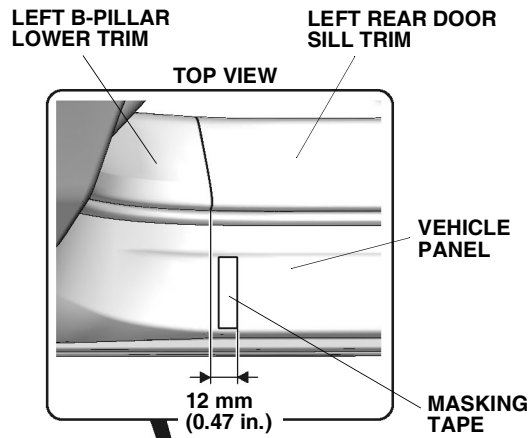
11. Repeat step 9 to set the adhesive of the left front door sill protection film to the edge of the vehicle panel.



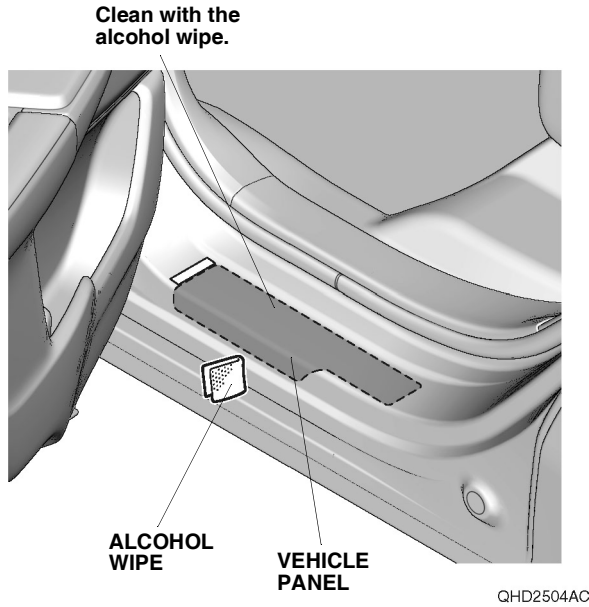
12. Using a shop towel, wipe off the 3M protective tape application solution. Allow the left front door sill protection film to dry thoroughly. Remove the masking tape.



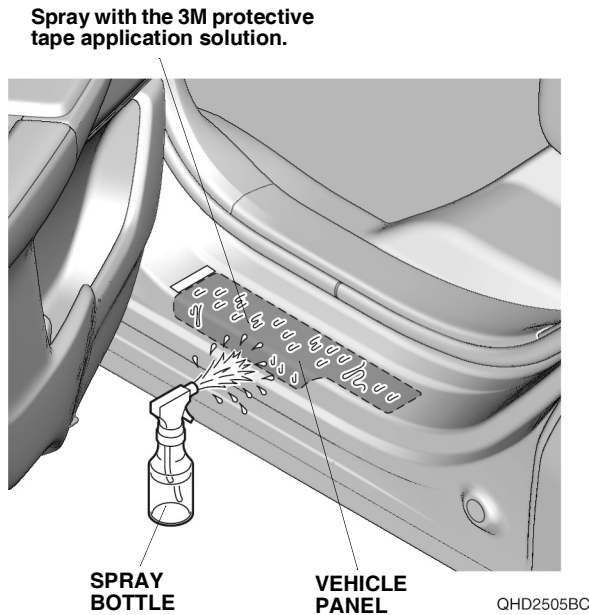
13. Open the left rear door. Measure and attach a piece of masking tape to the vehicle panel as shown.



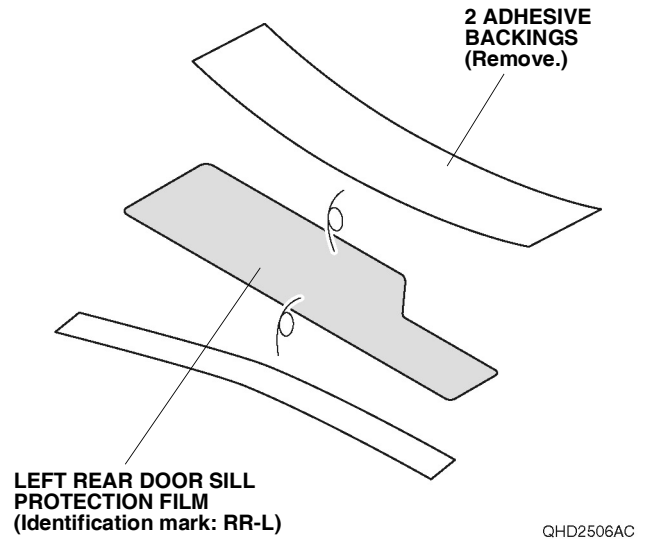
14. Using the alcohol wipe, thoroughly clean the vehicle panel where the left rear door sill protection film will attach.



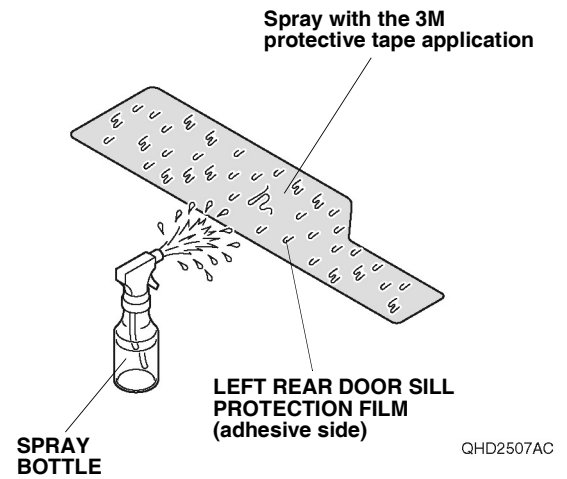
15. Using a spray bottle with the 3M protective tape application solution, spray the vehicle panel where the left rear door sill protection film will attach.



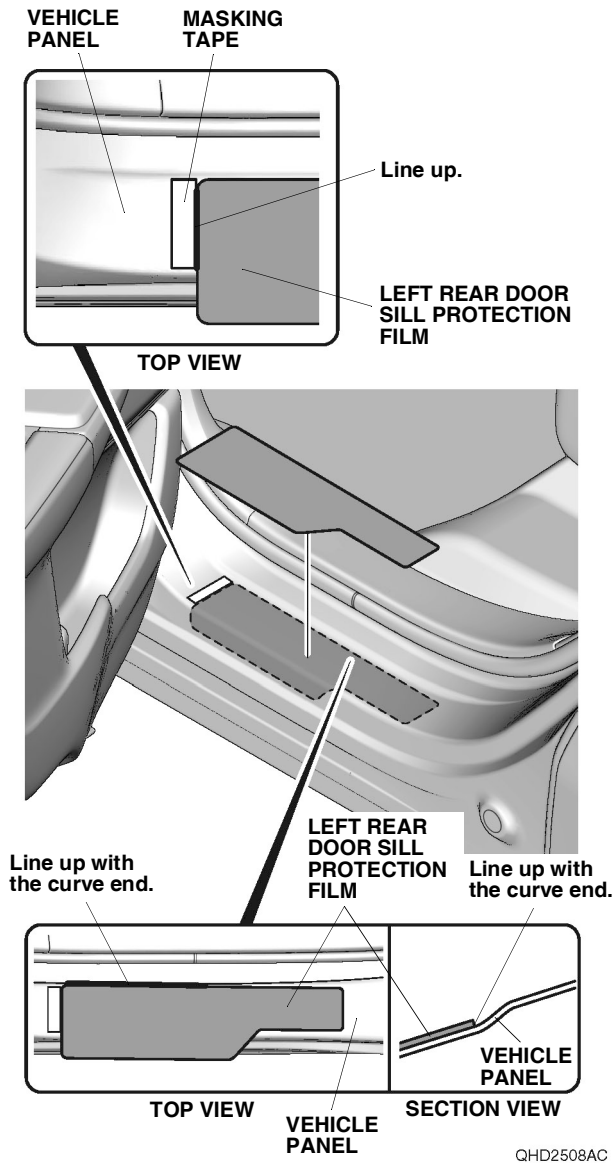
16. Remove the adhesive backings from the left rear door sill protection film.  
NOTE: Check the identification mark of the left rear door sill protection film.



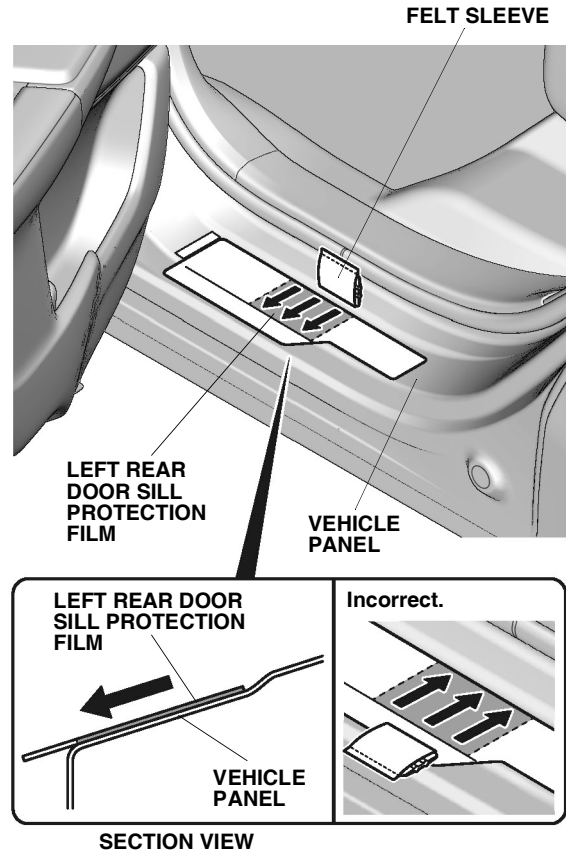
17. Spray the left rear door sill protection film with the 3M protective tape application solution.



18. Line up the left rear door sill protection film with the curve end and masking tape as shown. Attach the left rear door sill protection film to the vehicle panel.



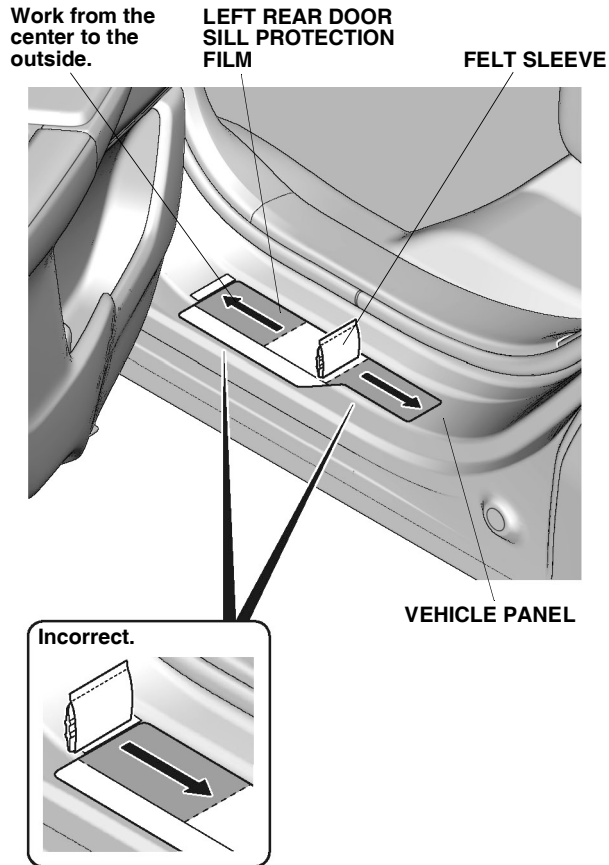
19. Starting from the inside and working outside, use the felt sleeve to smooth out the center of the left rear door sill protection film. Move the felt sleeve in one direction only. If you see an air bubble, stop and gently peel up that section to work out the bubble. Work slowly, and keep pressure against the left rear door sill protection film.



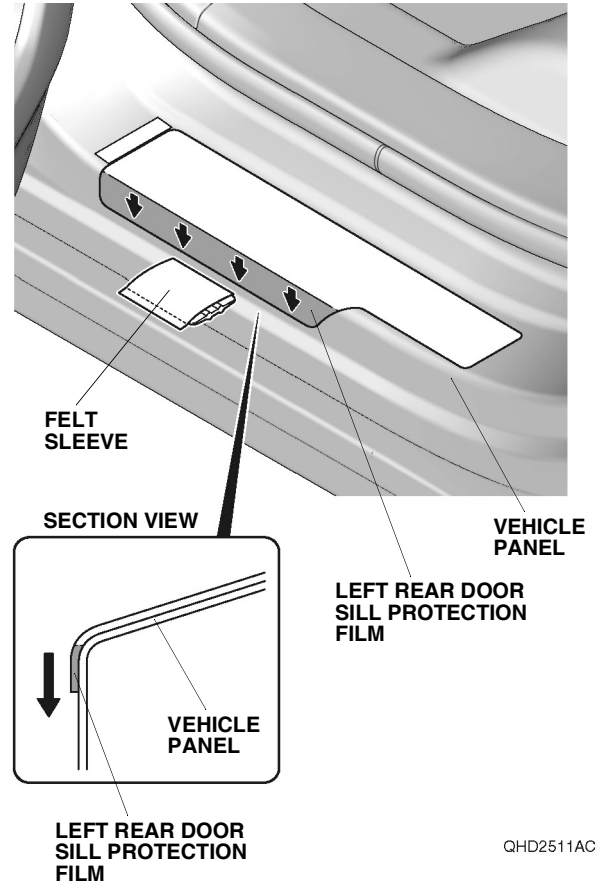
QHD2509AC



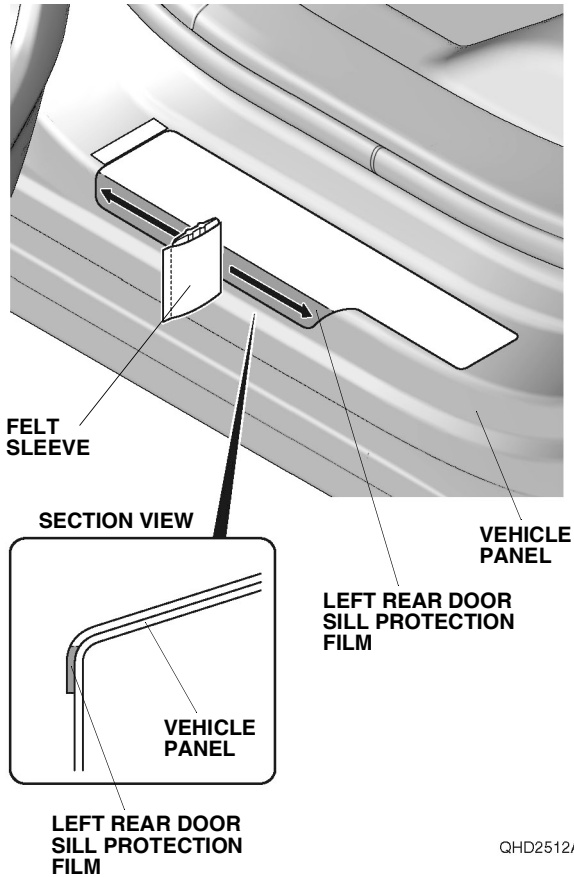
20. Starting from the center and working outward, use the felt sleeve to smooth out the left and right sides of the upper section on the left rear door sill protection film. Move the felt sleeve in one direction only. If you see an air bubble, stop and gently peel up that section to work out the bubble. Work slowly, and keep pressure against the left rear door sill protection film.



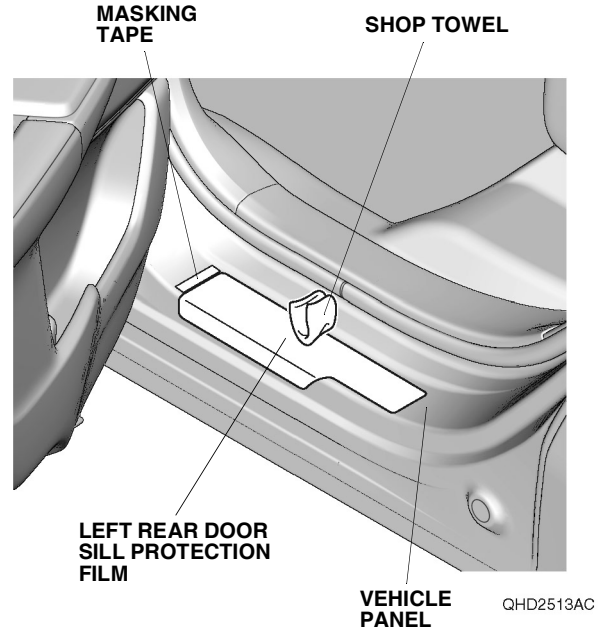
21. Gently bend the left rear door sill protection film around the radius on the vehicle panel using your hand. Repeat until the film is attached to the vehicle panel. Repeat step 19 to set the adhesive of the left rear door sill protection film to the radius and the edge of the vehicle panel.



22. Repeat step 20 set the adhesive of the left rear door sill protection film to the edge of the vehicle panel.



23. Using a shop towel, wipe off the 3M protective tape application solution. Allow the left rear door sill protection film to dry thoroughly. Remove the masking tape.



24. Repeat steps 1 through 23 on the right side of the vehicle.