

Disc 08.A147.10

Disc technical data

Diameter (Diameter)
260 mm

Overall height (A)
42 mm

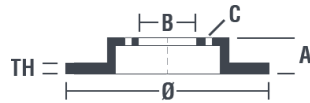
Centring diameter (B)
64,2 mm

Number of holes (C)
5

Thickness (TH)
9 mm

Minimum thickness
8 mm

Tightening torque 
108 Nm

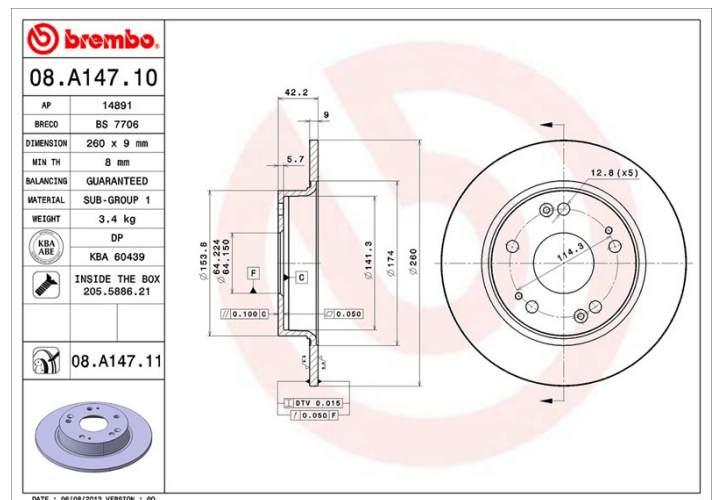


Brand part numbers

Brembo
08.A147.10

AP
14891

Breco
BS 7706



Technical specifications

Disc with fixing screw

By supplying the fixing screw in the disc box, Brembo provides extra help to the mechanic if the original screw is rusty or worn to such an extent as to prevent or make it difficult to reuse.



Compatible vehicles

HONDA				
Model	Type	Kw	Year	
CIVIC IX Saloon (FB, FG)	1.8	104	02/12 -	
CIVIC VII Saloon (ES)	1.8	103	02/01 09/05	
CIVIC VIII Hatchback (FN, FK)	1.4	61	09/05 -	
CIVIC VIII Hatchback (FN, FK)	1.4	73	10/08 -	
CIVIC VIII Hatchback (FN, FK)	1.6	84	09/05 -	
CIVIC VIII Hatchback (FN, FK)	1.8	103	09/05 -	
CIVIC VIII Hatchback (FN, FK)	2.2 CTDi	103	09/05 -	
CIVIC VIII Hatchback (FN, FK)	Type R	148	09/06 -	

CIVIC VIII Saloon (FD, FA)	1.3	85	02/06 -
CIVIC VIII Saloon (FD, FA)	1.3 Hybrid	70	01/06 -
CIVIC VIII Saloon (FD, FA)	1.3 Hybrid	85	01/10 02/12
CIVIC VIII Saloon (FD, FA)	1.6	92	01/12 -
CIVIC VIII Saloon (FD, FA)	1.6	84	09/05 -
CIVIC VIII Saloon (FD, FA)	1.8	103	02/06 -
CIVIC VIII Saloon (FD, FA)	1.8	103	09/05 02/12
CIVIC VIII Saloon (FD, FA)	2.0	114	02/06 02/12

OE Part number

Compatible OE codes

HONDA	42510SMGE20
HONDA	42510SNAA00
HONDA	42510SNAA01