

Copyright © 2018 by Big Bike Parts, Inc. No part of this instruction sheet may be reproduced without the written permission of Big Bike Parts, Inc.

PART NO. 52-923R

RED LED MARKER LIGHT SET

FITMENT: HONDA GOLDWING/GOLDWING TOUR 2018-NEWER

4/9/2019

TOOLS NEEDED:	PLIERS	8MM SOCKET	SOCKET WRENCH	WIRE CUTTER/CRIMPER	PHILLIP SCREWDRIVER
	RUBBING ALCOHOL	6MM ALLEN	SMALL FLAT SCREWDRIVER	CLEAN LINT FREE CLOTH	3/8" DRILL BIT
	MARKER OR PEN	DRILL	MASKING TAPE		

PLEASE READ THROUGH AND UNDERSTAND THESE INSTRUCTIONS BEFORE BEGINNING.

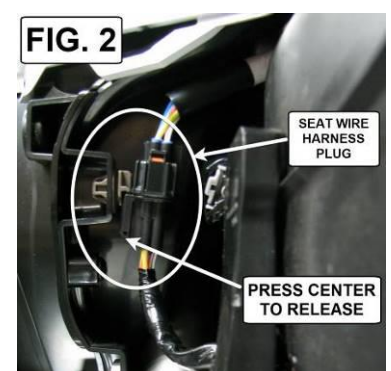
ESTIMATED INSTALLATION TIME: 90 TO 120 MIN.

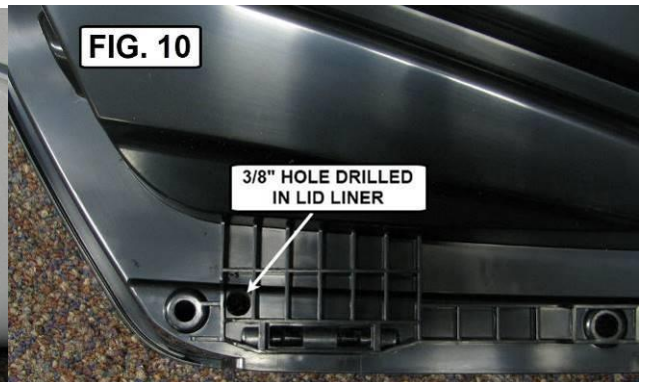
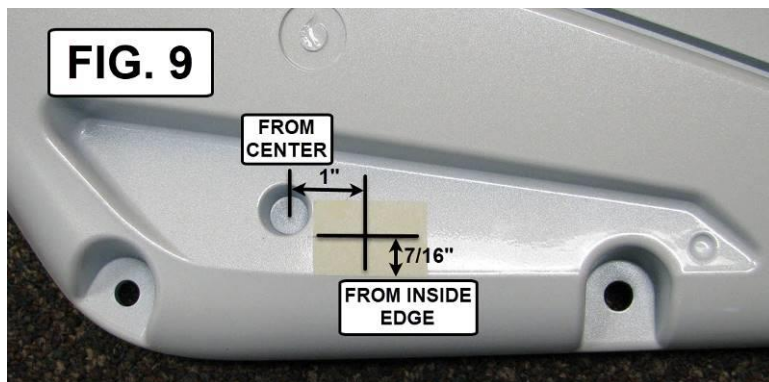
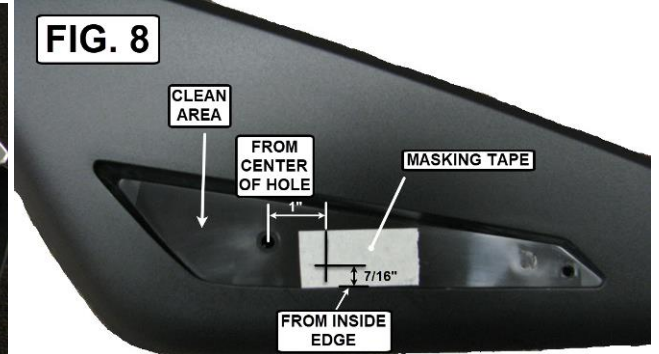
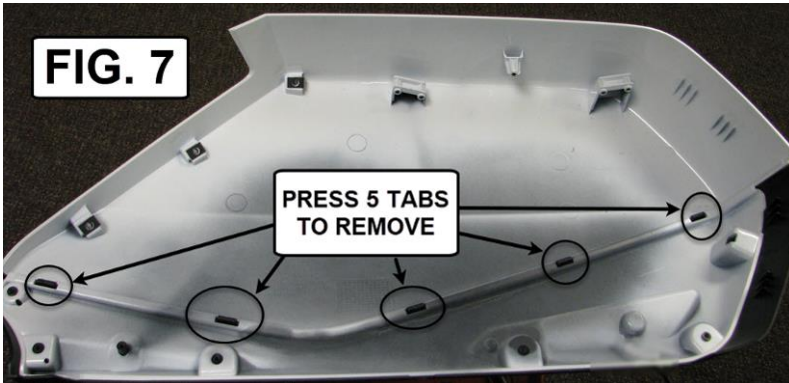
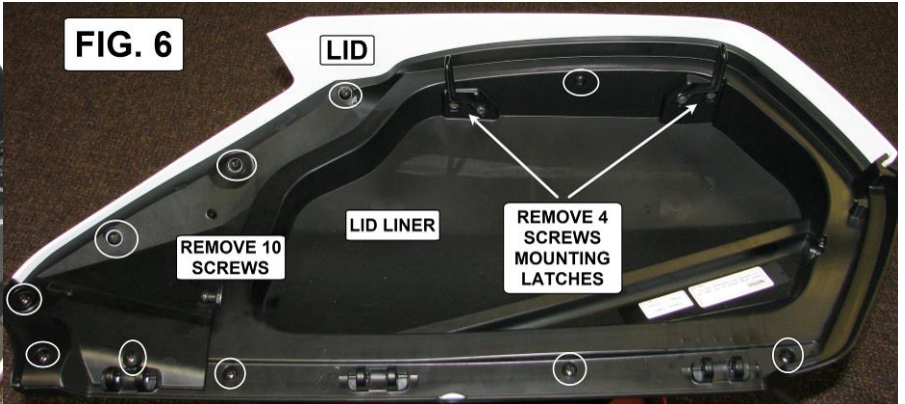
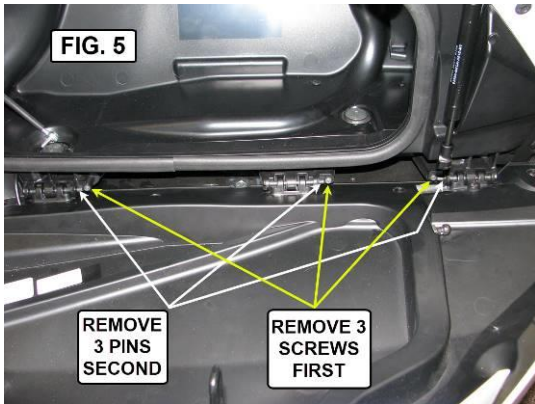
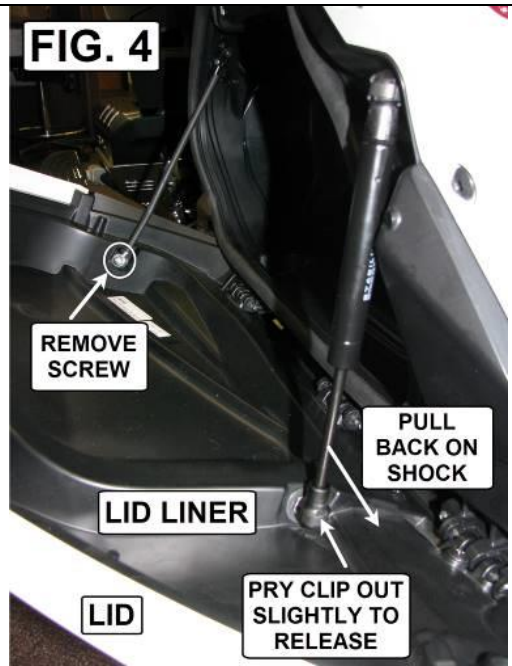
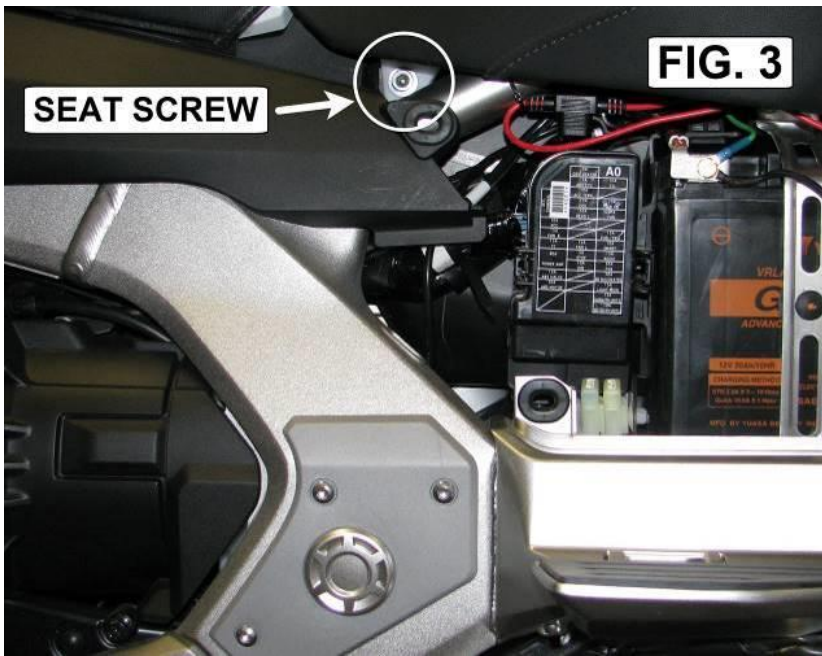
BIG BIKE PARTS RECOMMENDS INSTALLING AN ELECTRONIC FUSE BLOCK (PART NO. 52-942) BEFORE CONNECTING ANY ADDED ELECTRICAL ACCESSORIES TO THE BIKE. INSTALLATION:

1. OPEN BOTH SADDLEBAGS AND REMOVE LEFT AND RIGHT SIDE COVERS BY PULLING THEM STRAIGHT OUT FROM THE BIKE. (FIG. 1)
2. DISCONNECT THE SEAT HEATER HARNESS CONNECTOR FROM THE HOLDING CLIP (BEHIND RIGHT SIDE COVER) BY PRESSING THE LOWER CENTER TAB (FIG. 2) AND SLIDING THE CONNECTOR DOWN. PRESS THE UPPER CENTER LOCK TAB AND PULL THE CONNECTOR APART TO UNPLUG IT.
3. REMOVE THE TWO SEAT SCREWS WITH A 6MM ALLEN WRENCH (FIG. 3-LEFT SIDE SHOWN) AND REMOVE SEAT BY LIFTING THE FRONT AND PULLING THE SEAT FORWARD.
4. WITH THE LEFT SADDLEBAG LID OPEN, REMOVE THE SCREW CONNECTING THE CABLE TO THE LID. (FIG. 4)
5. USING A SMALL FLAT SCREWDRIVER, PRY OUT SLIGHTLY ON THE CLIP HOLDING THE GAS SHOCK (FIG. 4) AND PULL SHOCK TOWARDS THE BACK OF BIKE TO DISCONNECT. (BE SURE TO SUPPORT LID)
6. REMOVE THE 3 SCREWS WITH A PHILLIPS SCREWDRIVER AND SLIDE THE 3 PINS OUT FROM THE HINGES WITH A PLIER (FIG. 5). (SCREWS MUST BE REMOVED FIRST) LID WILL NOW LIFT FREE FROM THE BIKE.
7. LAY THE LID (OUTSIDE FACING DOWN) ON A CLEAN SOFT SURFACE OR TOWEL TO PREVENT SCRATCHING.
8. USE A PHILLIPS SCREWDRIVER TO REMOVE THE 10 SCREWS (FIG. 6) AS WELL AS THE 2 SCREWS MOUNTING EACH LATCH. (FIG. 6)
9. SEPARATE THE LID LINER FROM THE LID BY PULLING APART CLOSE TO EACH SCREW HOLE TO RELEASE.
10. REMOVE THE LOWER TRIM FROM THE LID BY PRESSING THE 5 TABS TO RELEASE THEM FROM EACH SLOT (FIG. 7).
11. USING AN 8MM SOCKET, REMOVE THE NUT ON THE BACK OF THE REFLECTOR. REMOVE THE REFLECTOR BY PULLING STRAIGHT AWAY FROM THE TRIM. **NOTE: THERE IS A PIECE OF DOUBLE SIDED TAPE SECURING THE REFLECTOR AS WELL SO THEY MIGHT PULL OFF TOUGHER.**
12. CLEAN THE AREA WHERE THE NEW LIGHT WILL MOUNT (FIG. 8) WITH RUBBING ALCOHOL AND A LINT FREE CLOTH. LET DRY COMPLETELY.
13. PLACE A PIECE OF MASKING TAPE ON THE LOWER LID TRIM AND MARK HOLE LOCATION. (FIG. 8)
14. PLACE A PIECE OF MASKING TAPE ON THE LID AND MARK HOLE LOCATION. (FIG. 9)
15. LID LINER HOLE TO BE LOCATED PER FIGURE 10.
16. DRILL THE THREE MARKED HOLES WITH A 3/8" DRILL BIT.
17. DETERMINE THE LEFT AND RIGHT LIGHT (FIG. 11) AND SET THE RIGHT LIGHT ASIDE.
18. FEED THE END OF THE CABLE FROM THE LEFT LIGHT THROUGH THE HOLE DRILLED IN THE LID LOWER TRIM AND THE LID. PEEL BACKER OFF OF TAPE ON THE BACK OF THE NEW LIGHT AND INSERT LIGHT PRESSING FIRMLY IN PLACE. SECURE THE NEW LIGHT WITH THE FLAT WASHER AND NYLOCK HEX NUT ON THE BACK SIDE OF THE LID TRIM.
19. REASSEMBLE SADDLEBAG FROM STEPS 5 THROUGH 11 IN REVERSE ORDER.
20. USING THE WIRE TIES SUPPLIED, RUN THE CABLE ABOVE THE EXHAUST, BEHIND THE SADDLEBAG AND INSIDE THE FRAME UNDER THE SEAT.
21. CONNECT THE WIRES FROM THE NEW LIGHTS TO THE CORRESPONDING TERMINALS ON AN ELECTRONIC FUSE BLOCK (52-942 OR EQUIVALENT) USING FIG. 12.
22. REPEAT STEPS 4 THROUGH 19 FOR THE RIGHT SIDE LIGHT.
23. SECURE THE REMAINING CABLE WITH REMAINING WIRE TIES, MAKING SURE CABLES DO NOT INTERFERE WITH ANY MOVING PARTS ON THE BIKE OR TOUCH THE EXHAUST.
24. TEST ALL FUNCTIONS OF THE LEFT AND RIGHT LIGHTS.
25. REPEAT STEPS 2 AND 3 IN REVERSE ORDER TO ATTACH THE SEAT.
26. REINSTALL THE LEFT AND RIGHT SIDE COVERS AND CLOSE THE SADDLEBAGS.

NOTICE

IGNORING THE CONTENTS OF THESE INSTRUCTIONS MAY AFFECT THE PRODUCT PERFORMANCE AND FUNCTIONALITY. NOT FOLLOWING THESE INSTRUCTION MAY CAUSE DAMAGE TO THE PRODUCT OR THE VEHICLE TO WHICH IT IS BEING ATTACHED.





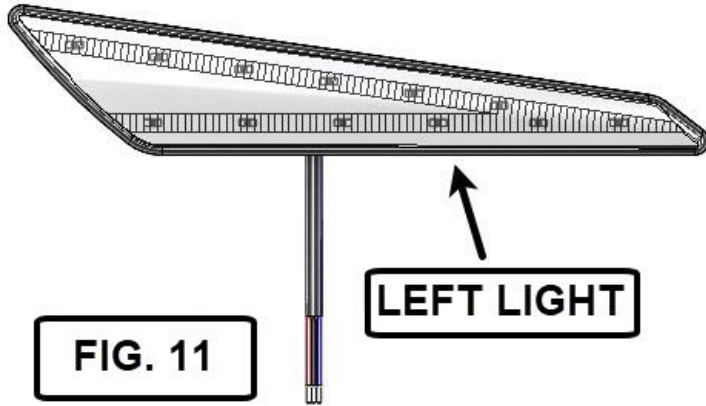
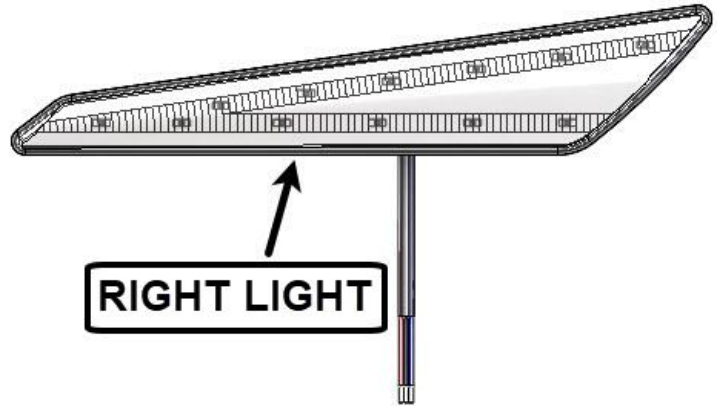


FIG. 11

LEFT LIGHT



RIGHT LIGHT

FIG. 12



3 WIRE
CABLE
LIGHT
HARNESS

BLUE WIRE-RUNNING
BLACK WIRE-GROUND
RED WIRE-TURN

NOTICE

BIG BIKE PARTS RECOMMENDS
INSTALLING AN ISOLATION FUSE BLOCK
(PART NUMBER 52-942) BEFORE
CONNECTING ANY ADDED ELECTRICAL
ACCESSORIES TO THE BIKE

NOTICE

ADDING MULTIPLE
ACCESSORIES TO A CIRCUIT
MAY CAUSE ISSUES WITH
SOME ACCESSORIES