



Cellularline S.p.A., declares that this device complies with Directive 2014/53/EU. The full text of the EU declaration of conformity is available at the following address:

www.cellularline.com/_/declaration-of-conformity
Cellularline S.p.A., also declares that this device complies with the RoHS Directive 2011/65/EU.

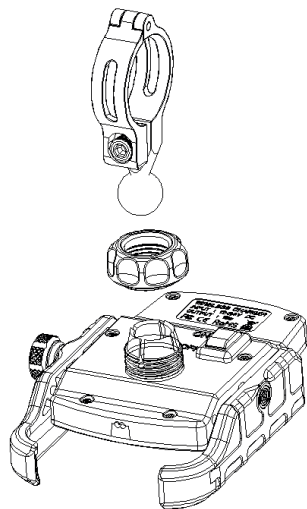


INSTRUCTIONS FOR THE DISPOSAL OF APPLIANCES FOR DOMESTIC USERS

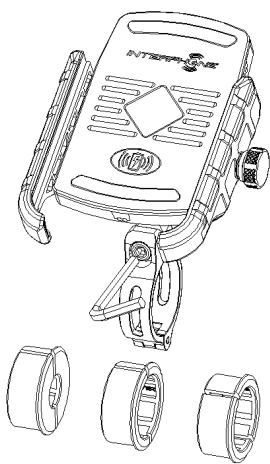
(Applicable in countries in the European Union and those with separate waste collection systems)

This mark on the product or documentation indicates that this product must not be disposed of with other household waste at the end of its life. To avoid any damage to health or the environment due to improper disposal of waste, the user must separate this product from other types of waste and recycle it in a responsible manner to promote the sustainable re-use of the material resources.

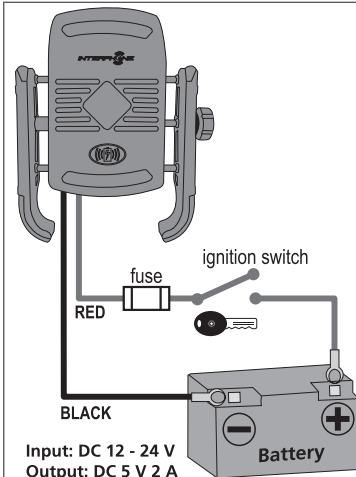
Domestic users should contact the dealer where they purchased the product or the local government office for all the information regarding separate waste collection and recycling for this type of product. Corporate users should contact the supplier and verify the terms and conditions in the purchase contract. This product must not be mixed with other commercial waste.



Allentare la ghiera, fissare la sfera nel supporto e serrare la ghiera.
Unscrew the nut, fix the ball into the bracket and tighten the nut.



Manubri compatibili: diametro da 12 a 32 mm. Se necessario utilizzare i distanziali plastici in dotazione, per diametri fino a 22 mm e fino a 25,4 mm.
Suitable diameters from 12 mm to 32 mm. If necessary, use the plastic spacers for 22 mm and 25,4 mm.



Input: DC 12 - 24 V
Output: DC 5 V 2 A

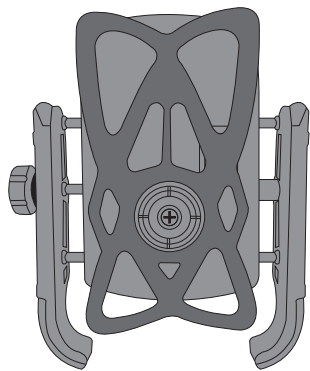
Collegare il cavo di alimentazione come indicato in figura.
Connect the input wire as shown in picture.

Moto Crab Wireless

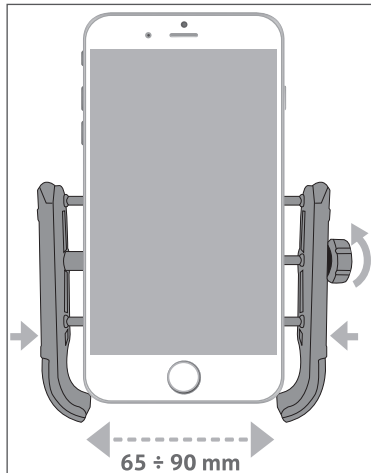


Istruzioni di montaggio
Assembly instructions

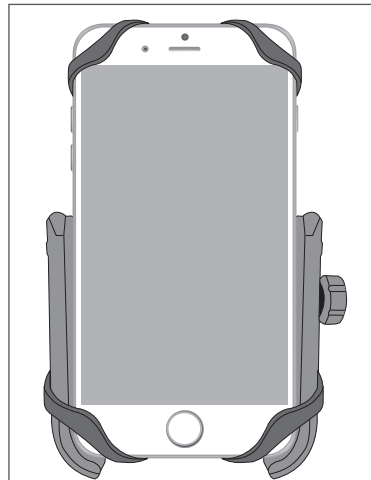
INTERPHONE
STAY IN TOUCH



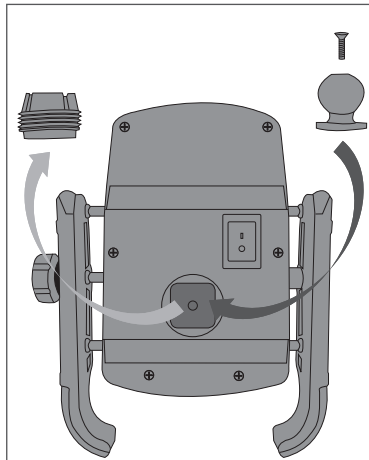
Inserire l'elastico di sicurezza
come mostrato in figura.
Insert the rubber band as
shown in the picture.



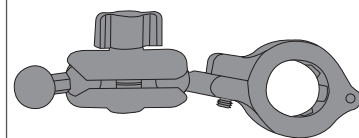
Posizionare il telefono sul
supporto e serrare fino a bloccare
il dispositivo.
Place the phone on holder and
tighten the adjustable arms.



Bloccare il dispositivo con
l'elastico di sicurezza come
mostrato in figura.
Fix the device with rubber band as
shown in the picture.



Sistema di fissaggio alternativo.
Alternative fixing system.



Braccetto snodato incluso.
Articulated extension arm included.

Tutti i marchi, i nomi e i modelli di telefono cellulare sono di
proprietà dei rispettivi titolari.
All trademarks, names and mobile phone models are the property of the
respective companies.


INTERPHONE

Distribuito da: / Distributed by:
CELLULARLINE S.p.A.
via Lambrakis 1/A
42122 Reggio Emilia - Italy
www.interphone.com
www.cellularline.com