



INSTALLATION INSTRUCTIONS

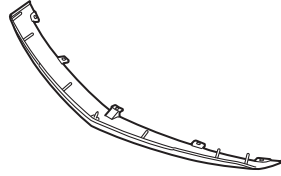
Accessory
FRONT LOWER TRIM
P/N 08P46-TZ5-200A

Application
2014 MDX

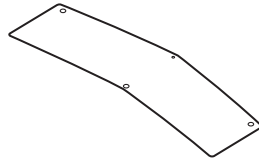
Publications No.
BII 48827
Issue Date
MAY 2013

PARTS LIST

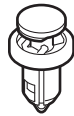
Front lower trim



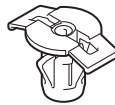
Template



5 Clips A



Clip B



6 Clip holders



TOOL AND SUPPLIES REQUIRED

Phillips screwdriver

Ratchet

10 mm Socket

Drill

3 mm, 6 mm, 8 mm, 10 mm, and 12 mm Drill bits

Pushpin

Awl

Eye protection (face shield, safety goggles, etc.)

Tape

Masking tape

Ruler

File

Diagonal cutters

Shop towel

Blanket

Container

The following tool is available through the Honda Tool and Equipment Program. On the iN, click on: Service > Service Bay > Tool and Equipment Program, then enter the number under "Search". Or, call 888-424-6857.

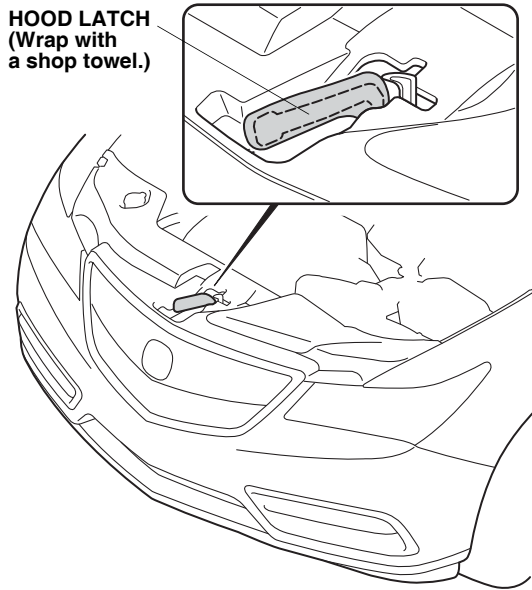
- Trim Tool Set (T/N SOJATP2014)

INSTALLATION

Client Information: The information in this installation instruction is intended for use only by skilled technicians who have the proper tools, equipment, and training to correctly and safely add equipment to your vehicle. These procedures should not be attempted by "do-it-yourselfers."

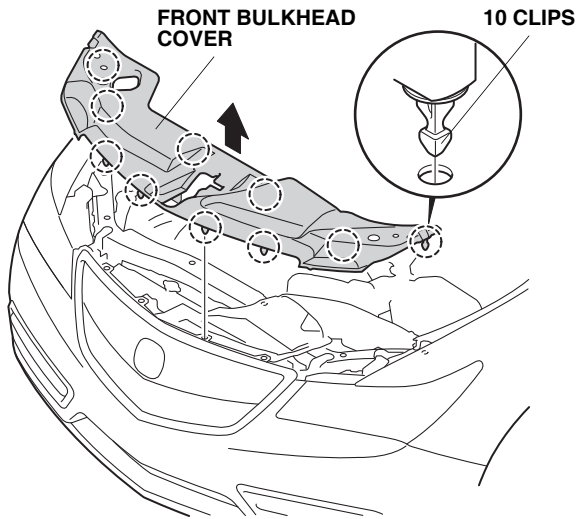
NOTE: Be careful not to damage the body paint finish.

1. Disconnect the negative cable:
 - Wrap a shop towel around the hood latch.



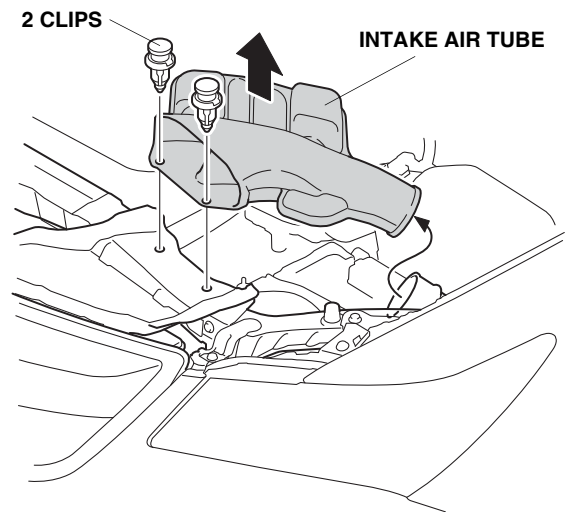
QBN1201BK

- Remove the front bulkhead cover (10 clips).



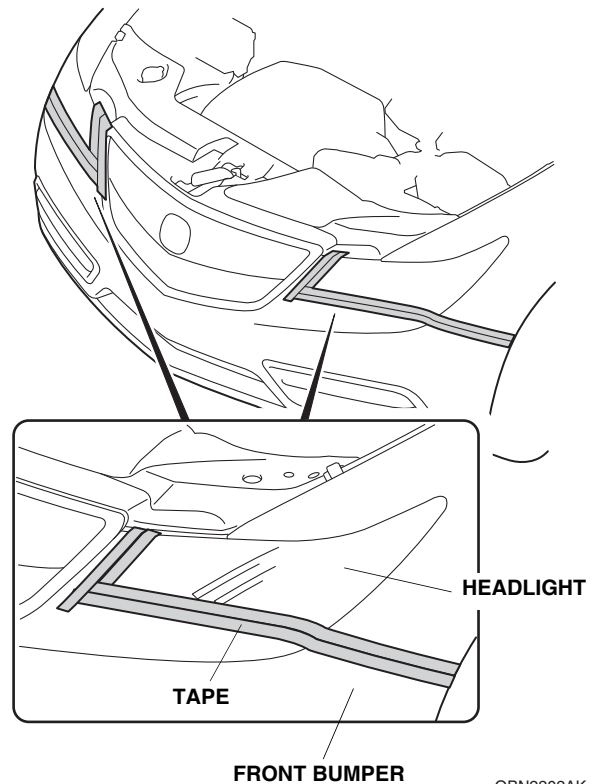
QBN1202BK

- Remove the intake air tube (two clips).
- Disconnect the negative cable from the battery.



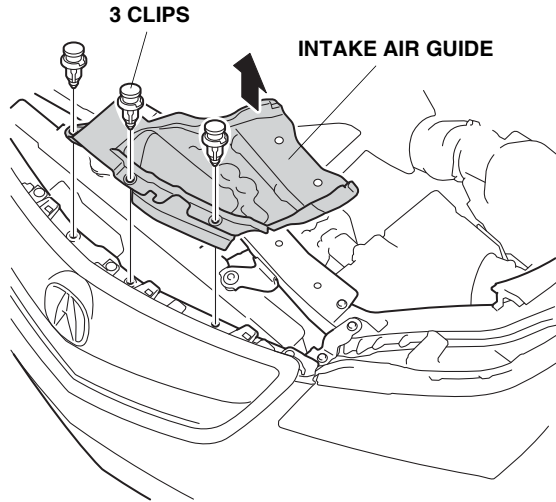
QBN1504BK

2. Remove the front bumper:
 - Attach tape to the areas shown on each side.



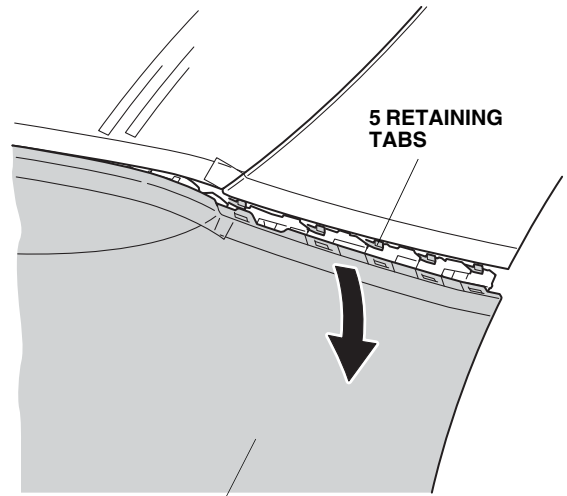
QBN2202AK

- Remove the intake air guide (three clips).



QBN2201AK

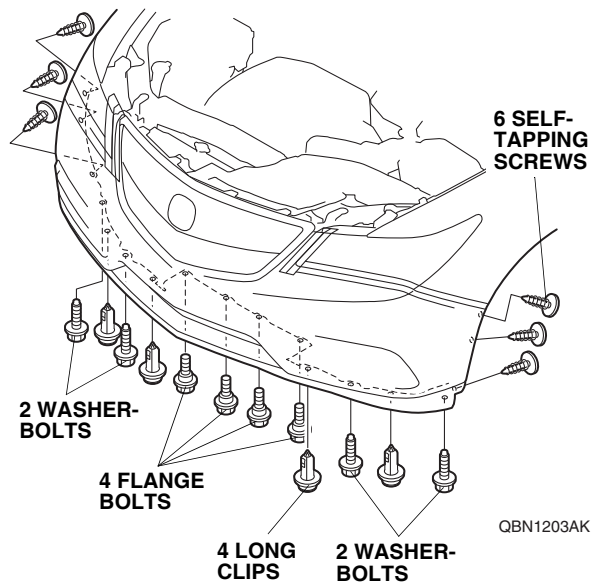
- Release five retaining tabs on each side.



FRONT BUMPER

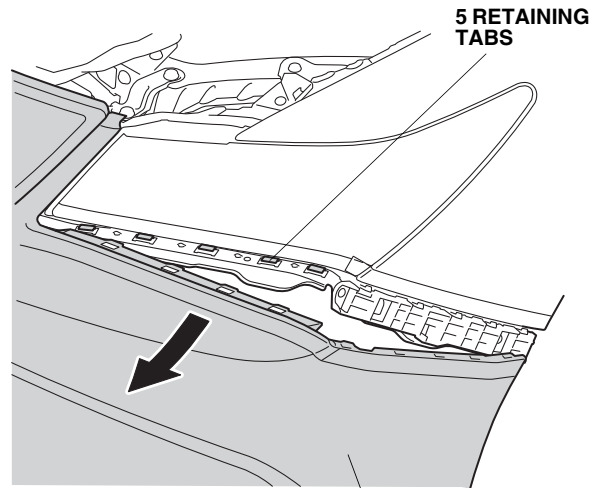
QBN1401AK

- Remove six self-tapping screws, four long clips, four washer-bolts, and four flange bolts.



QBN1203AK

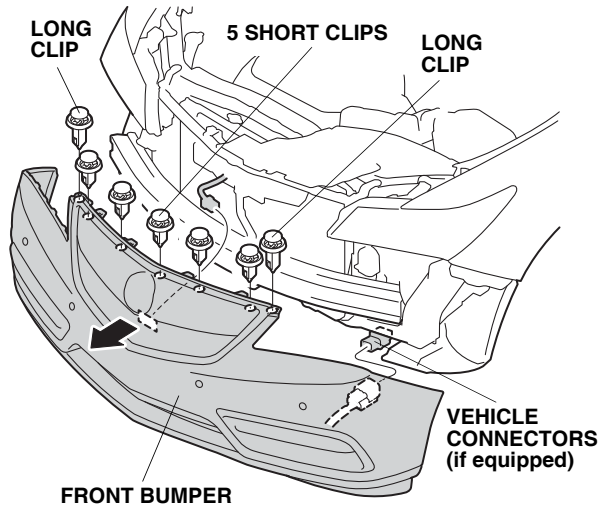
- With the help of an assistant, release five retaining tabs on each side.



FRONT BUMPER

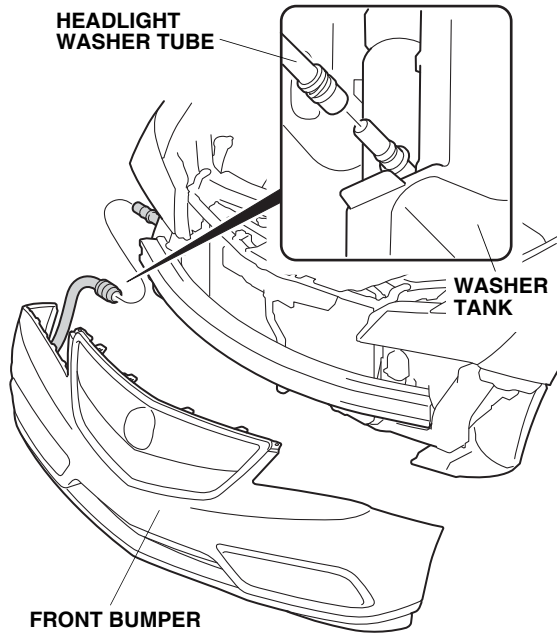
QBN1402AK

- With the help of an assistant, release the front bumper (five short clips, two long clips, and unplug the vehicle connectors).



QBN1501BK

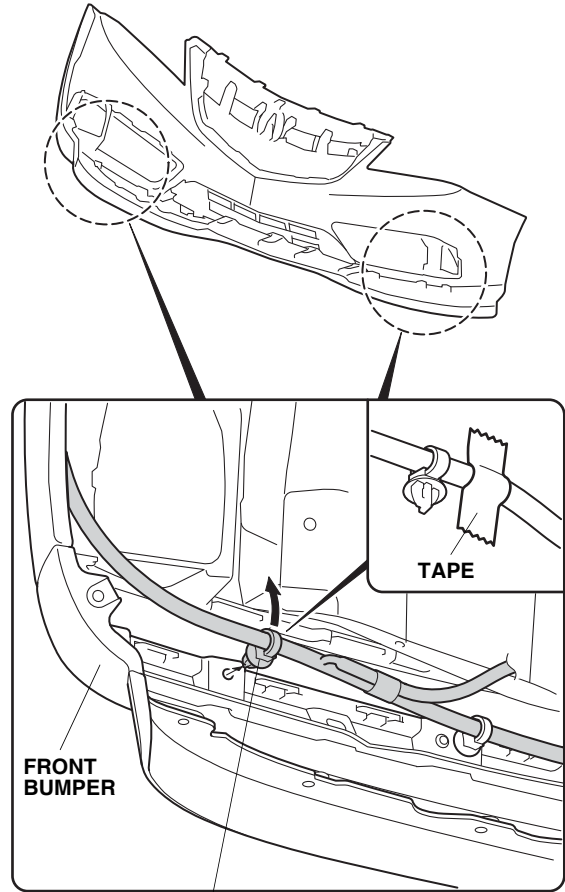
- If the vehicle is equipped with headlight washer, place a suitable container under the tube end to collect the washer fluid from the washer tube. Refill the washer tank up to the proper level after installing the front bumper. Disconnect the headlight washer tube.
- Remove the front bumper. Place the front bumper on the blanket to prevent damage.



QBN1502AK

With parking and backup sensor system

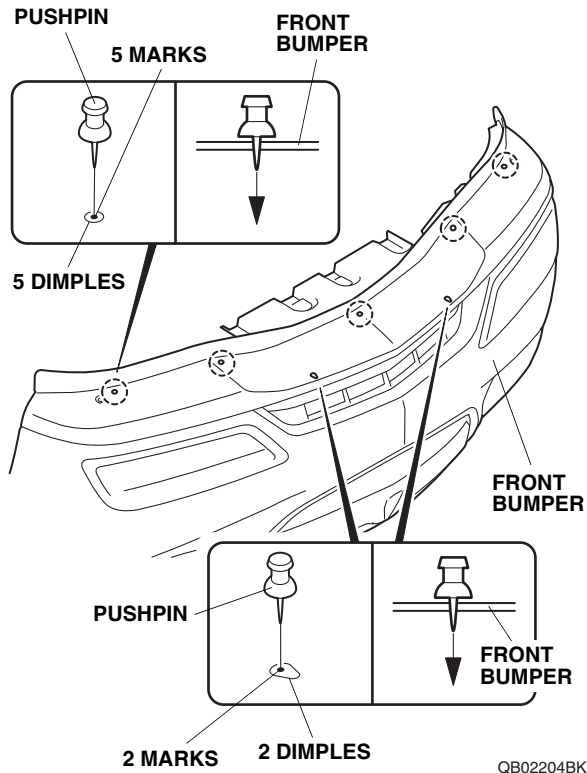
3. Release the vehicle harness clip from the front bumper on each side.



QB02203CK

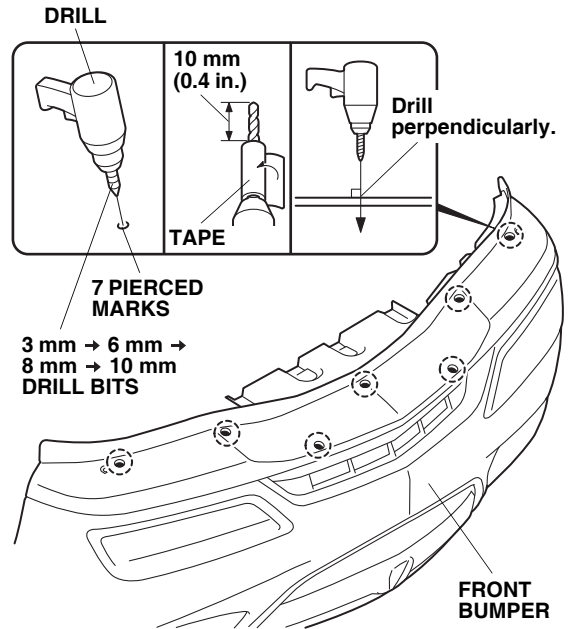
4. Using a piece of tape, temporarily attach the vehicle harness out of the way as shown.

5. Using a pushpin, pierce the seven dimples in the front bumper.

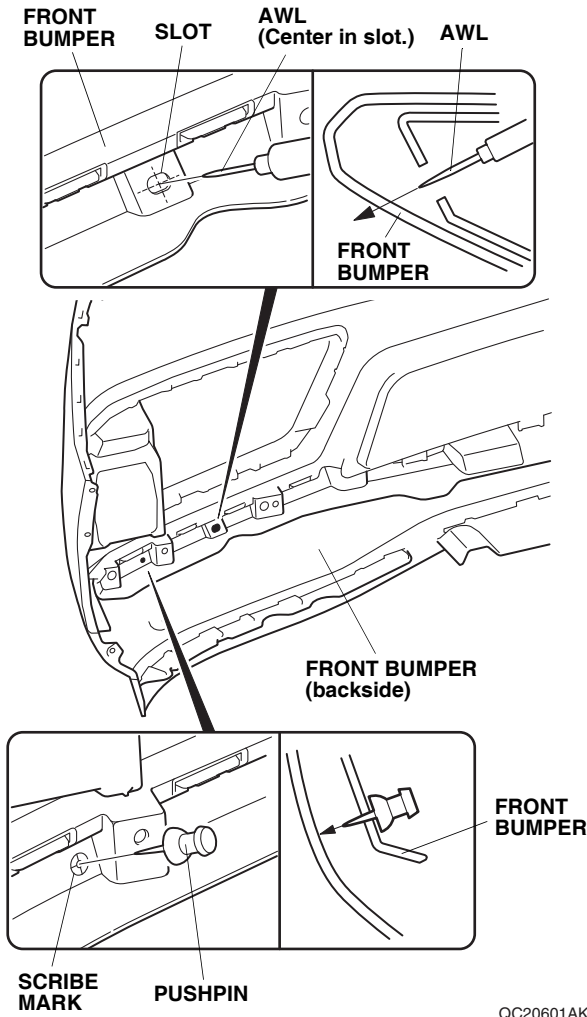


6. While wearing eye protection, drill the seven pierced marks to 10 mm:

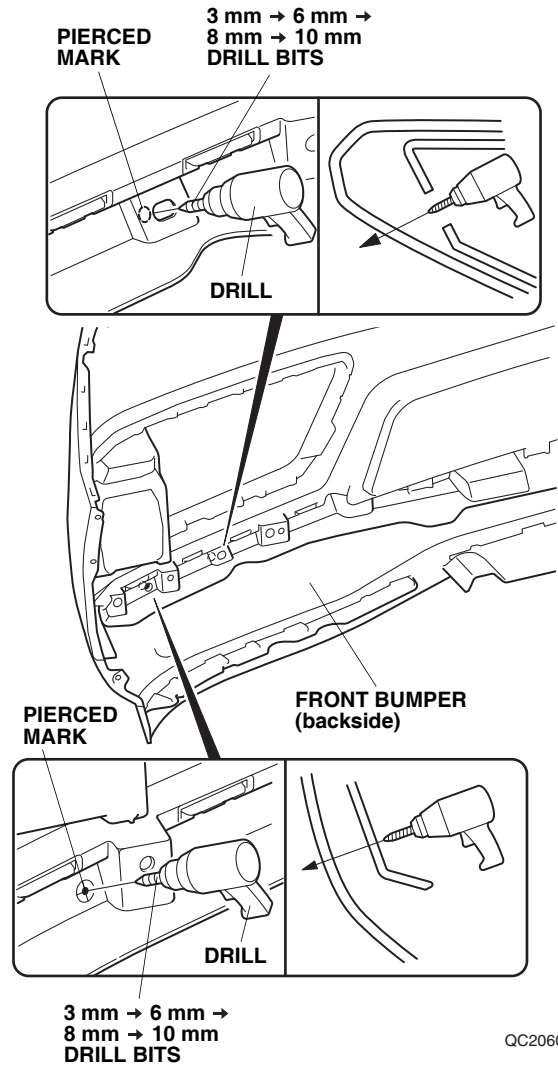
- Wrap tape around each drill bit 10 mm away from the tip or use a drill stop.
- First drill with a 3 mm drill bit, with a 6 mm drill bit, then with an 8 mm drill bit, and finish with a 10 mm drill bit.
- Remove all burrs.



7. Using the pushpin and awl, pierce the front bumper as shown.

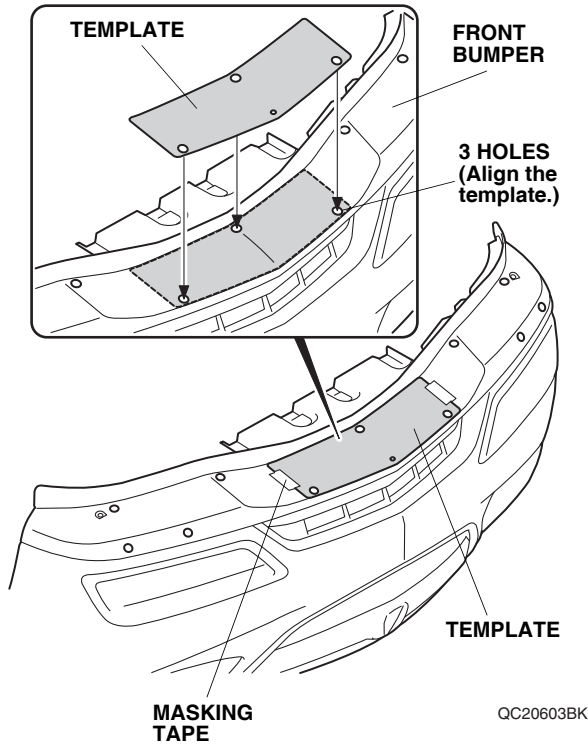


8. While wearing eye protection, drill two pierced marks to 10 mm.
- First drill with a 3 mm drill bit, with a 6 mm drill bit, then with an 8 mm drill bit, and finish with a 10 mm drill bit.

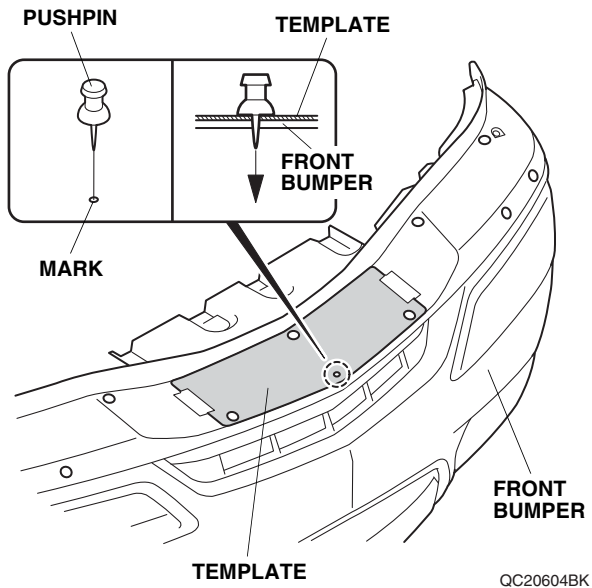


9. Repeat steps 7 and 8 on the other side.

10. Place the template onto the front bumper and align the holes shown, then attach it with strips of masking tape.

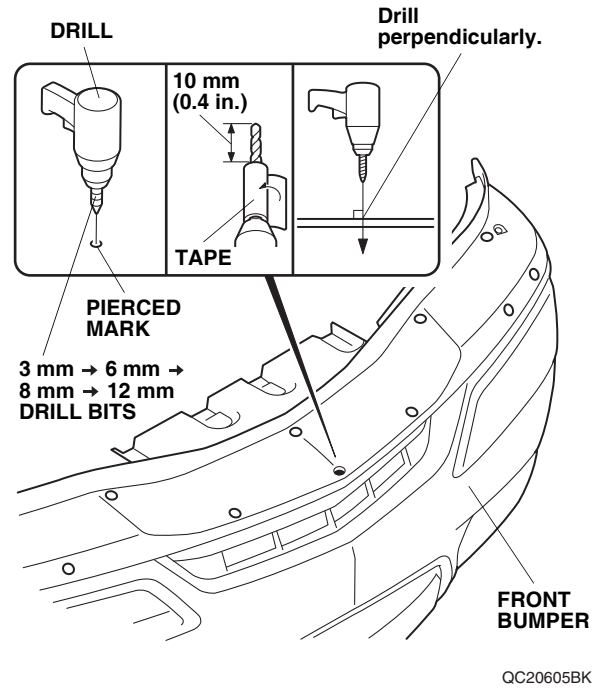


11. Using a pushpin, pierce the front bumper at the one mark on the template as shown.

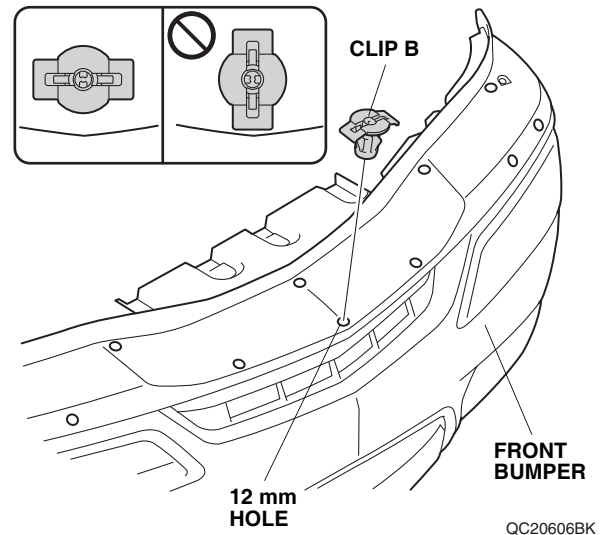


12. Remove the template.

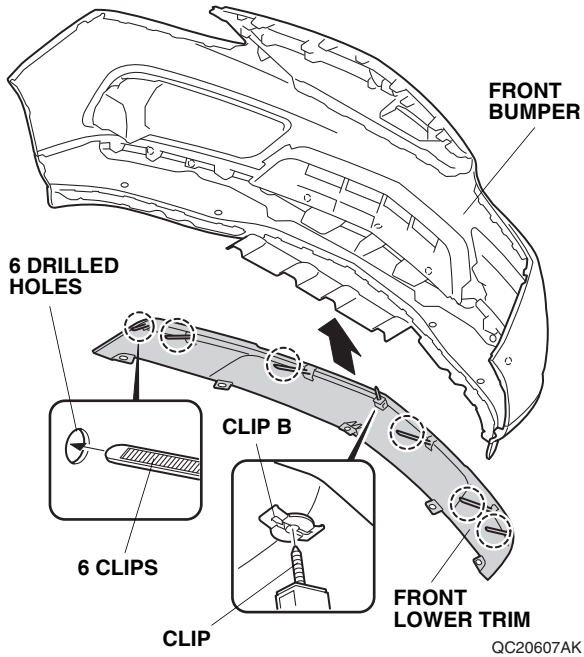
13. While wearing eye protection, drill the one pierced mark to 12 mm:
- Wrap tape around each drill bit 10 mm away from the tip or use a drill stop.
 - First drill with a 3 mm drill bit, with a 6 mm drill bit, then with an 8 mm drill bit, and finish with a 12 mm drill bit.
 - Remove all burrs.



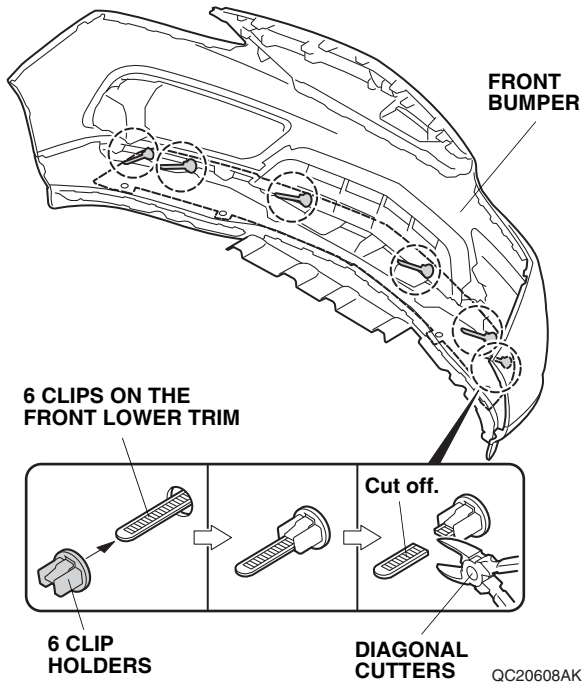
14. Install one clip B into the 12 mm hole of the front bumper. Push in on the clip B until you hear a click, then check to make sure clip B is secured in the front bumper.



15. Install the front lower trim to the front bumper.



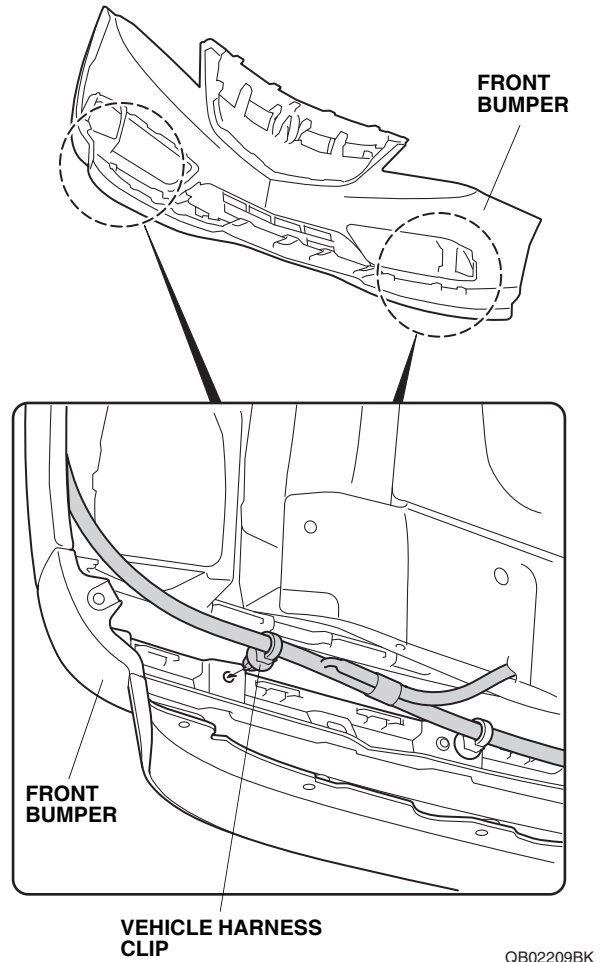
16. Install one clip holder onto each clip on the front lower trim.



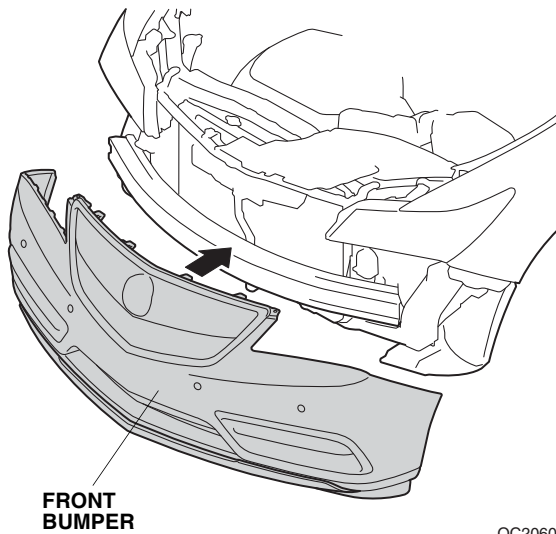
17. Using diagonal cutters, cut the excess off six clips.

With parking sensor and backup sensor system

18. Reinstall the vehicle harness clip on each side (released in step 3).

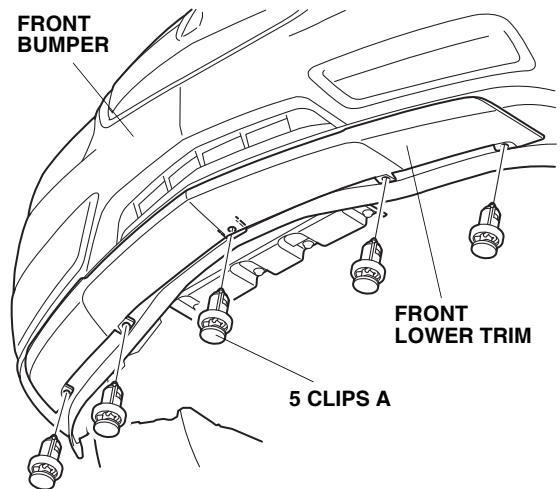


19. Reinstall the front bumper.
- Reconnect the headlight washer tube and vehicle connector (if equipped).



QC20609AK

20. Secure the front lower trim with five clips A.



QB02214AK

21. Check that all wire harnesses are routed properly and all connectors are plugged in.
22. Reinstall all removed parts except for the front bulkhead cover and the intake air tube.
23. Reconnect the negative cable to the battery.
24. Reinstall the front bulkhead cover and the intake air tube.
25. Press and hold the radio power button for two seconds to restore the radio and navi (if equipped) system functions.
26. Reset the clock.
27. Restore the systems back to normal operation as described in the Service Manual if necessary.