



# INSTALLATION INSTRUCTIONS

Accessory

Low Profile Seat  
P/N OSR50-K33-100A

Application

CBR300R/RA  
CB300F

Publication No.

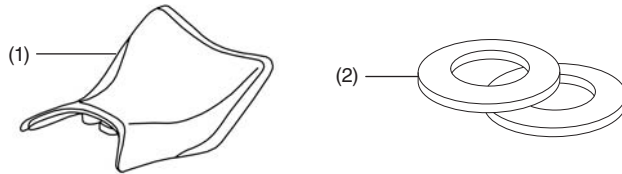
MII 14961

Issue Date

December 2014

**Honda Dealer: Please give a copy of these instructions to your customer.**

## PARTS LIST



No.	Description	Qty
(1)	Seat	1
(2)	Washer, 6 mm	2

## TOOLS AND SUPPLIES REQUIRED

Hex wrench (5 mm)

Torque wrench with 5 mm hex socket

## TORQUE CHART

Tighten all screws, bolts and nuts to their specified torques. Refer to the Service Manual for the tightening torques of removed parts.

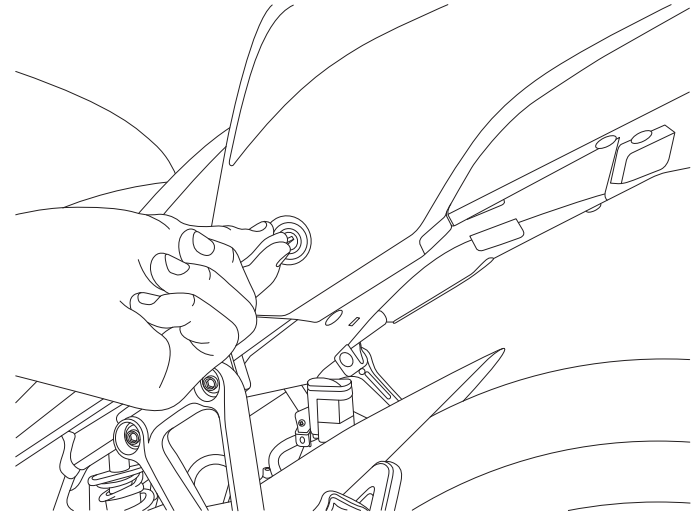
Item	N·m	Kgf·m	lb/ft
6 mm socket bolt	10	1.0	7.0

## USE AND CARE INFORMATION

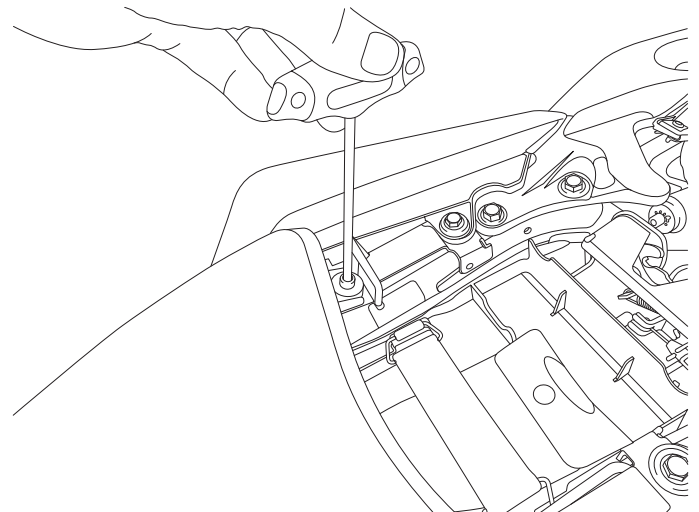
Use mild soap and water to clean the seat surface.

## INSTALLATION

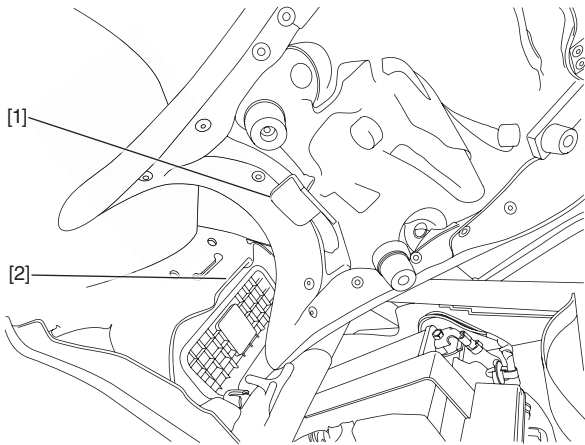
1. Insert and rotate the ignition key in the seat lock to release the passenger seat. Remove the passenger seat.



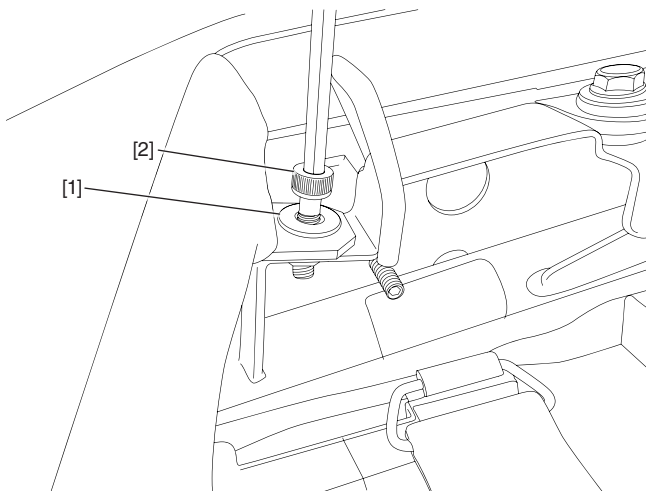
2. Remove the two 6 mm bolts securing the rider's seat. Remove the seat and save the bolts.



3. Install the accessory seat by sliding the tab [1] into the boss [2]. Ensure the mounting tabs align with the threaded holes in the frame.



4. Secure the seat by installing a 6 mm washer [1] and the removed bolt [2] from Step 1. Repeat on the other side. Tighten the bolts to the specified torque in the Torque Chart.



5. Reinstall the passenger seat.