



INSTALLATION INSTRUCTIONS

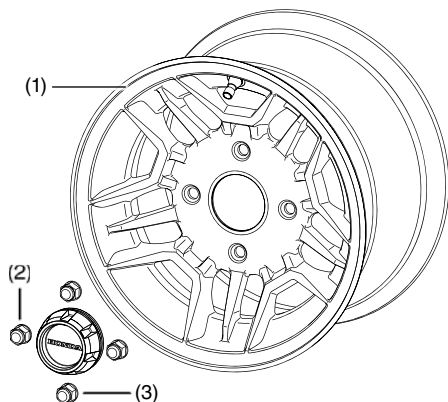
Accessory
ALUMINUM WHEEL
 P/N 08W70-HR5-A20 (Front)
 P/N 08W71-HR5-A20 (Rear)

Application
 TRX500FM5/FM6/FM7
 TRX500FA5/FA6/FA7

Publication No.
MII 15016
 Issue Date
November 2014

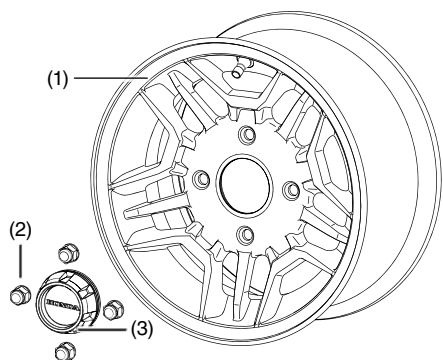
PARTS LIST

Front Aluminum Wheel (P/N 08W70-HR5 –A20)



No.	Description	Qty
(1)	Front aluminum wheel	1
(2)	Wheel nut	4
(3)	Wheel center cap	1

Rear Aluminum Wheel (P/N 08W71-HR5 –A20)



No.	Description	Qty
(1)	Rear aluminum wheel	1
(2)	Wheel nut	4
(3)	Wheel center cap	1

TOOLS AND SUPPLIES REQUIRED

17 mm Socket
 Ratchet
 Extension
 Torque wrench
 Jack

TORQUE CHART

Tighten all nuts to their specified torque values.

Item	N-m	kgf-m	lbf-ft
Wheel nut	84	8.6	62

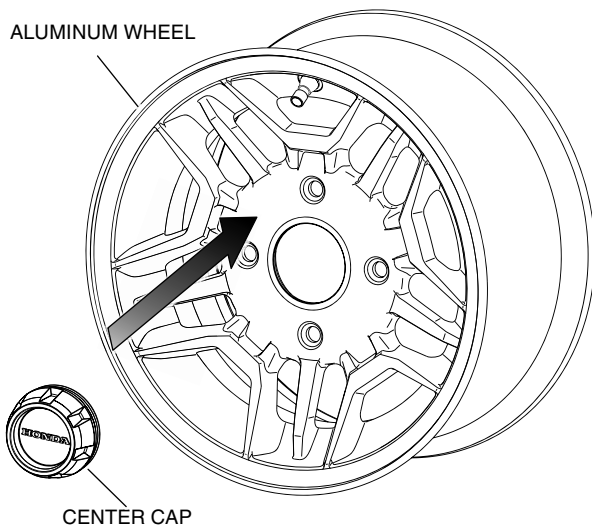
USE AND CARE INFORMATION

- Check the wheel nuts for proper torque and check the tire pressure before riding.
- See the ATV's Owner's Manual for the tire maintenance procedure.
- See the ATV's Owner's Manual for the tire pressure check and tire wear check procedure.
- Check the wheel rim for deformation and cracks. If deformation or cracks are found, replace the wheel immediately.
- Wash the wheels as you would any painted surface. Use only mild dishwashing liquid or a product made for car washing. Wash the wheels with a soft brush or sponge and rinse them thoroughly. Dry them with a soft towel or chamois.
- The wheels have a clear-coat finish. Do not use chrome cleaners or other harsh chemicals, including commercial wheel cleaners or stiff brushes that can damage the clear-coat finish.

INSTALLATION

NOTE:

- Have your authorized Honda dealer install the tires on your aluminum wheels.
 - Use only the wheel nuts that are included in this accessory kit.
 - Accessory wheel nut torque value may be different than the value shown in the Service Manual for the original equipment wheel.
1. Install tires onto the accessory wheels.
 2. Referring to the Service Manual for the ATV, remove the original equipment wheels.
 3. Install the center cap to the accessory wheel as shown.



4. Install the accessory wheel and tire to the ATV.
5. Install the accessory wheel nuts and tighten them to the specification in the Torque Chart.

