

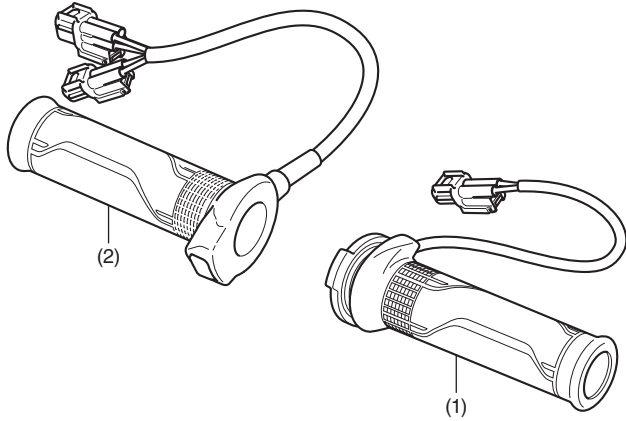


INSTALLATION INSTRUCTIONS

Accessory	Application	Publication No.
HEATED GRIPS P/N 08T71-MKK-D00	After '17 CRF1000L/LD	MII 16656
		Issue Date
		May 2018

Honda Dealer: Please give a copy of these instructions to your customer.

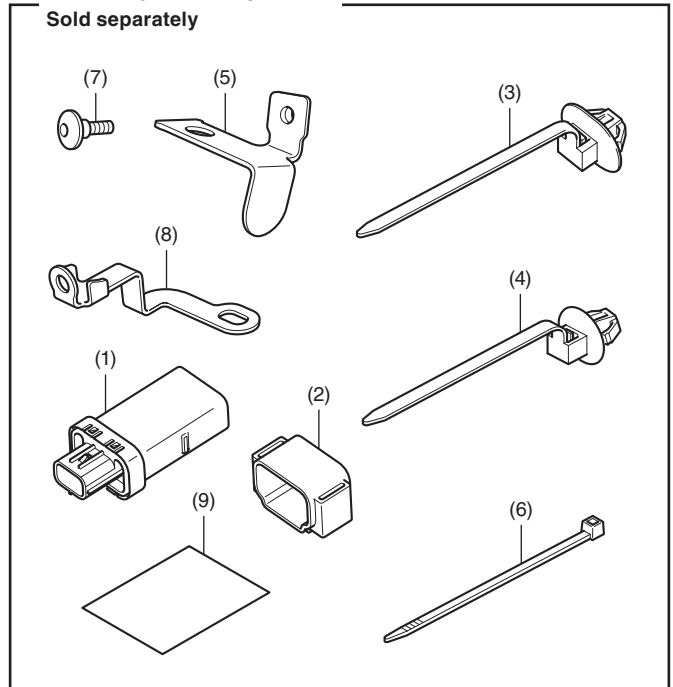
PARTS LIST



No.	Description	Qty
(1)	Right heated grip	1
(2)	Left heated grip	1

HEATED GRIP ATTACHMENT

Sold separately



No.	Description	Qty
(1)	Heater controller	1
(2)	Suspension	1
(3)	Clip band (long)	6
(4)	Clip band (short)	4
(5)	Heater controller stay	1
(6)	Wire tie	2
(7)	Screw SPL 5 x 11 mm	1
(8)	Clamp	1
(9)	Installation Instruction URL	1

TOOLS AND SUPPLIES REQUIRED

- Hex wrench (5 mm)
- Flat-tip screwdriver
- Snips
- Marker
- Ruler
- Pro Honda Handgrip Cement
- Thread lock
- Grease
- Isopropyl alcohol
- Shop towel
- Torque wrench

TORQUE CHART

Tighten all screws, bolts, and nuts to their specified torque values. Refer to the Service Manual for the torque values of the removed parts.

Item	N·m	kgf·m	lbf·ft
5 mm screw	4.2	0.4	3.1

INSTALLATION

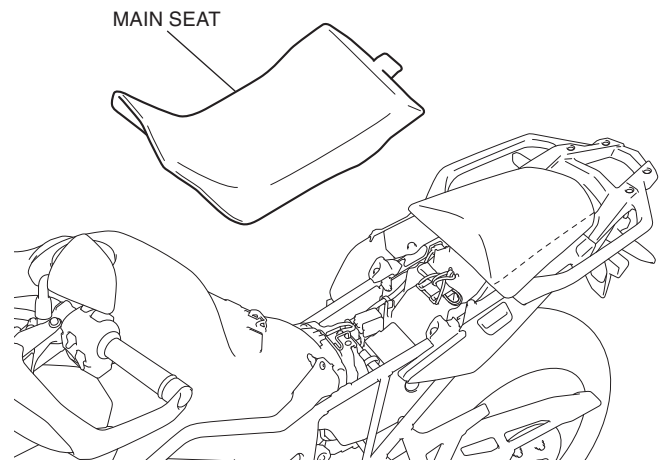
▲ CAUTION

- To prevent burns, allow the engine, exhaust system, radiator, etc., to cool before installing the accessory.
- Be sure to observe all safety messages and precautions described in the Service Manual while removing and installing the fuel tank.

NOTE:

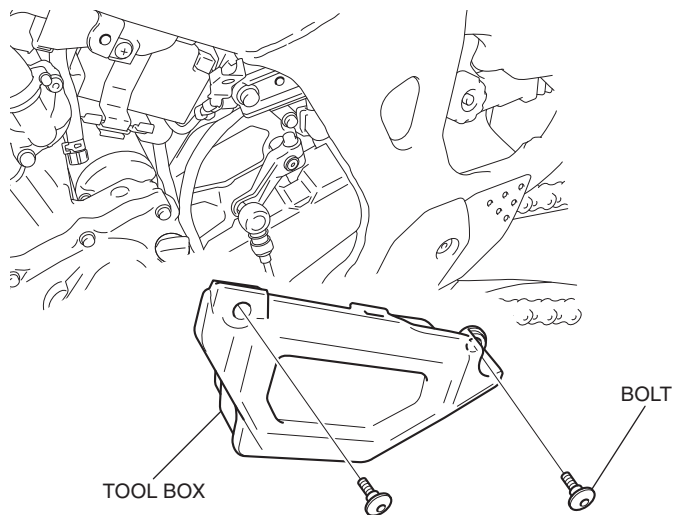
- Remove the right grip as instructed in the motorcycle's Service Manual.
- For secure adhesion of the heated grips use the recommended adhesive agent (Pro Honda Handgrip Cement) or equivalent.
- Be sure to open and close the throttle to check for smooth operation after installation of the right heated grip.
- Disconnect the negative (-) cable from the battery before installing this accessory.
- The memory of the clock will be erased when you disconnect the battery. Reset the clock after reconnecting the battery.
- Reinstall the removed parts on the motorcycle and make sure that the wires and harnesses are not pinched.
- Cut the wire tie 5 mm from the lock part after attaching them to the wire harnesses. Do not allow the cut part of the wire tie to interfere with another harness or brake hose.
- After heated grip installation, check the lights (e.g. right / left turn signal lights and brake lights) for proper operation.

1. Remove the main seat as shown.



2. Remove the tool box and disconnect the negative (-) cable from the battery.

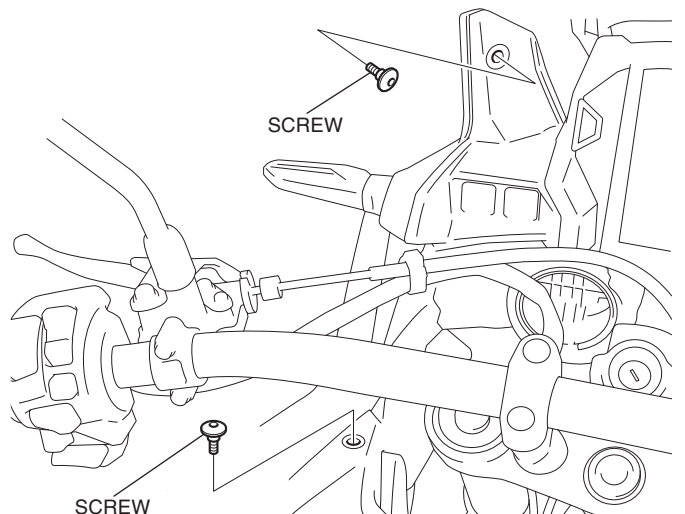
<Left side>



3. Remove the screws as shown.

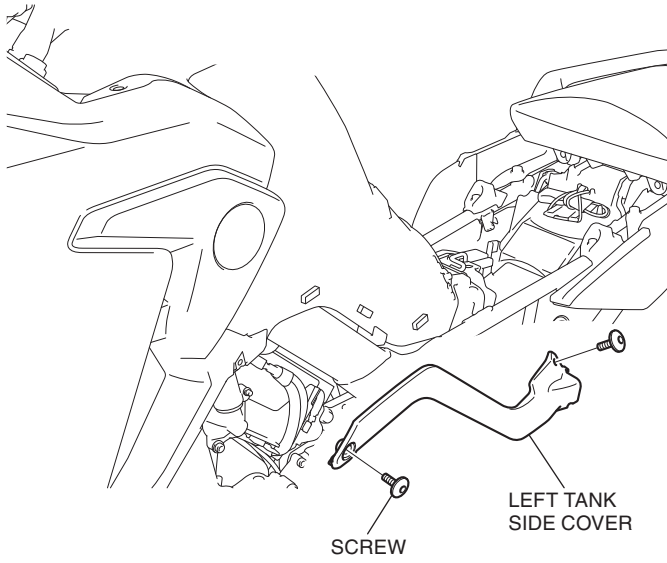
- Repeat on the right side.

<Left side>

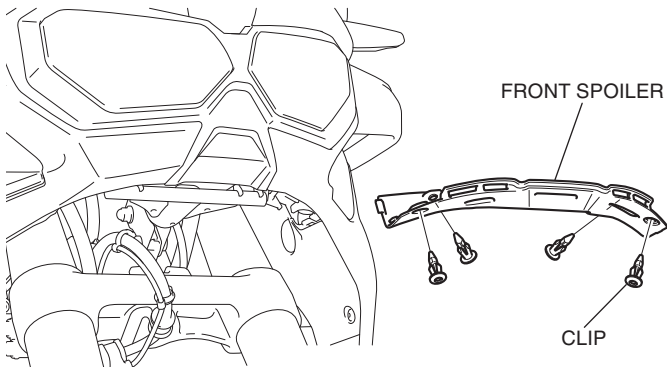


4. Remove the left tank side cover as shown.

<Left side>



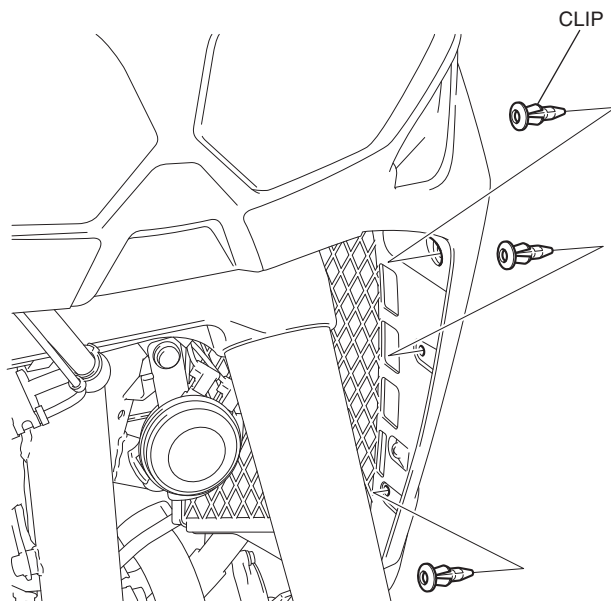
5. Remove the front spoiler as shown.



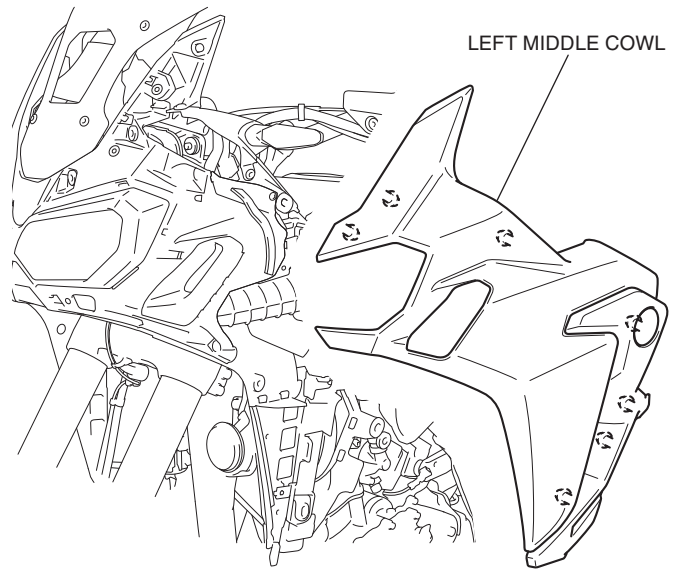
6. Remove the clips as shown.

- Repeat on the right side.

<Left side>

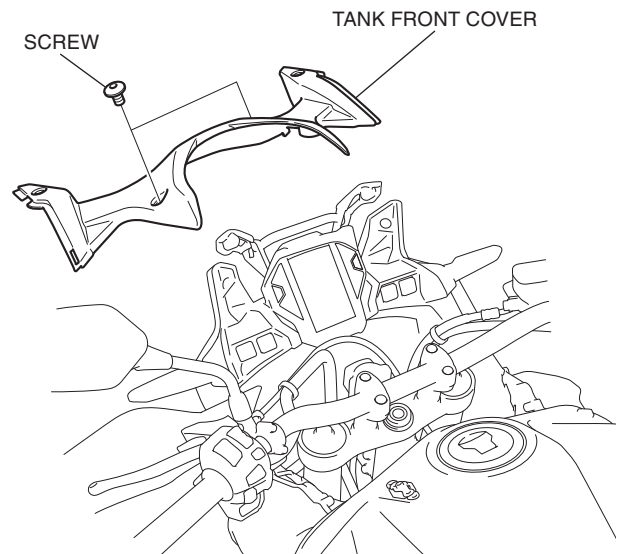


7. Remove the left middle cowl as shown.

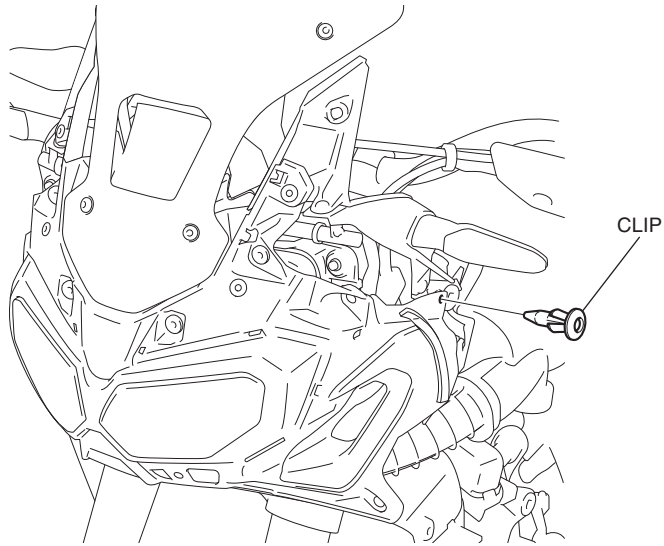


8. Remove the right tank side cover and right middle cowl in the same manner as the left side.

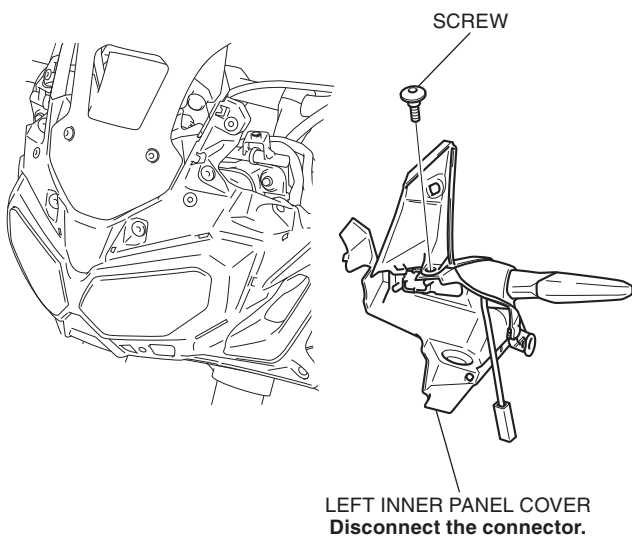
9. Remove the tank front cover as shown.



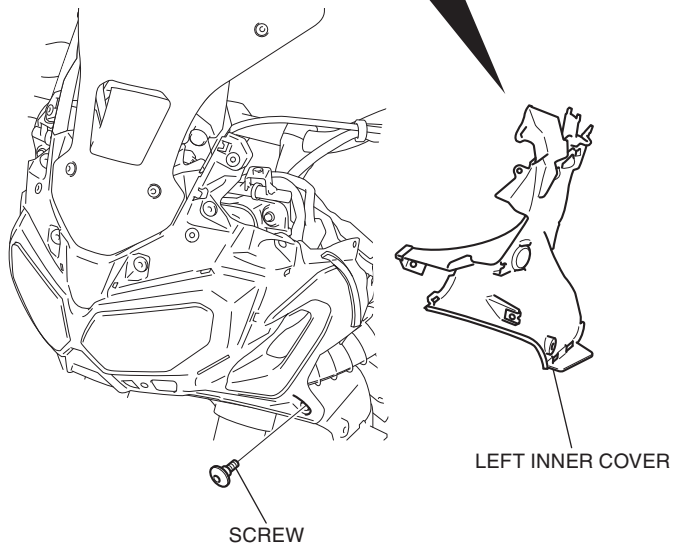
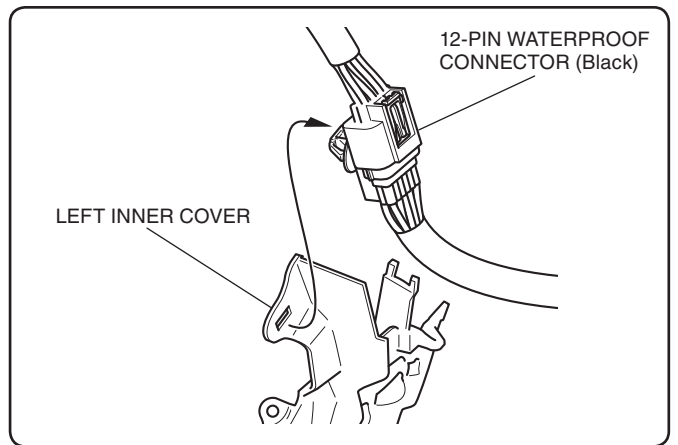
10. Remove the clips as shown.
- Repeat on the right side.



11. Remove the left inner panel cover as shown.



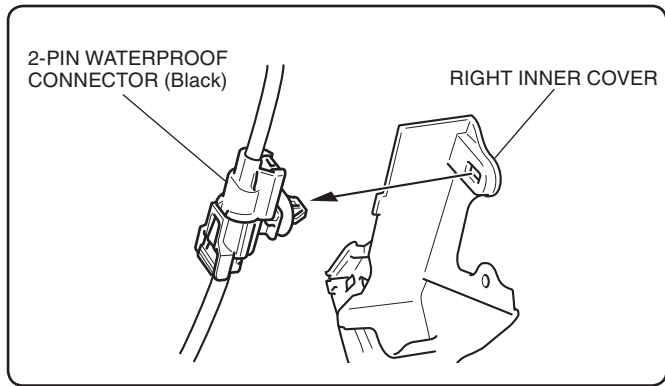
12. Remove the left inner cover as shown.



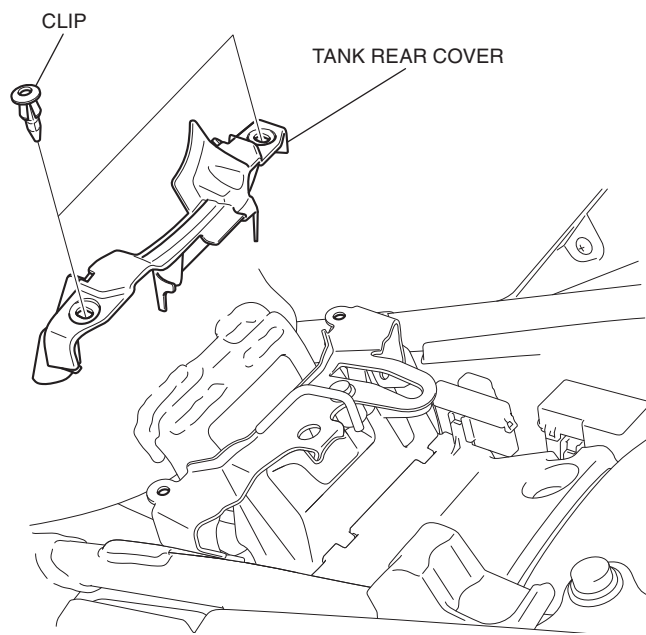
13. Remove the right inner panel cover in the same manner as the left side.

14. Remove the right inner cover as shown.

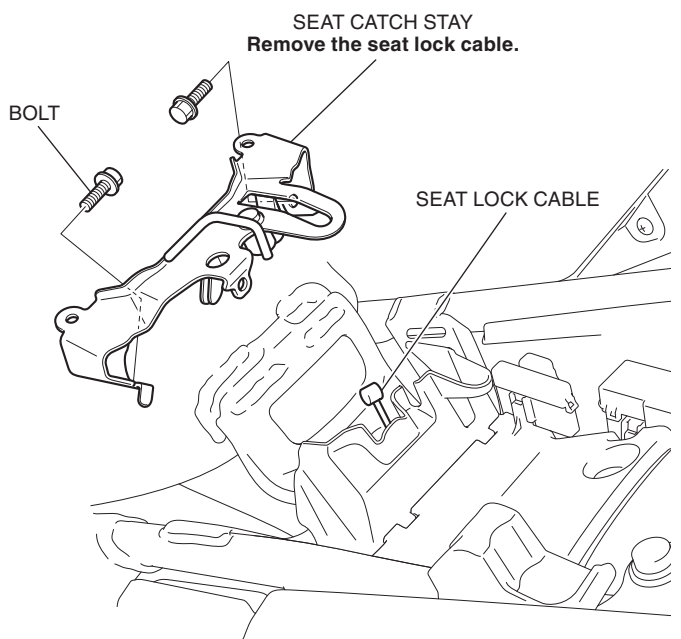
<Right side>



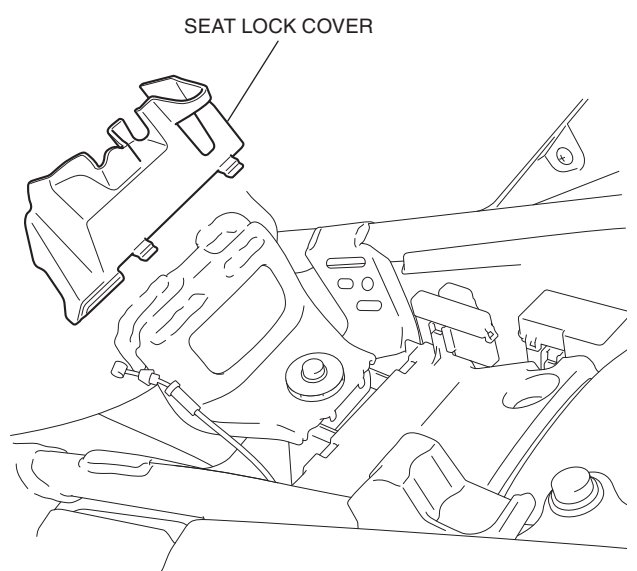
15. Remove the tank rear cover as shown.



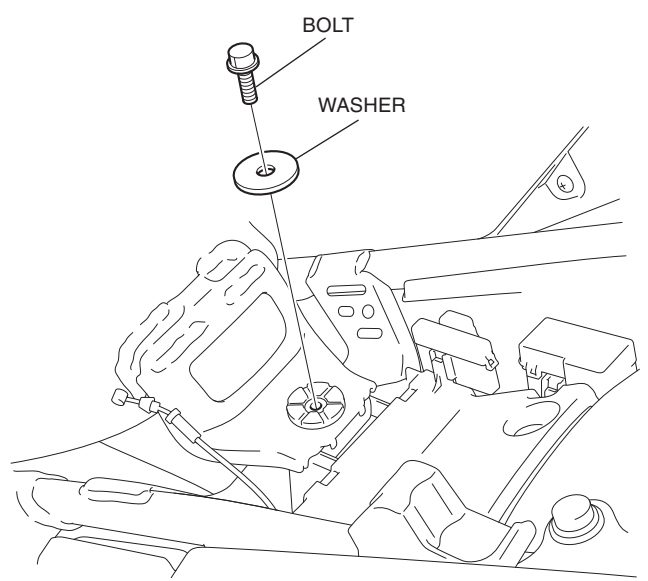
16. Remove the seat catch stay as shown.



17. Remove the seat lock cover as shown.

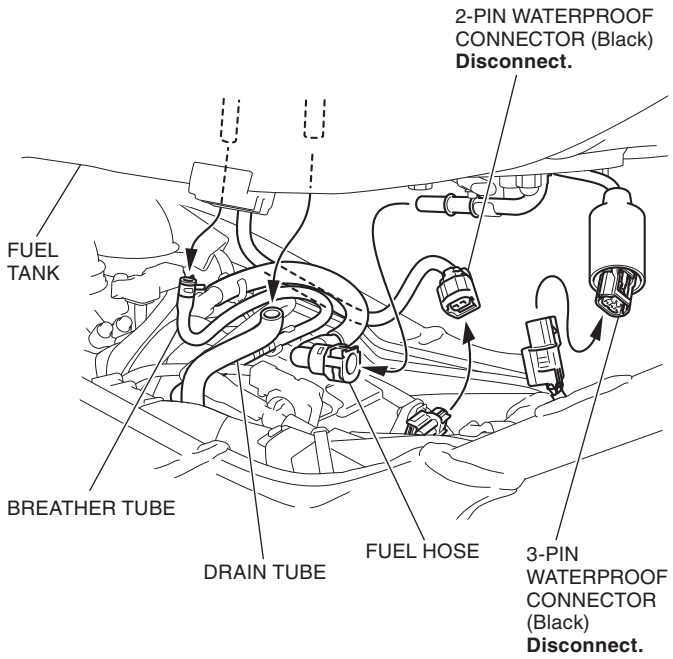


18. Remove the bolt as shown.

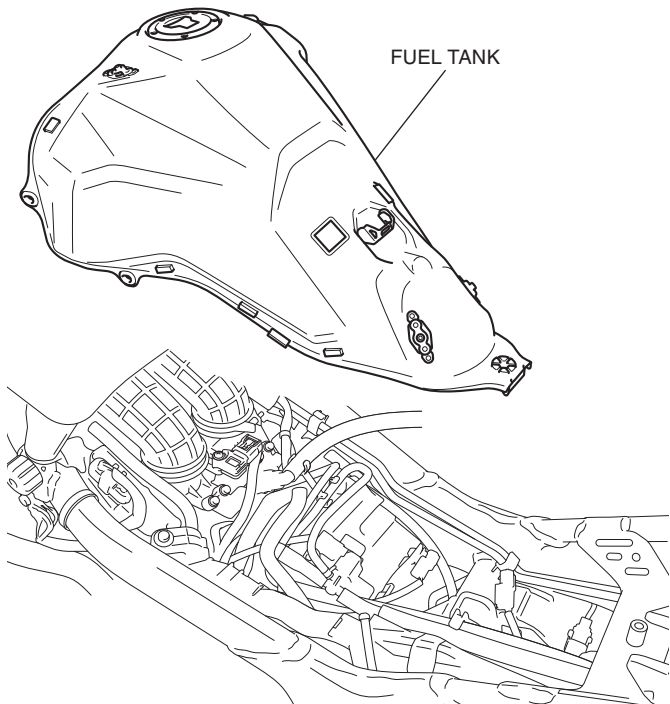


19. Remove the indicated parts by raising the fuel tank as shown.

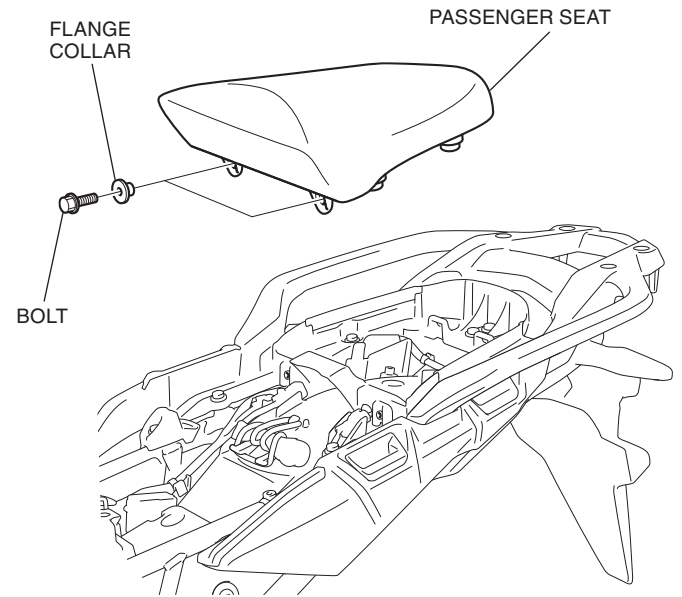
<Left side>



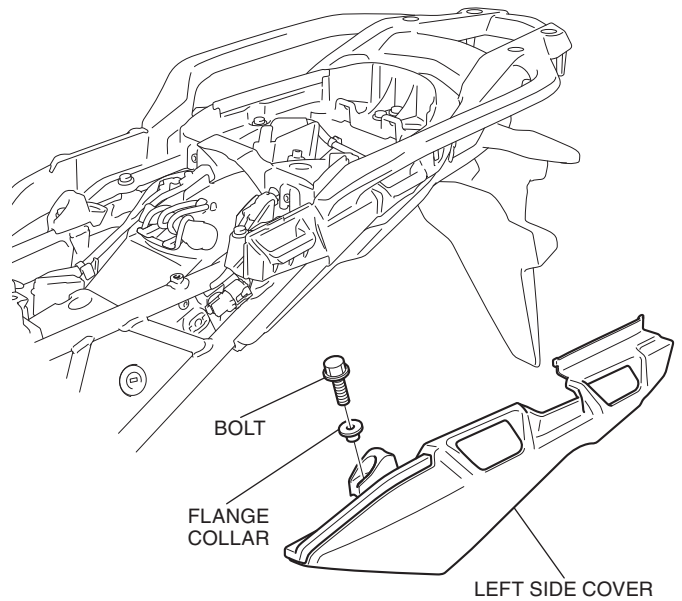
20. Remove the fuel tank as shown.



21. Remove the passenger seat as shown.

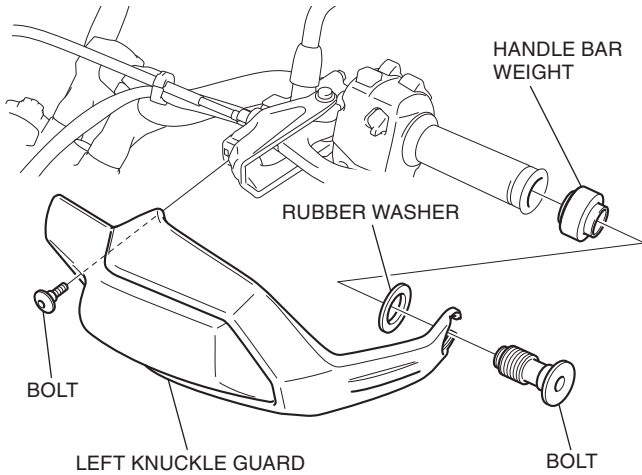


22. Remove the left side cover as shown.



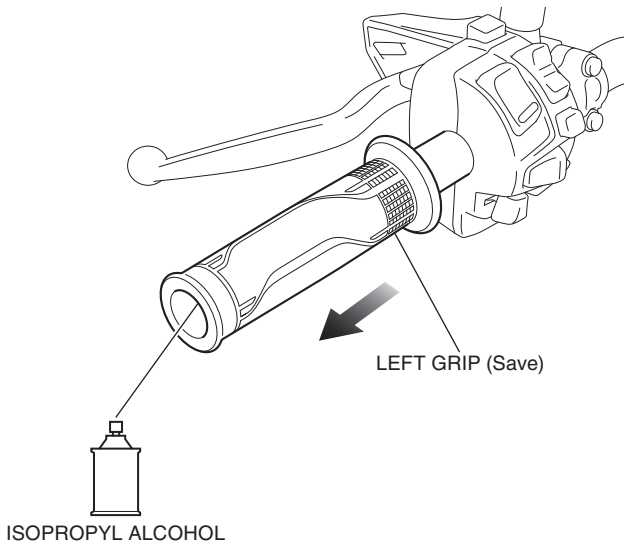
23. Remove the parts as shown.
 • Repeat on the right side.

<Left side>

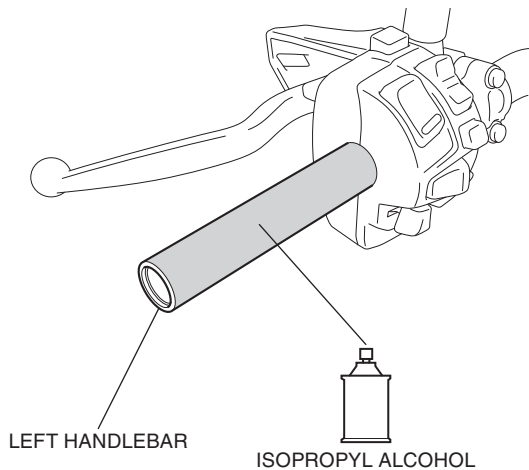


24. Remove the left grip as shown.

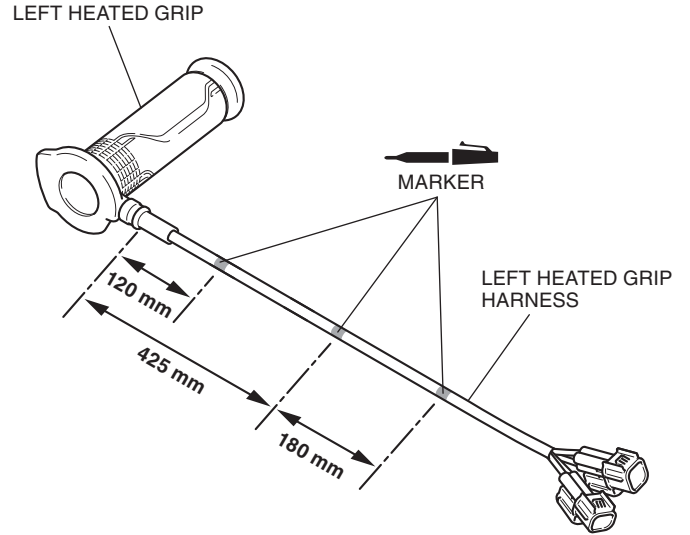
<Left side>



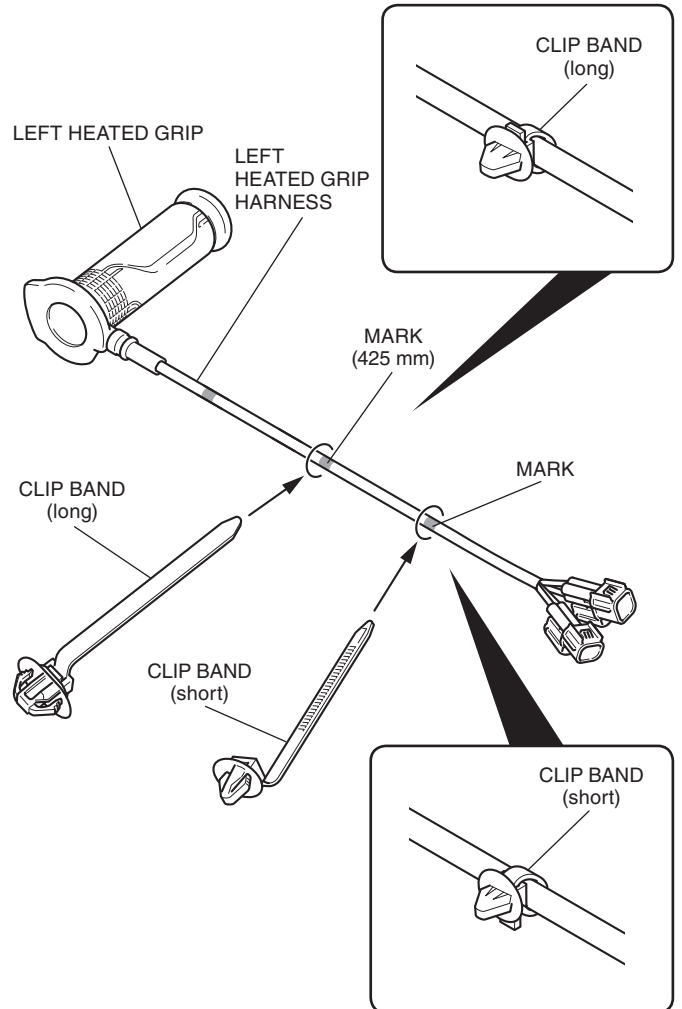
25. Using isopropyl alcohol, remove all traces of adhesive from the left handlebar.



26. Mark the left heated grip harness at the positions shown.



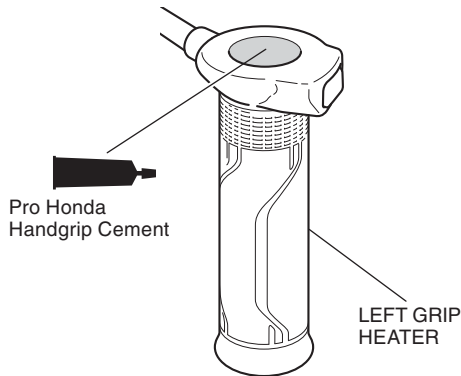
27. Install the clip bands on the marked positions as shown.



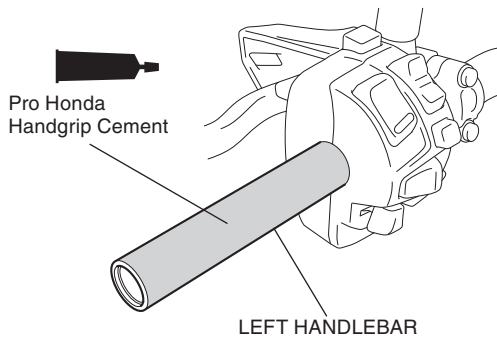
28. Liberally apply the Pro Honda Handgrip Cement to the inside of the left heated grip from kit as shown.

NOTE

Read the Instructions of the steps 28 through 31 carefully before operation and complete the installation quickly before the adhesive agent cures. Use an assistant to steady the motorcycle while installing the grips.

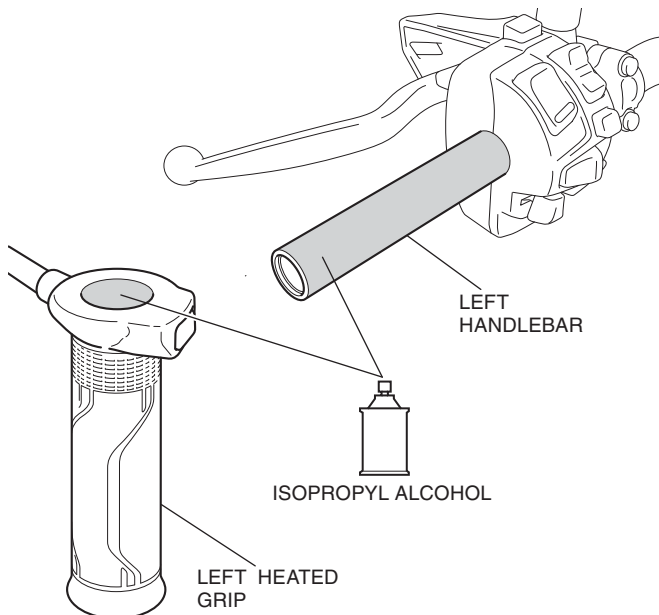


29. Apply the Pro Honda Handgrip Cement to the left handlebar as shown.



30. Spray isopropyl alcohol over the inside of the heated grip and outside of the left handlebar.

- **This is done to ease alignment between the heated grip and the handlebar.**

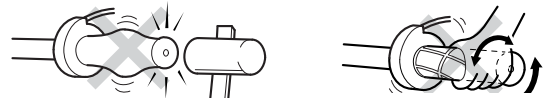


31. Slide the left heated grip onto the left handlebar as indicated.

- **Use an assistant to steady the motorcycle while installing the grips.**
- **Wipe up excess adhesive at once.**

NOTICE

- Do not tap on the grip end with a hammer and do not twist the grip to install the heated grip onto the handlebar, as it can damage the element.

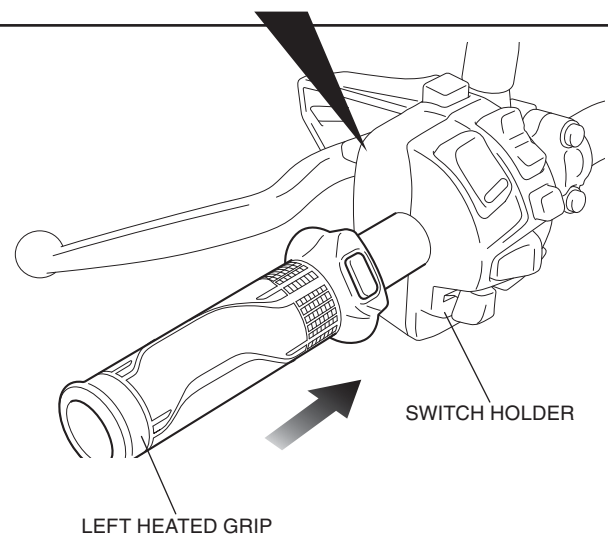
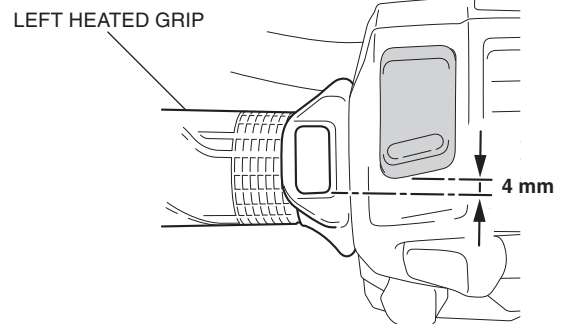


- Avoid putting pressure on the switch part when inserting the left heated grip. There is a possibility that the switch part will break. Also, install so that there is no gap with the switch holder.



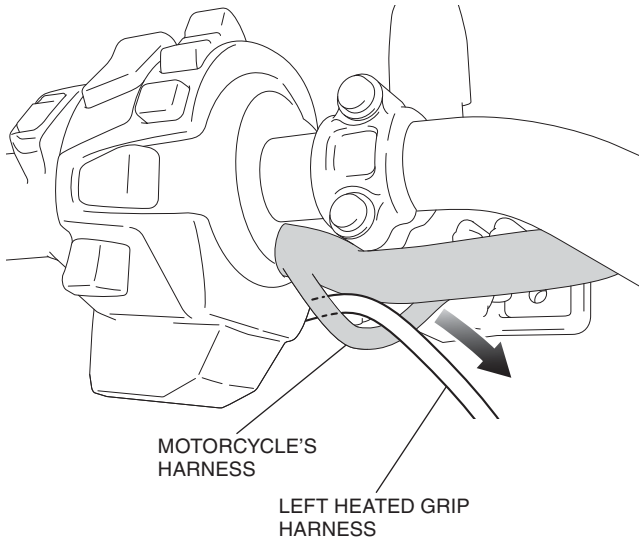
- If the grip gets stuck halfway during installation, apply isopropyl alcohol to the gap between the heated grip. Do not try to remove the heated grip using force or a screwdriver, etc. Damage to the heated grip wire can result.

Insert until there is contact with the switch holder, then align the indicated position.



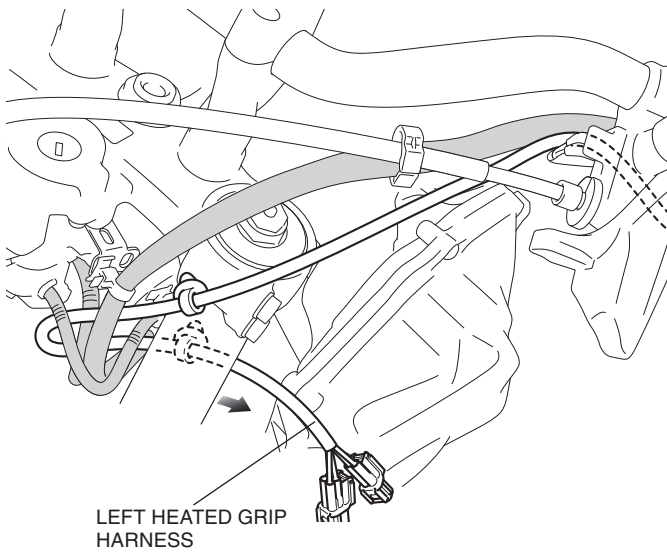
32. Route the left heated grip harness as shown.

<Left side>

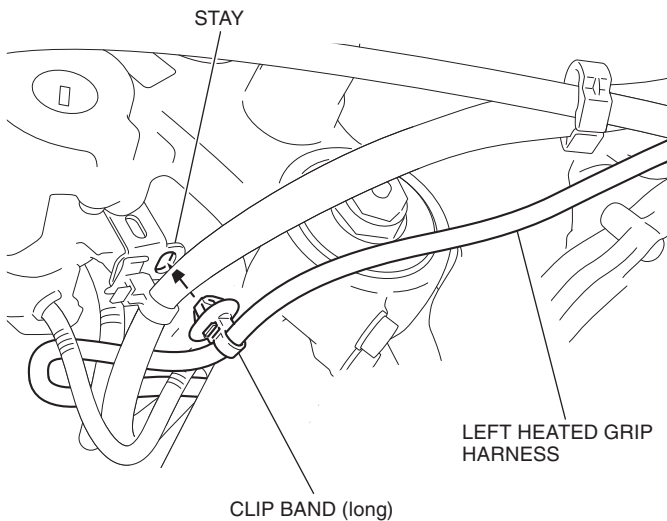


33. Route the left heated grip harness as shown.

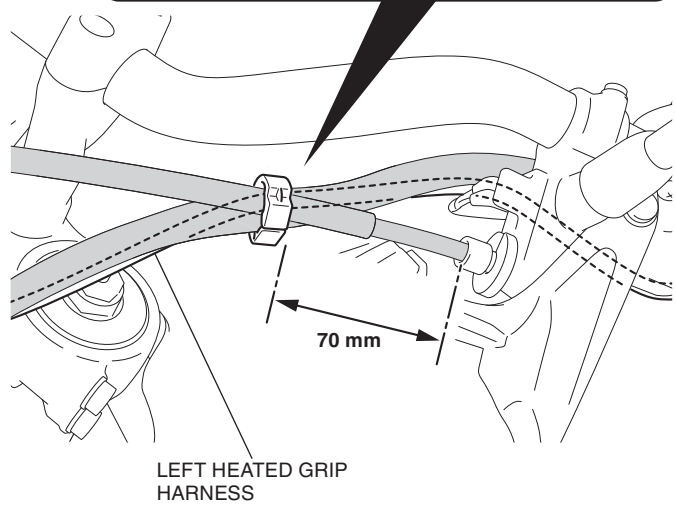
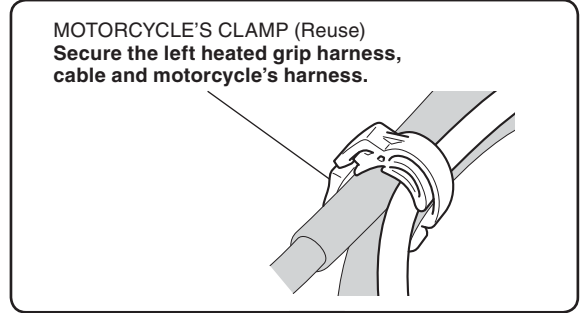
<Left side>



34. Secure the left heated grip harness as shown.

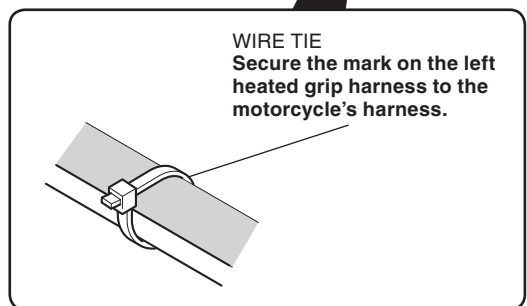
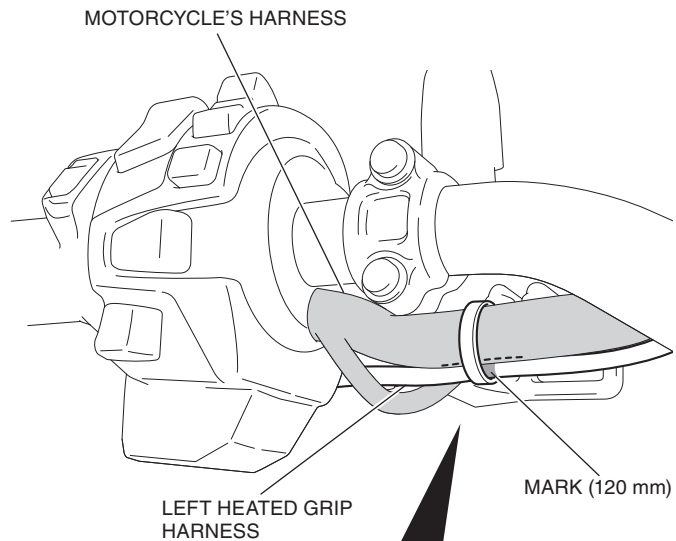


35. Secure the left heated grip harness with the motorcycle's clamp as shown.



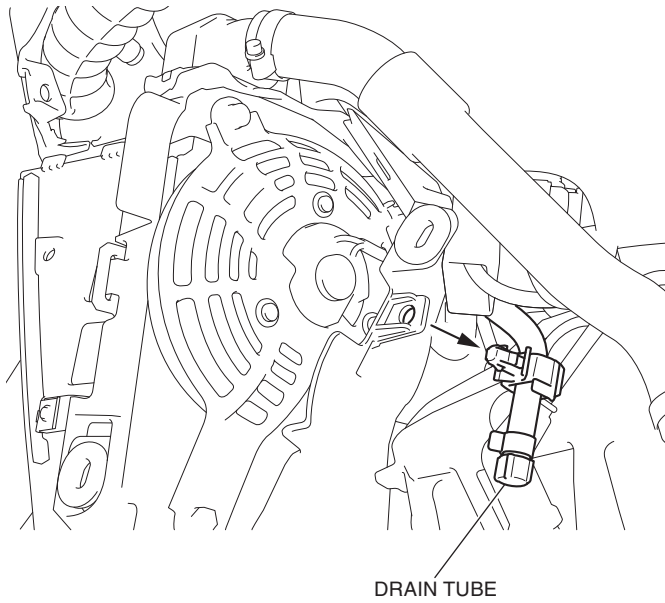
36. Secure the left heated grip harness with the wire tie as shown.

<Left side>

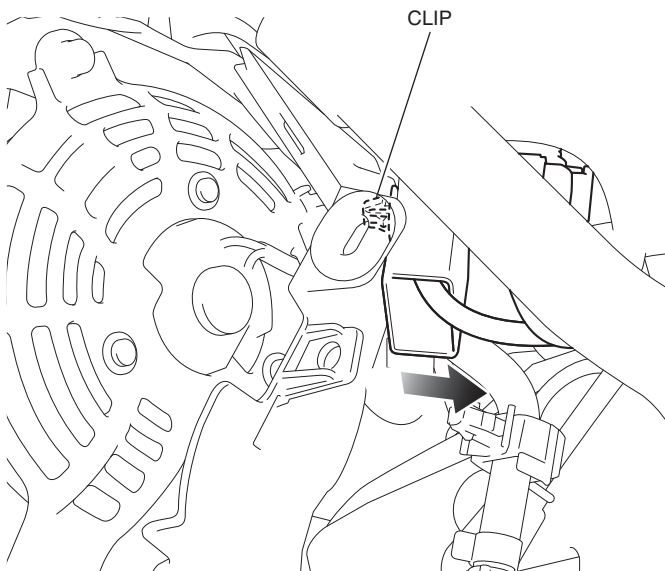


37. Remove the drain tube as shown.

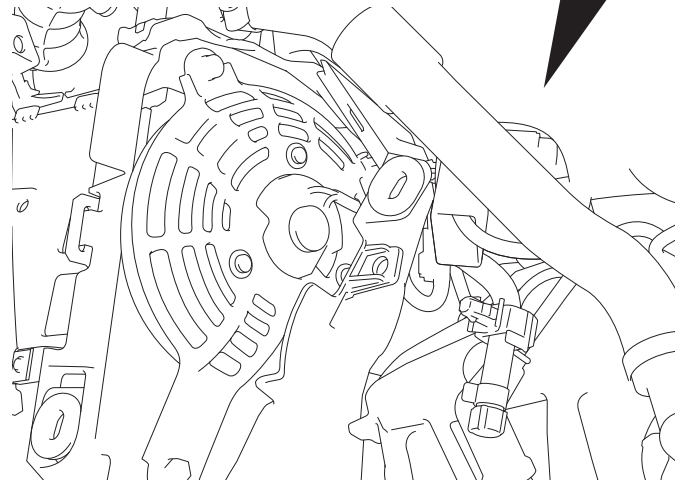
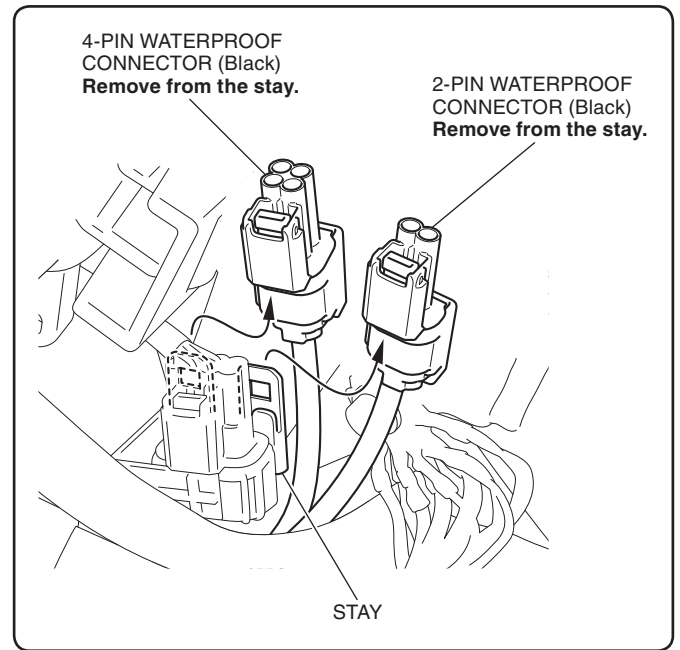
<Left side>



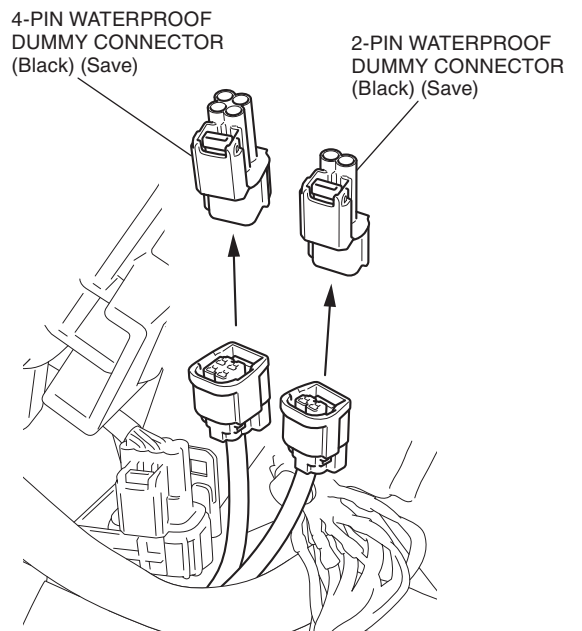
38. Remove the clip as shown.



39. Remove the connectors from the stay as shown.

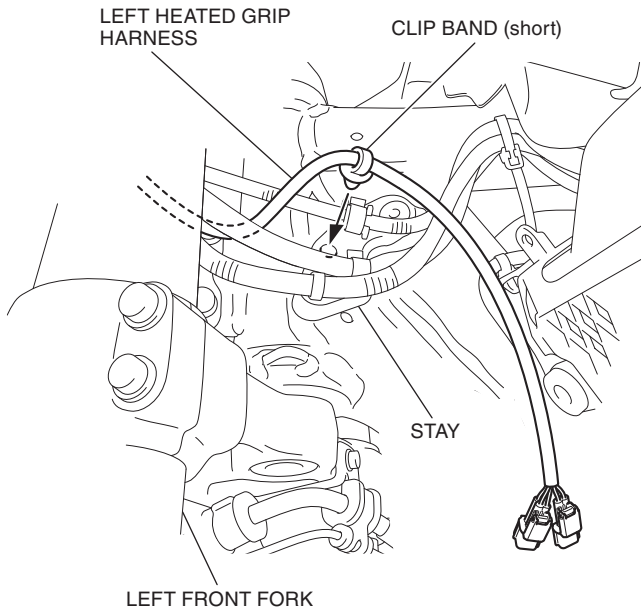


40. Remove the dummy connectors as shown.



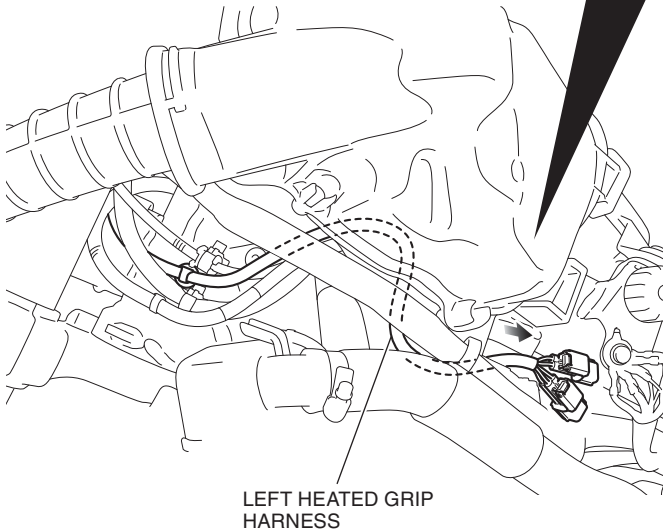
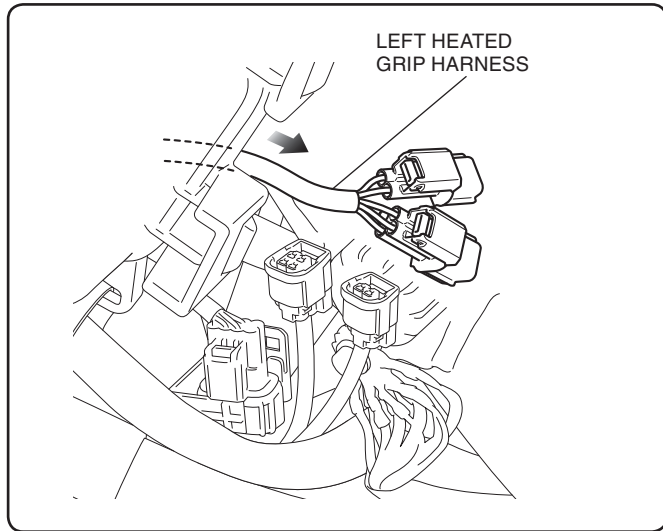
41. Route and secure the left heated grip harness as shown.

<Left side>

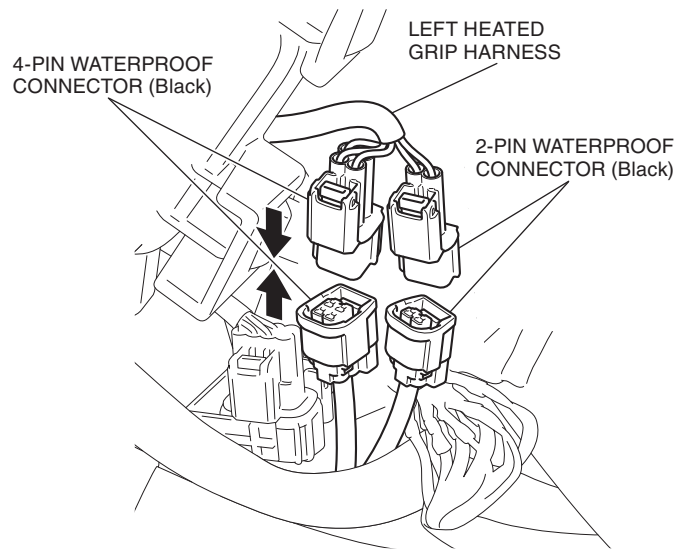


42. Route the left heated grip harness as shown.

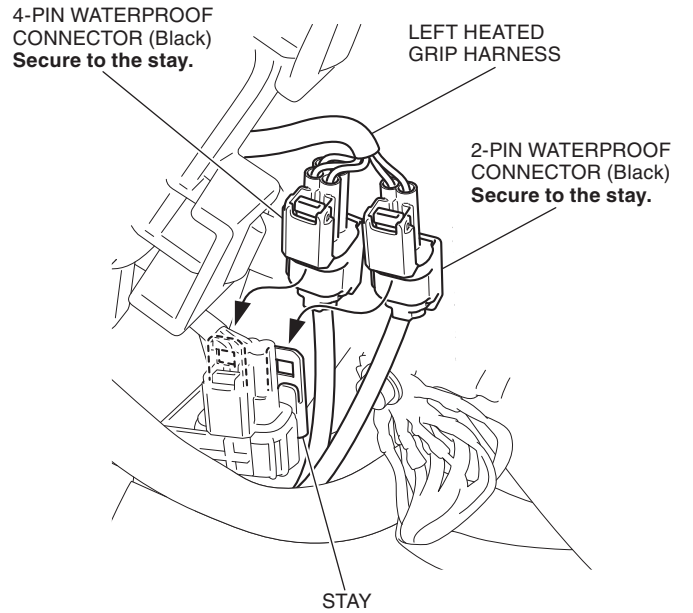
<Left side>



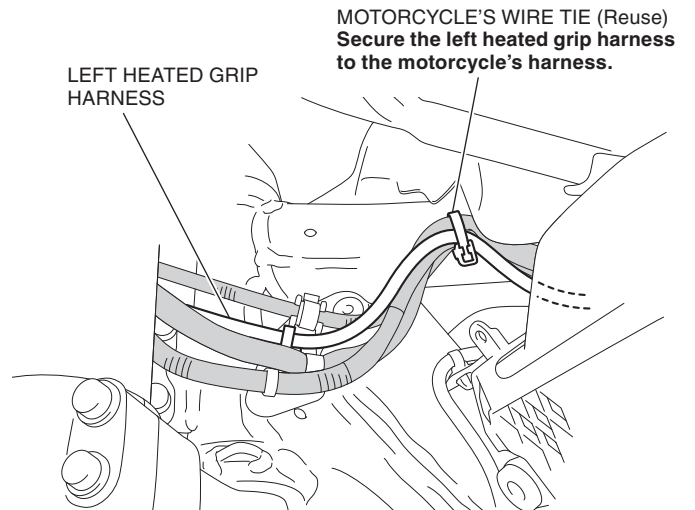
43. Connect the left heated grip harness as shown.



44. Secure the left heated grip harness to the stay.

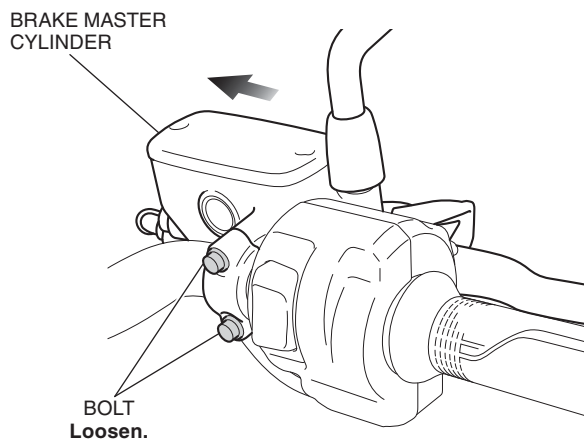


45. Secure the left heated grip harness with the wire tie as shown.



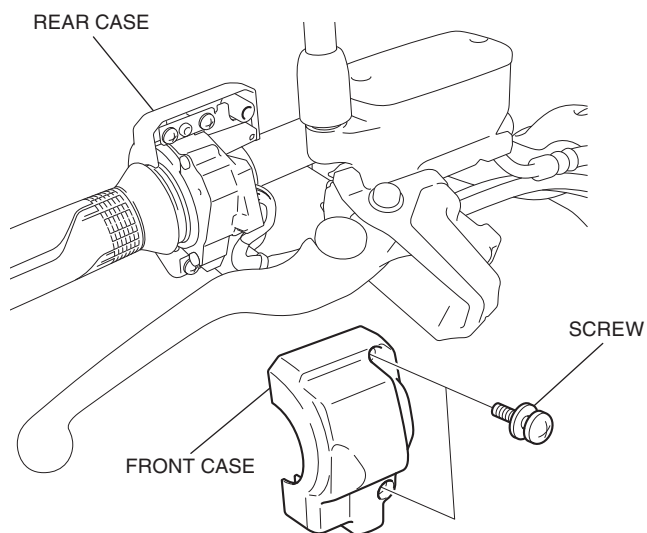
46. Loosen the bolts and move the brake master cylinder as shown.

<Right side>

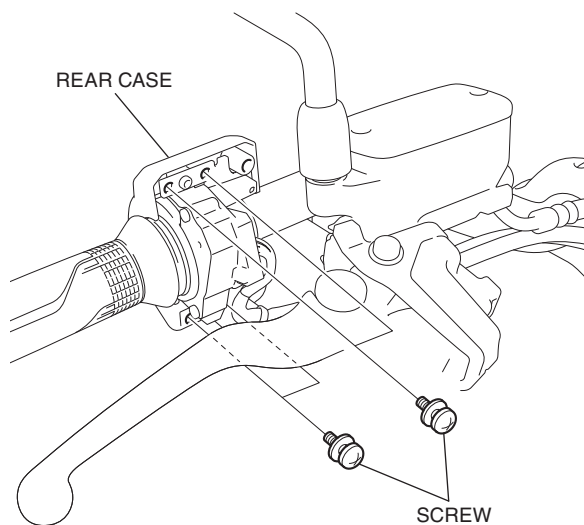


47. Remove the front case as shown.

<Right side>



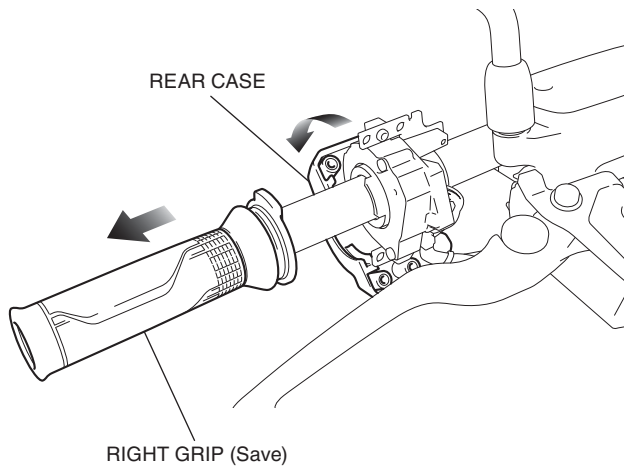
48. Remove the screws as shown.



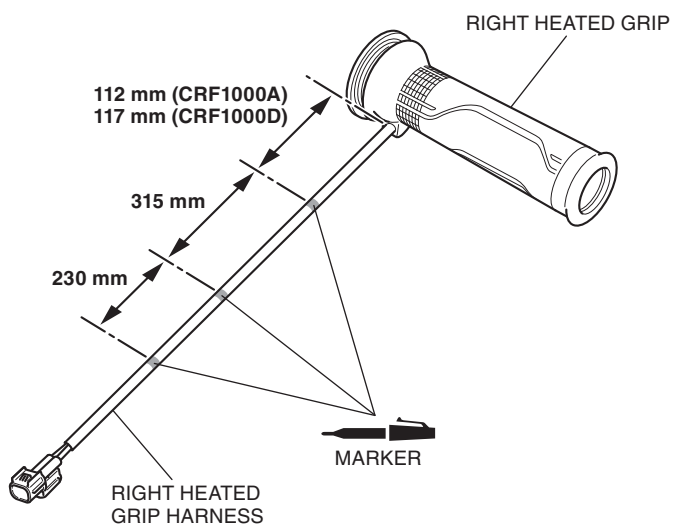
49. Remove the right grip as shown.

NOTE

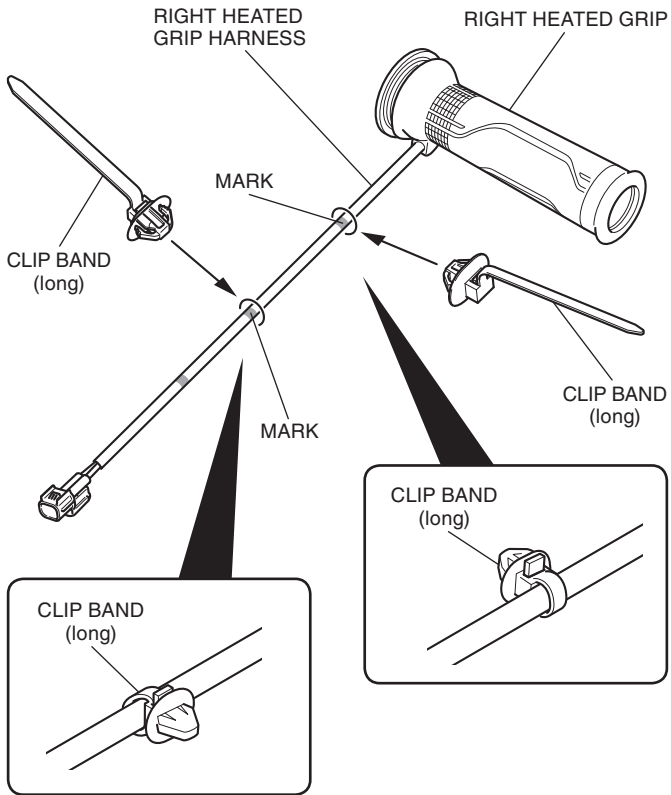
Remove the right grip as instructed in the motorcycle's Service Manual.



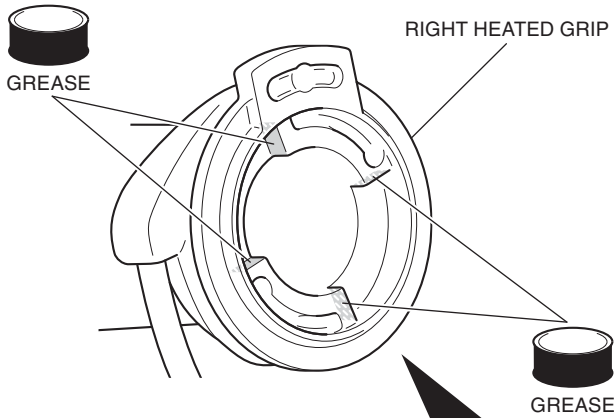
50. Mark the right heated grip harness at the positions shown.



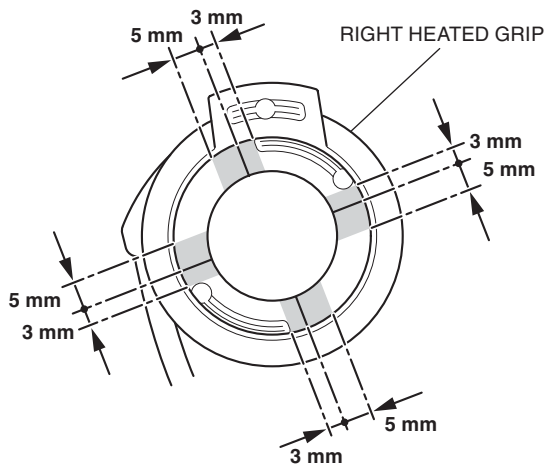
51. Install the clip bands at the marked positions as shown.



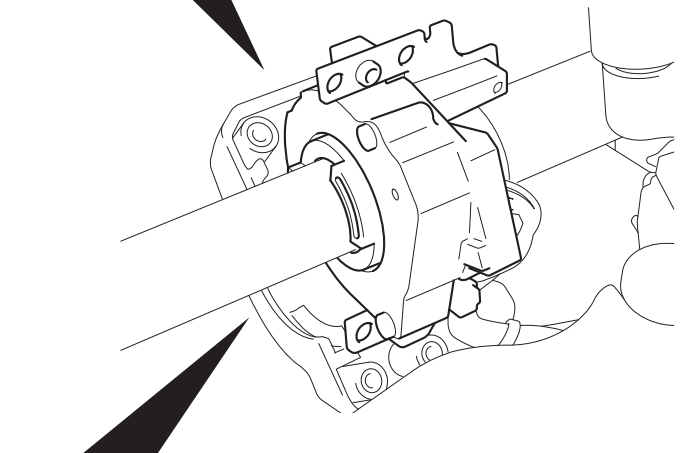
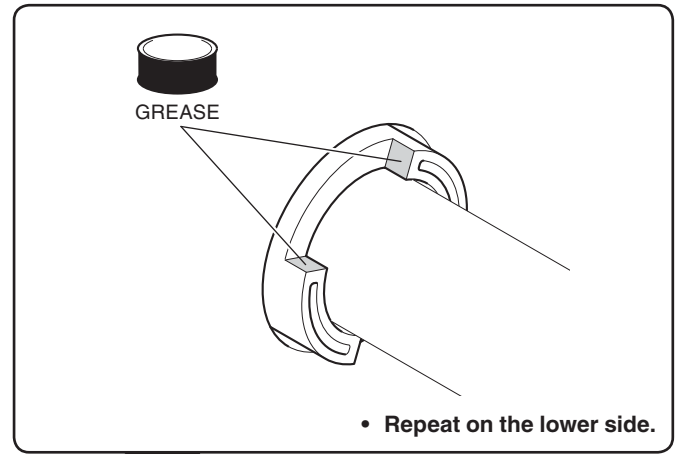
52. Apply grease to the gray areas as shown.



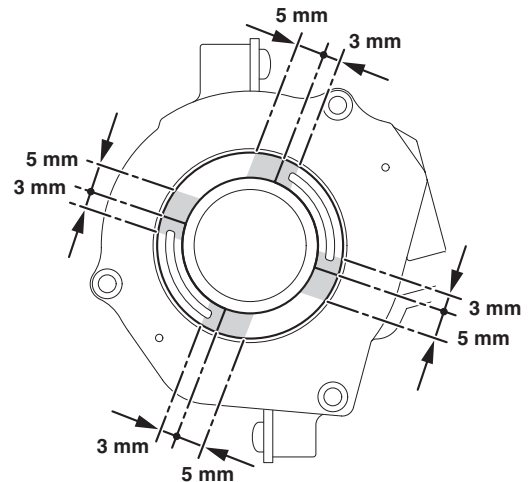
Be careful not to apply grease outside of the dimensions shown.



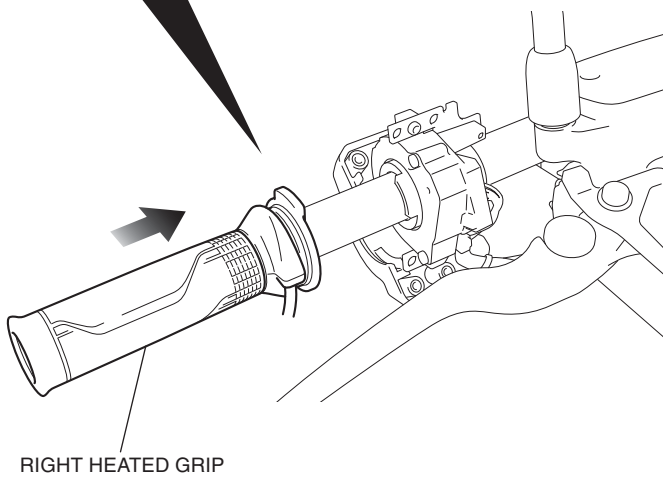
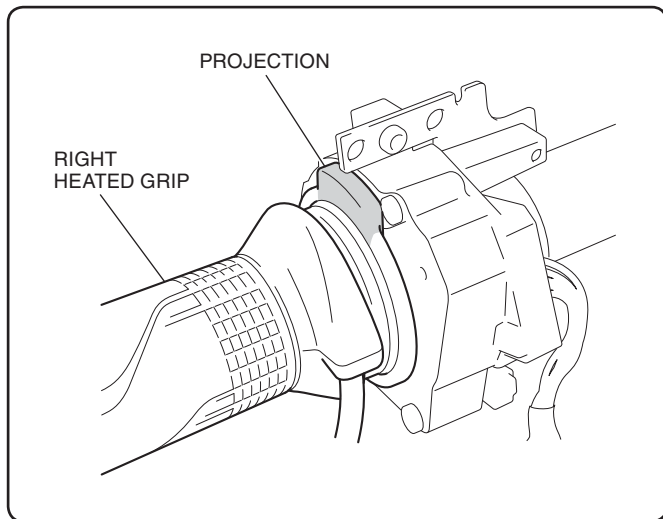
53. Apply grease to the gray areas as shown.



Be careful not to apply grease outside of the dimensions shown.



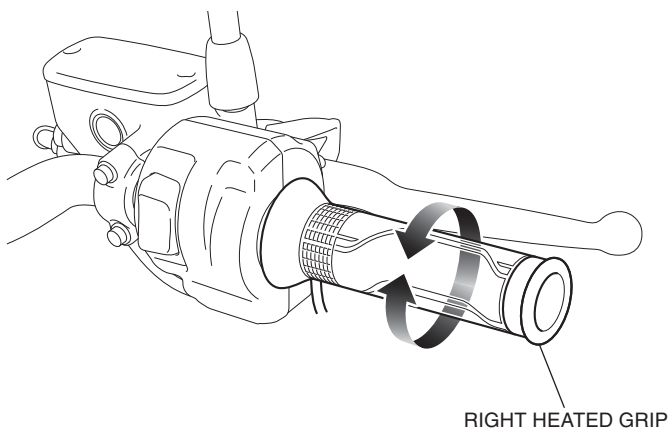
54. Install the right heated grip as shown.



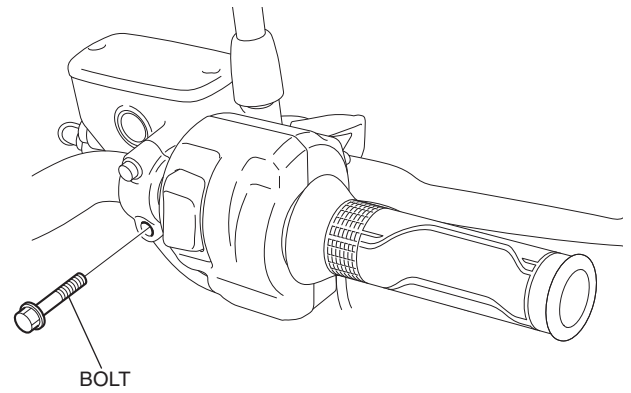
55. Install the front and rear case in the reverse order of removal.

56. Twist the throttle grip as shown.

- **Check for smooth opening of the throttle and that it automatically snaps closed from any opening, in all steering positions.**



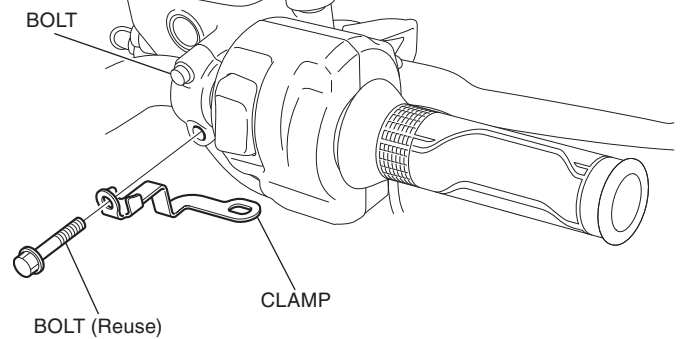
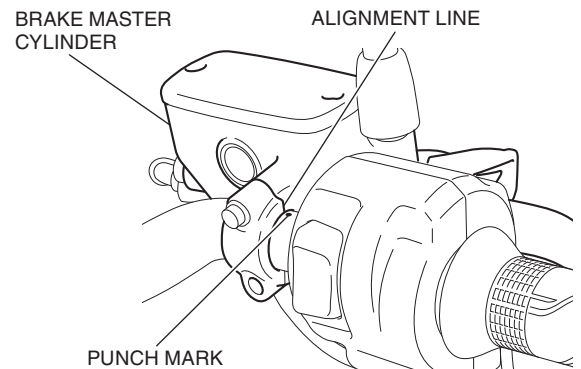
57. Remove the bolt as shown.



58. Install the clamp as shown.

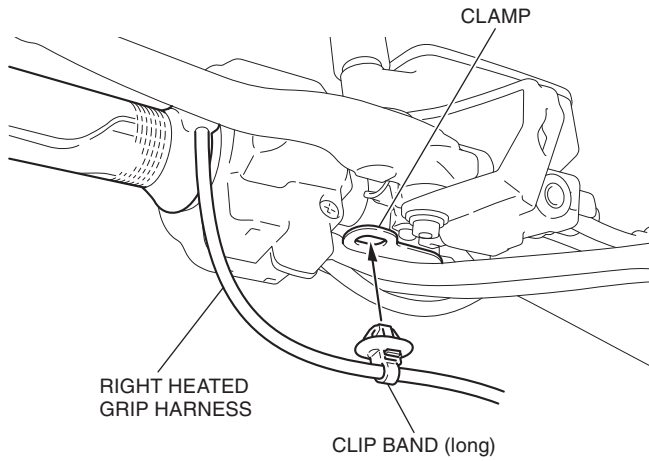
- **Tighten the upper bolt first, then tighten the lower bolt.**

Align the brake master cylinder matching surface with the punch mark.

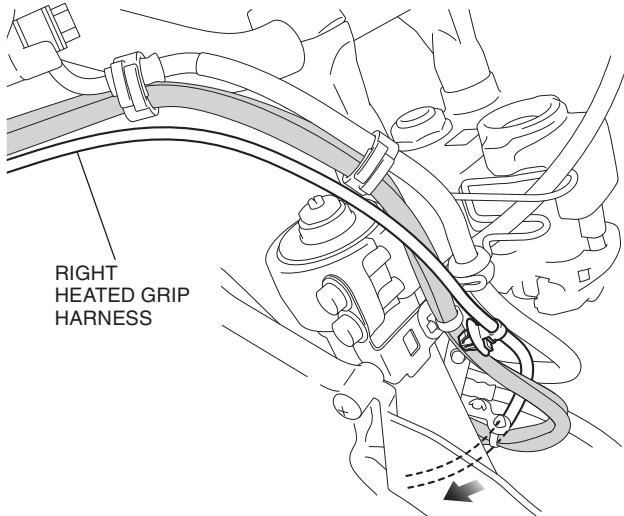


59. Secure the right heated grip harness as shown.
- **Open and close the throttle and confirm that there is no tightness of the heated grip harness.**

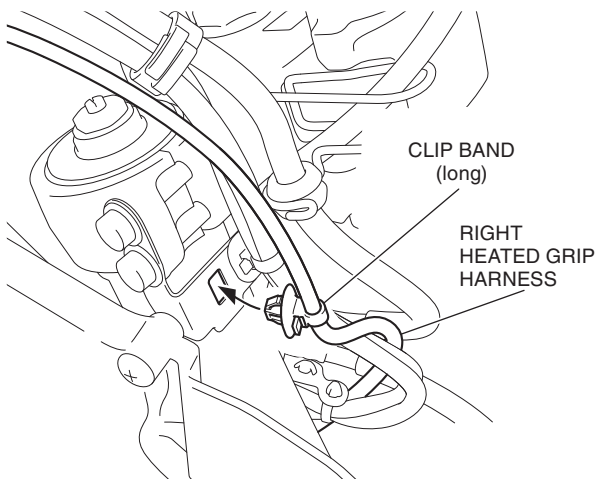
<Right side>



60. Route the right heated grip harness as shown.
- <Right side>

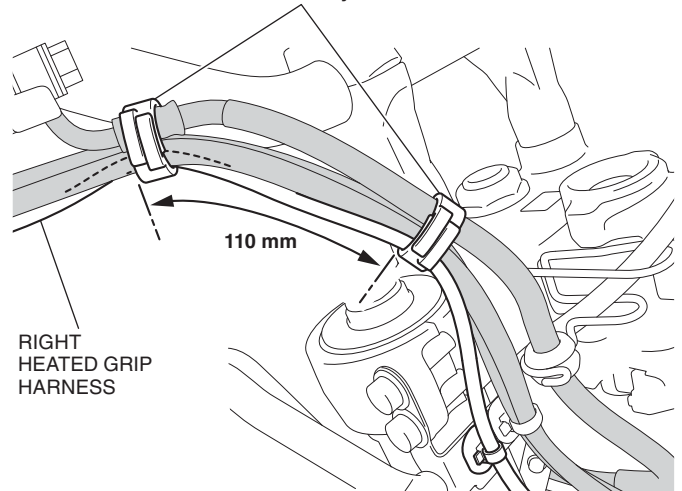


61. Secure the right heated grip harness as shown.

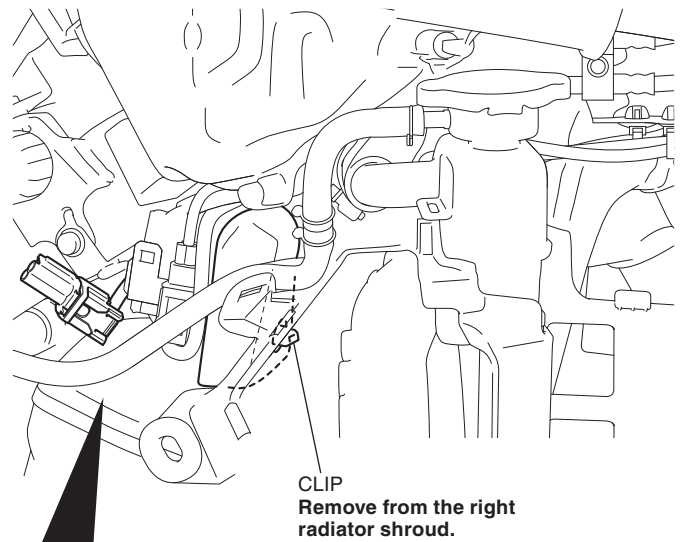


62. Secure the right heated grip harness with the clamps as shown.

MOTORCYCLE'S CLAMP (Reuse)
Secure the right heated grip harness, brake hose and motorcycle's harness.

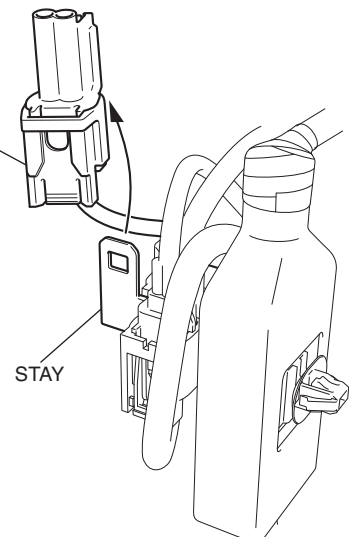


63. Remove the connector as shown.
- <Right side>

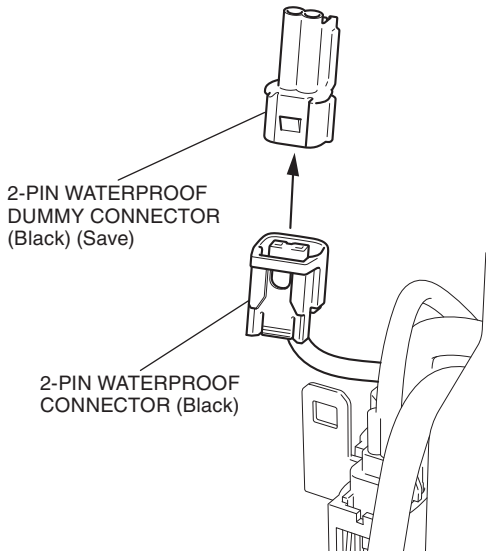


Remove the connector as shown.

2-PIN WATERPROOF CONNECTOR (Black)
Remove from the stay.

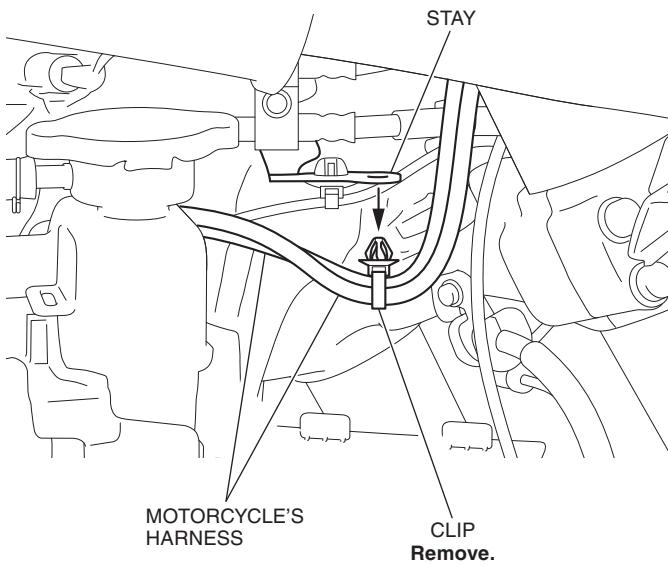


64. Remove the dummy connector as shown.

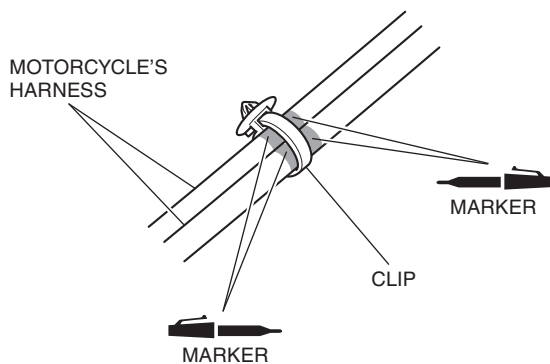


65. Remove the clip as shown.

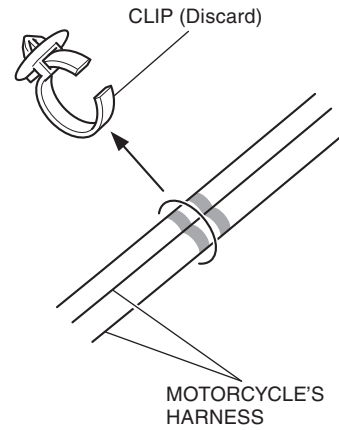
<Right side>



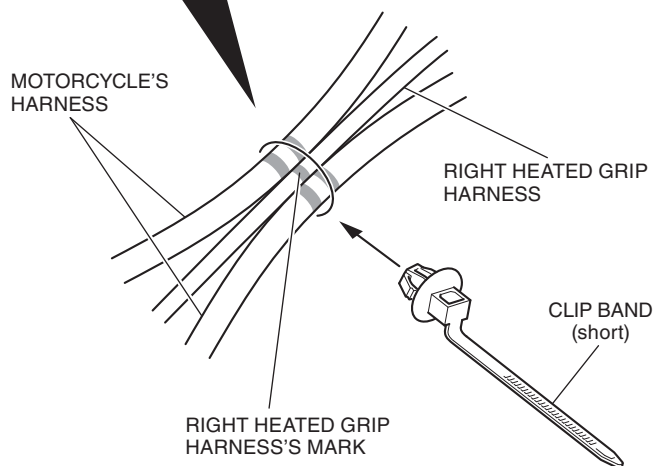
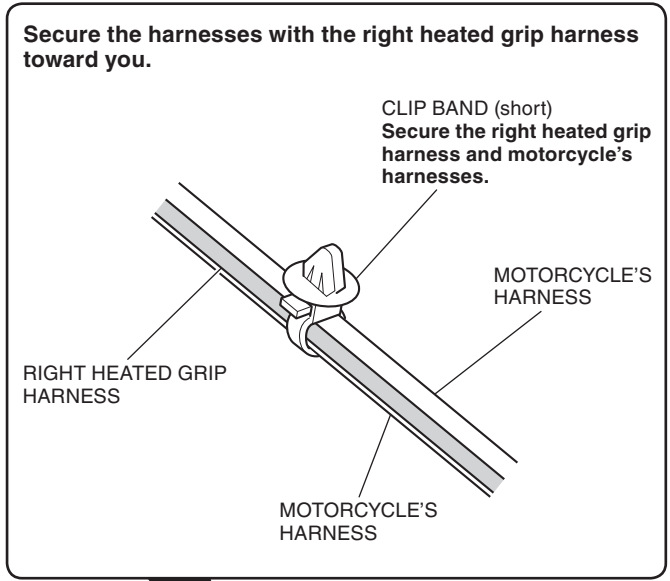
66. Mark the harnesses at the position shown.



67. Remove the clip from the motorcycle's harnesses as shown.

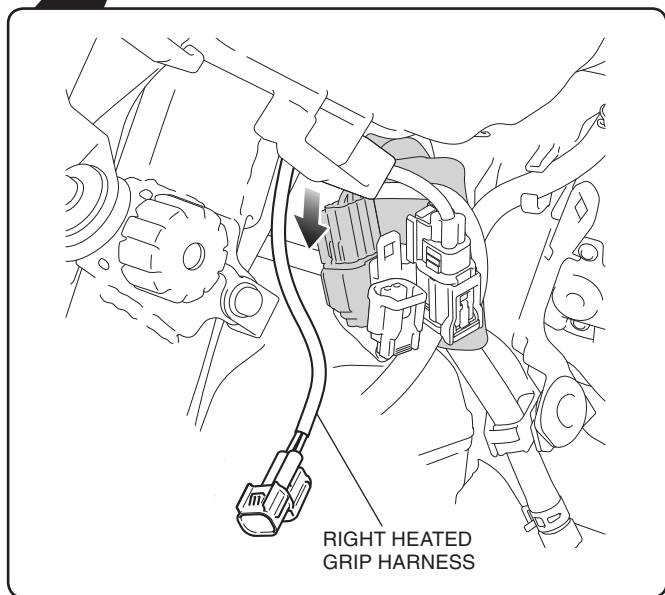
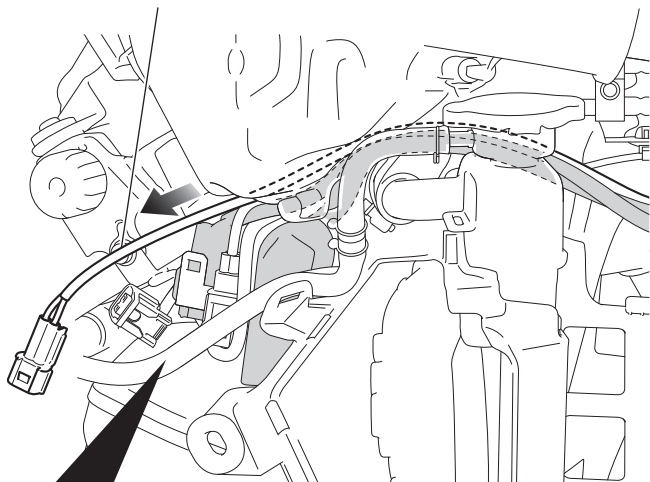


68. Install the clip band as shown.

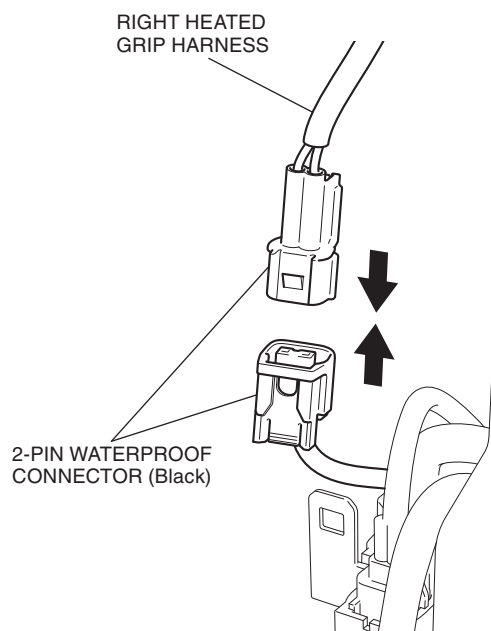


69. Route the right heated grip harness as shown.

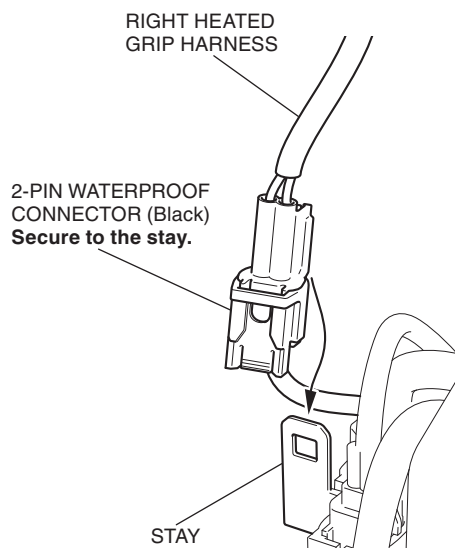
RIGHT HEATED GRIP HARNESS



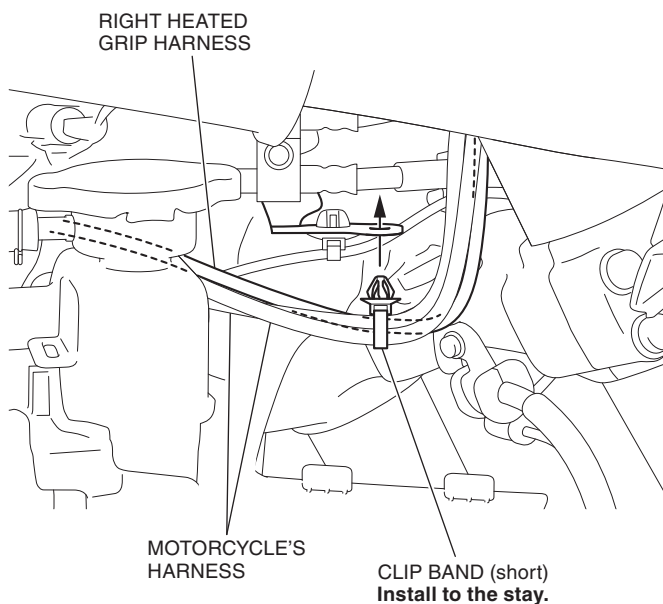
70. Connect the right heated grip harness as shown.



71. Secure the right heated grip harness as shown.

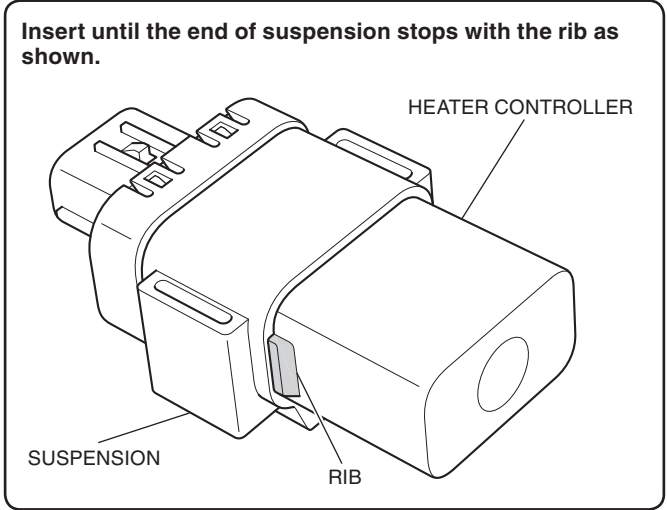
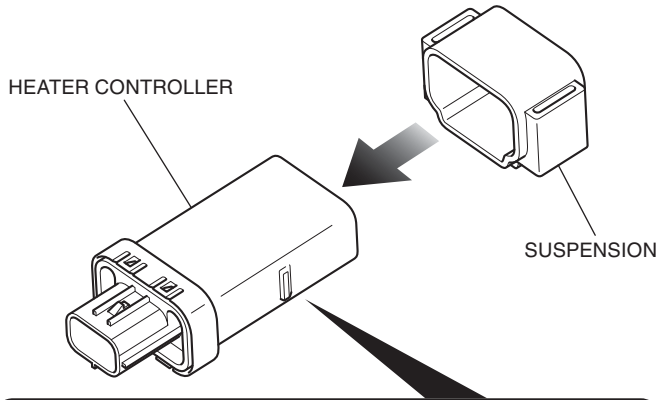


72. Secure the right heated grip harness as shown.

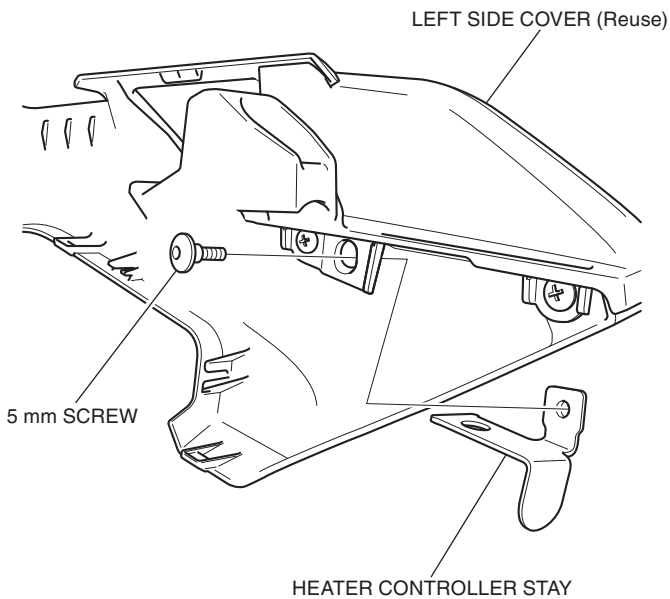


73. Check each harness for sufficient play.
- Move the handlebar right and left and check that the harnesses are not pinched by neighboring components and that they are not pulled taut.

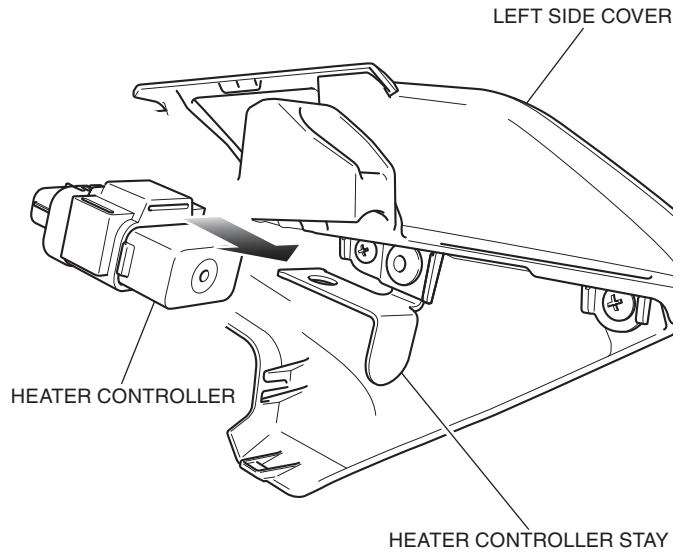
74. Install the suspension as shown.



75. Install the heater controller stay as shown.

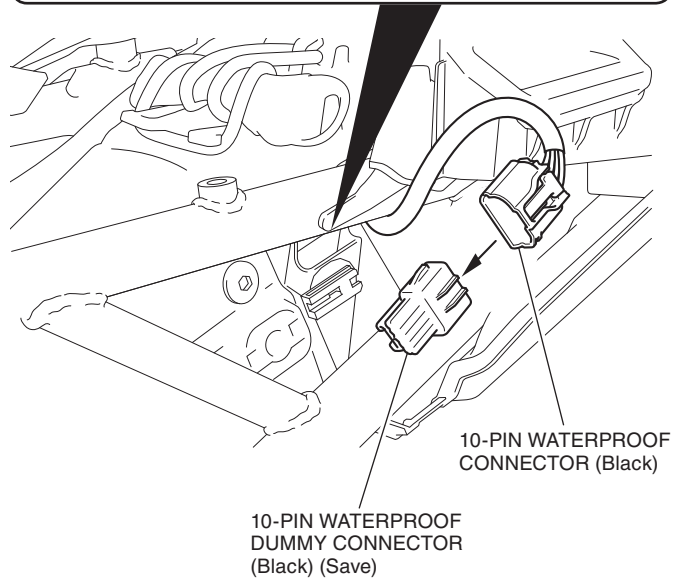
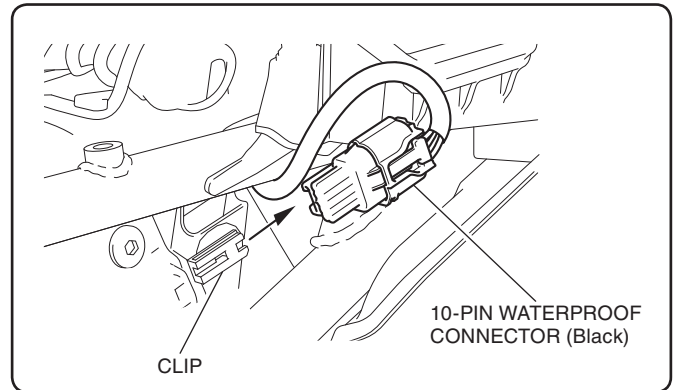


76. Install the heater controller as shown.



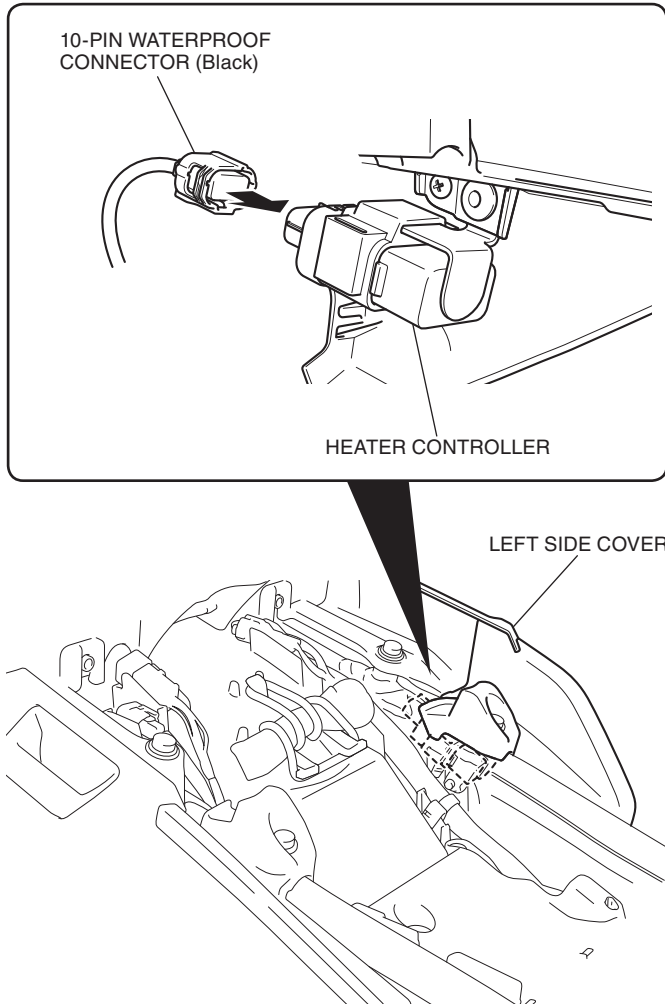
77. Remove the dummy connector as shown.

<Left side>



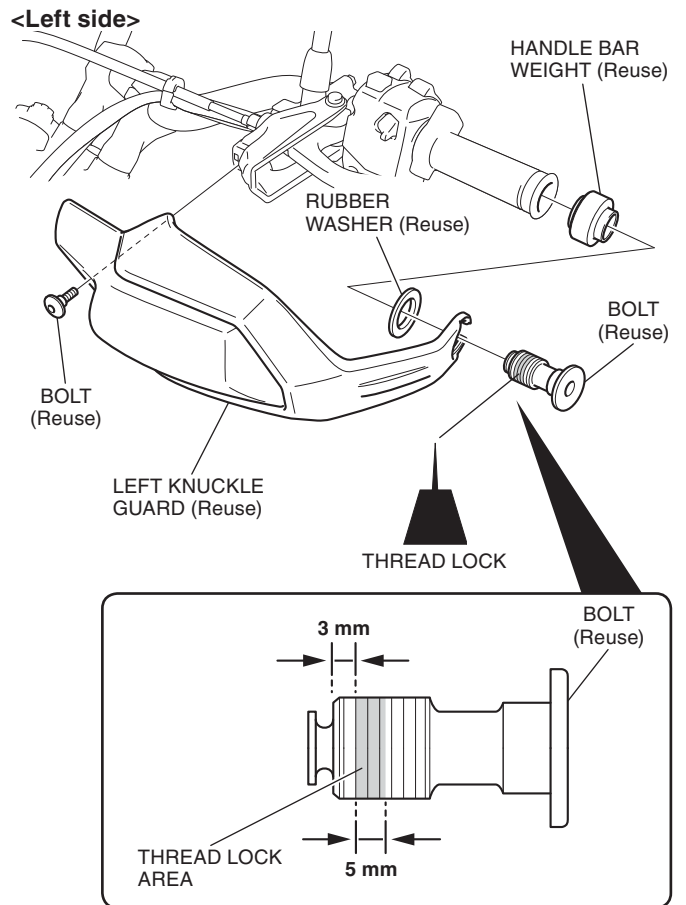
78. Connect the heater controller as shown, and install the left side cover in the reverse order of removal.

- **Confirm that any wire harness is not caught or too tight.**



79. Reinstall the parts as shown.

- **Clean up with isopropyl alcohol before applying thread lock.**
- **Be sure to apply thread lock to the threads of the bolt.**
- **Repeat on the right side.**



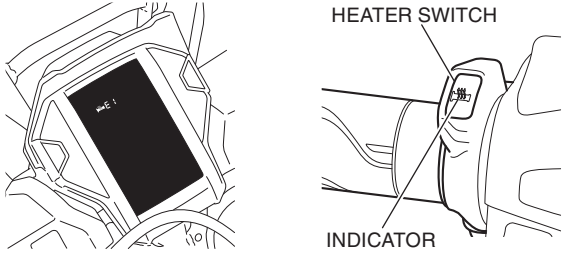




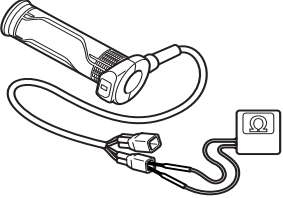


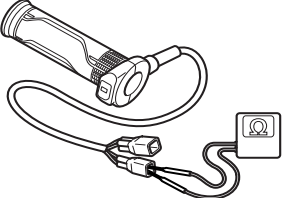
80. Install the motorcycle's parts in the reverse order of removal.

- **Confirm that any wire harness is not caught or too tight.**

81. Check the heated grip, throttle, headlight and the other lights for proper operation.

DEALER TROUBLESHOOTING

- Stop the engine and turn the main switch OFF when you check the parts and circuits other than those of the heated grips.

Symptom	Check
<p>“E1,” “E2” or “E3” status display and heated grip status icon blinks alternately, and also heater switch indicator blinks.</p>  <p>HEATER SWITCH</p> <p>INDICATOR</p>	<p>Check for loose or poor contact connectors. Refer to the SYSTEM DIAGRAM of this manual and check for a blown fuse.</p>
 <p>Blink.</p>  <p>Blink once.</p>	<p>Check for E1 status (Low battery voltage) :</p> <ol style="list-style-type: none"> 1. Check the battery voltage.
 <p>Blink.</p>  <p>Blink twice.</p>	<p>Check for E2 status (Short circuit) :</p> <ol style="list-style-type: none"> 1. Heated grip inspection. Check for resistance between the terminals. Standard : <Right> 8.2 ohms +/- 10% <Left> 8.2 ohms +/- 10%  <ol style="list-style-type: none"> 2. Refer to the SYSTEM DIAGRAM of this manual and check for a short circuit in the heated grip related wires. 3. If no abnormality is found after the above checks 1 and 2, but the heated grip still does not operate properly, replace the heated grip (heater controller) with a new one.
 <p>Blink.</p>  <p>Blink 3 times.</p>	<p>Check for E3 status (Faulty heated grip switch) :</p> <ol style="list-style-type: none"> 1. Replace the heated grip (heater switch) with a new one. It is hard to check the switch with ordinary inspection methods (for continuity, voltage, etc..) because it contains an integrated circuit. <p>Check for E3 status (Open circuit) :</p> <ol style="list-style-type: none"> 1. Heated grip inspection. Check for resistance between the terminals. Standard : <Right> 8.2 ohms +/- 10% <Left> 8.2 ohms +/- 10%  <ol style="list-style-type: none"> 2. Refer to the SYSTEM DIAGRAM of this manual and check for an open circuit in the heated grip related wires. 3. If no abnormality is found after the above checks 1 and 2, but the heated grip still does not operate properly, replace the heated grip (heater controller) with a new one.

SYSTEM DIAGRAM

