



HONDA

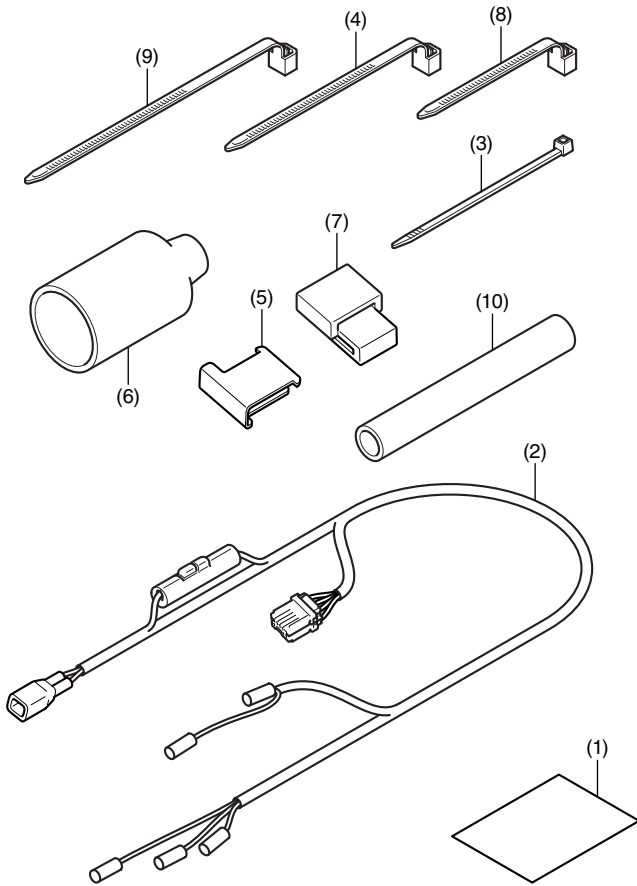
INSTALLATION INSTRUCTIONS

Accessory
HEATED GRIP ATTACHMENT
P/N 08T70-MJF-A30

Application
CTX700/D

Publication No.
MII 14476
 Issue Date
March 2013

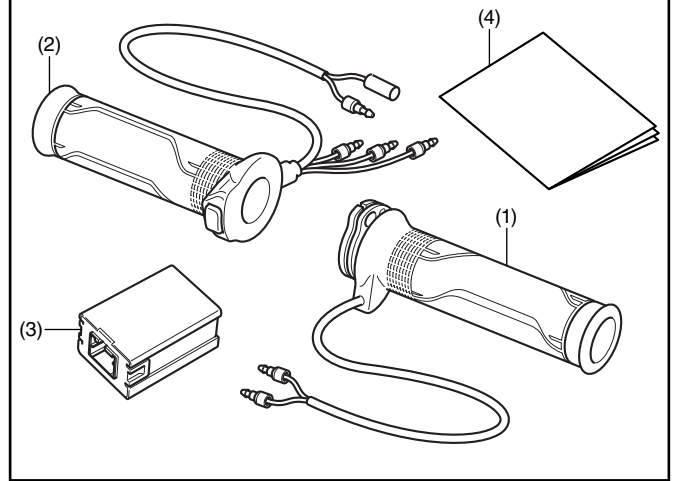
PARTS LIST



No.	Description	Qty
(1)	Installation Instruction URL	1
(2)	Heated grip harness	1
(3)	Wire tie (narrow)	2
(4)	Wire tie (medium)	5
(5)	Stay	1
(6)	Harness boot	1
(7)	Cushion	1
(8)	Wire tie (short)	2
(9)	Wire tie (long)	3
(10)	Tube	1

HEATED GRIP KIT

Sold separately



No.	Description	Qty
(1)	Right heated grip	1
(2)	Left heated grip	1
(3)	Controller	1
(4)	Owner's Manual	1

TOOLS AND SUPPLIES REQUIRED

- Side cutters
- Ruler
- Marker
- Electrical tape
- Pro Honda Handgrip Cement
- Grease
- Thread lock
- Isopropyl alcohol
- Shop towel

TORQUE INFORMATION

Refer to the Service Manual for the torque values of the removed parts.

INSTALLATION

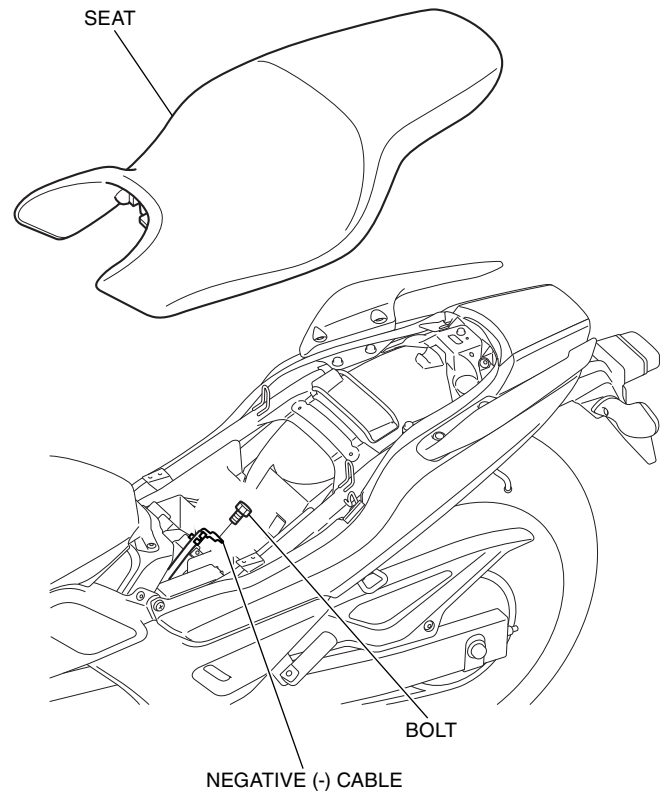
▲ CAUTION

- To prevent burns, allow the engine, exhaust system, radiator, etc., to cool before installing the accessory.

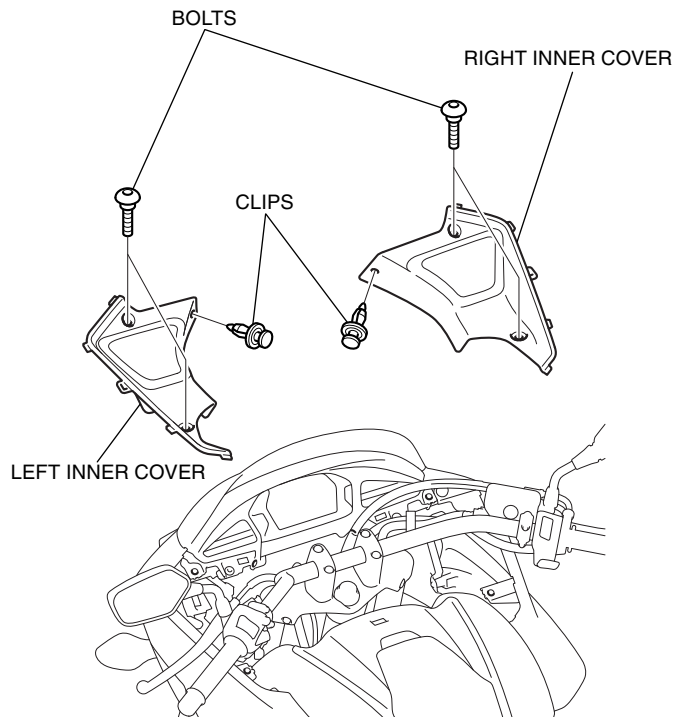
NOTE:

- Disconnect the throttle cables from the right grip as instructed in the motorcycle's Service Manual.
 - For secure adhesion of the left heated grip to the handlebar, we urge you to use the recommended adhesive agent (Pro Honda Handgrip Cement) and wait until it cures fully before use.
 - Be sure to open and close the throttle to check for smooth operation after installation of the right heated grip.
 - Take care not to damage the painted surfaces of the motorcycle.
 - Reinstall the removed parts on the motorcycle and make sure that wires and harnesses are not pinched.
 - Disconnect the negative (-) cable from the battery before installing this accessory.
 - The memory of the clock will be erased when you disconnect the battery. Reset the clock after reconnecting the battery.
 - Trim the excess ends off the wire ties after attaching them to the wire harnesses. Do not allow the cut part of the wire tie to interfere with any harness or brake hose.
 - After heated grip installation, check the lights (e.g. right / left turn signal lights and brake lights) for proper operation.
 - When replacing the accessory that is required to install this accessory, follow the instructions described in this installation instructions.
- **Illustrations show CTX700 type, other type is similar.**

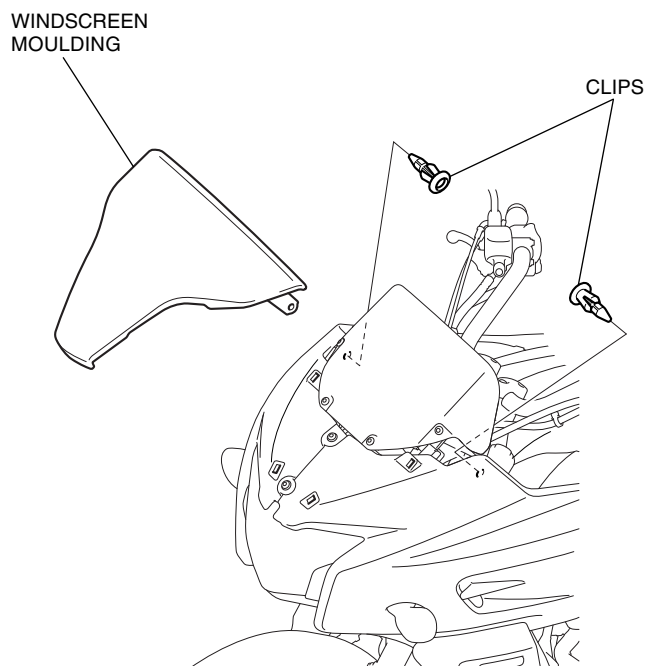
1. Refer to the Service Manual for the motorcycle, remove the seat, and disconnect the negative (-) cable from the battery as shown.



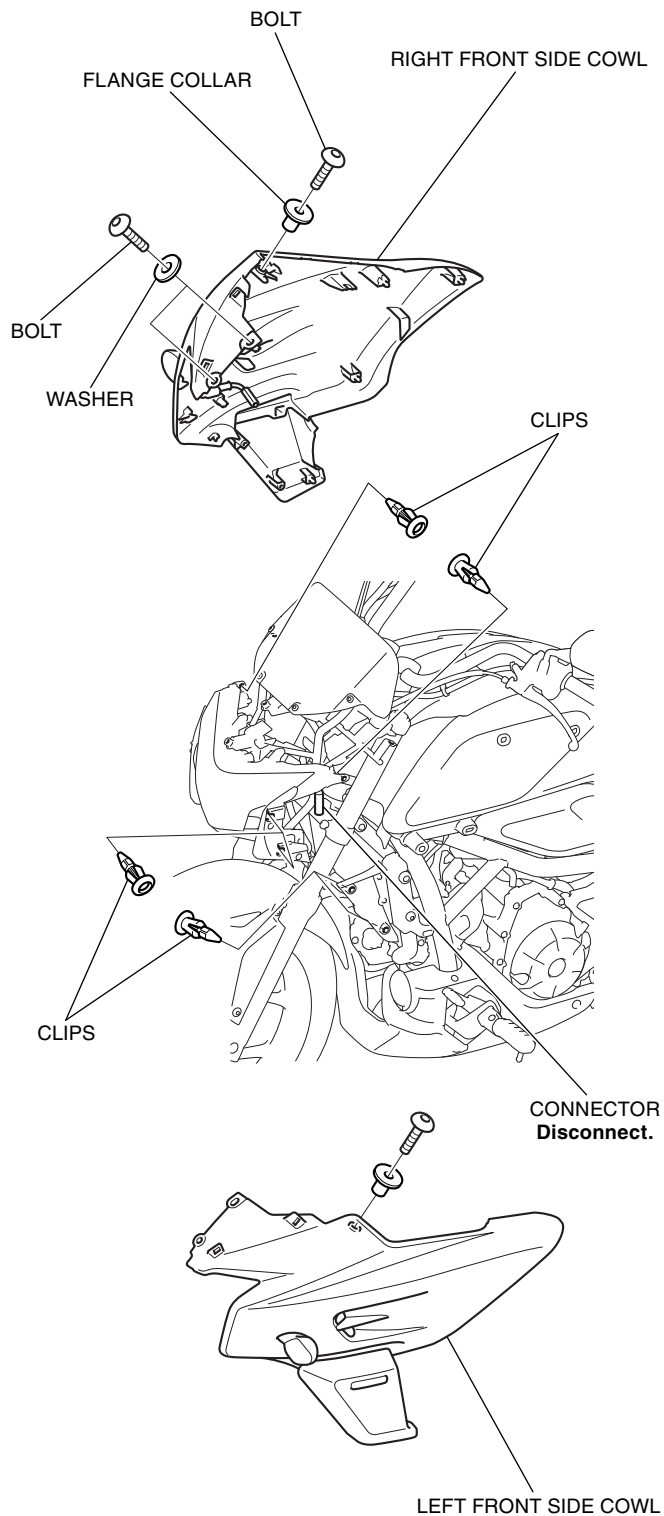
2. Refer to the Service Manual for the motorcycle, remove the inner covers.



3. Refer to the Service Manual for the motorcycle, remove the windscreen moulding.

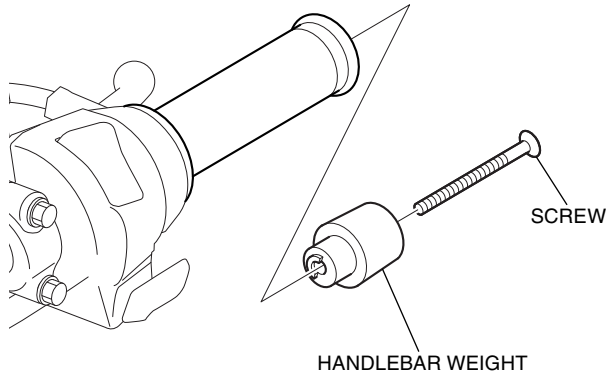


4. Refer to the Service Manual for the motorcycle, remove the front side cowls.



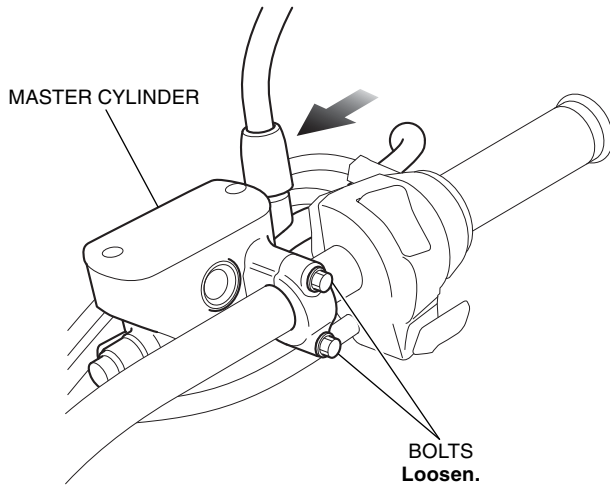
5. Remove the handlebar weights from the motorcycle as shown.

- Repeat on the left side.

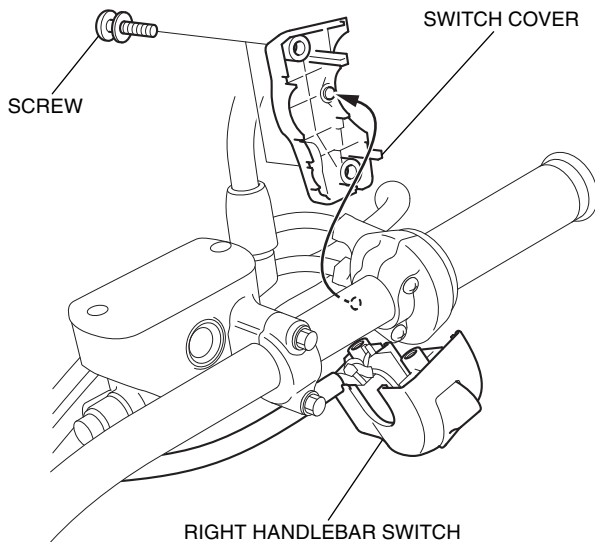


6. Loosen the bolts and slide the master cylinder as shown.

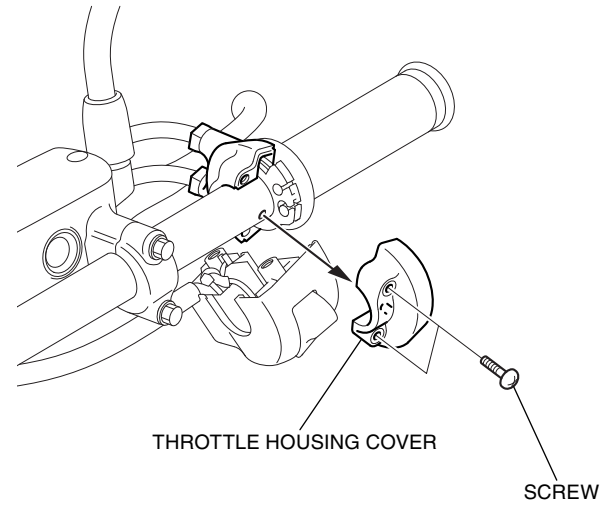
- Be careful not to scratch the handlebar.



7. Remove the right handlebar switch as shown.



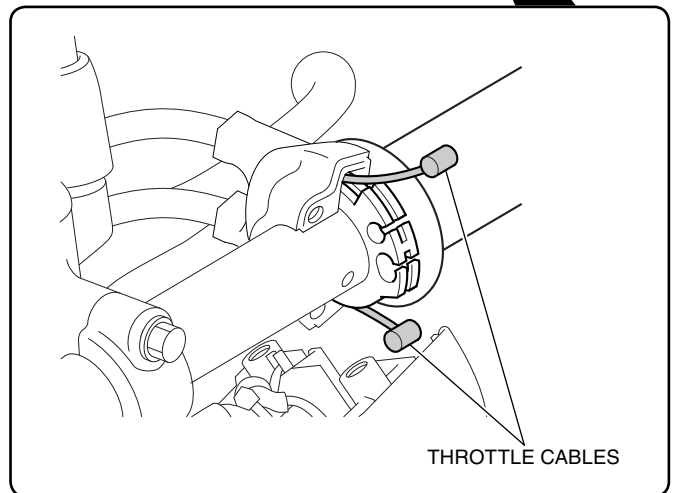
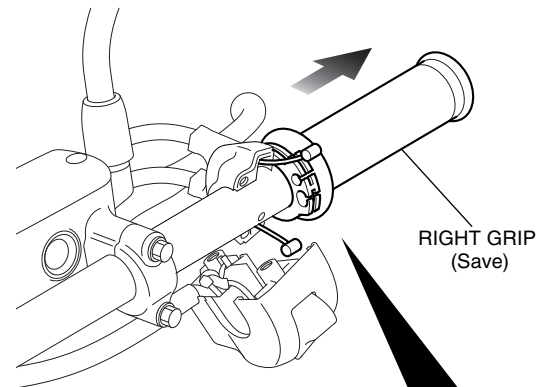
8. Remove the throttle housing cover as shown.



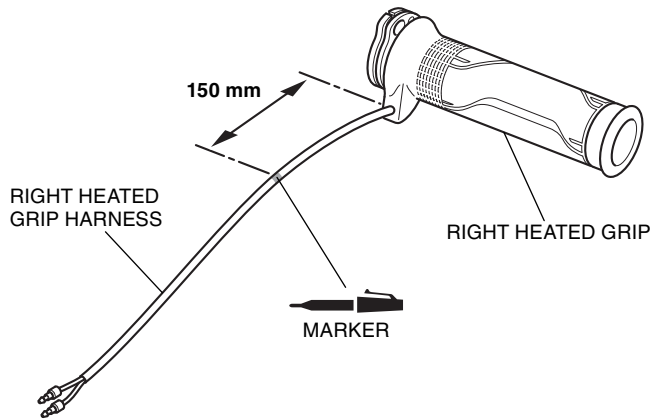
9. Remove the right grip as shown.


NOTE

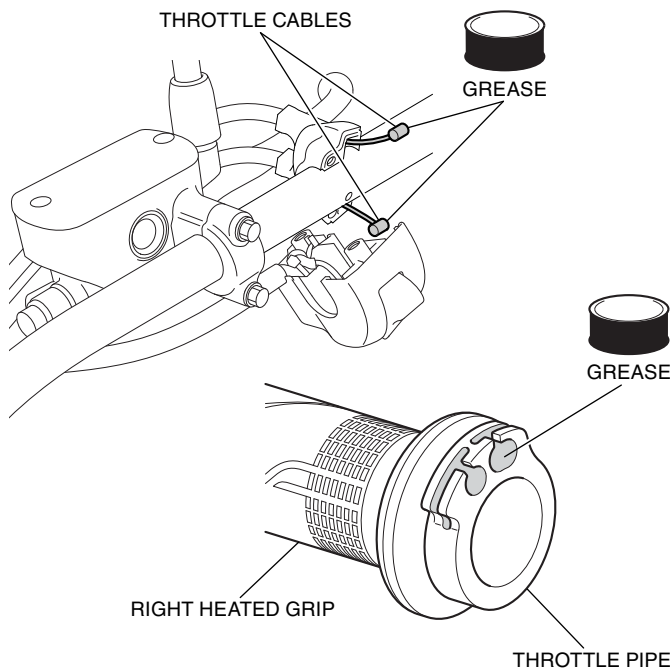
Disconnect the throttle cable from the right grip as instructed in the motorcycle's Service Manual. Do not try to disconnect the cable with force using pliers, etc. Refer to the motorcycle's Service Manual.



10. Mark the right heated grip harness in the position shown.

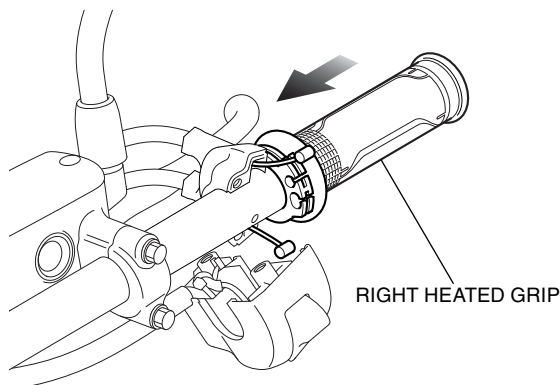


11. Apply grease to the  parts of the throttle cables and throttle pipe as shown.



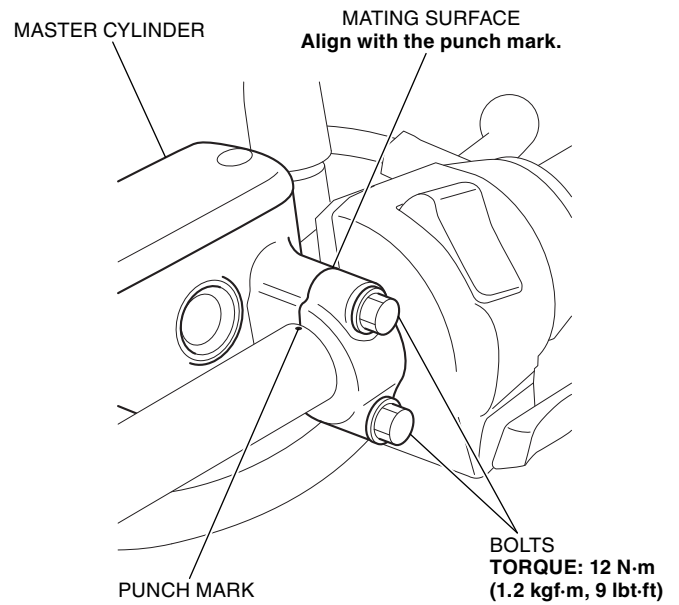
12. Install the right heated grip in the reverse order of the motorcycle's grip removal.

- After installation, refer to the Service Manual and adjust the throttle freeplay.



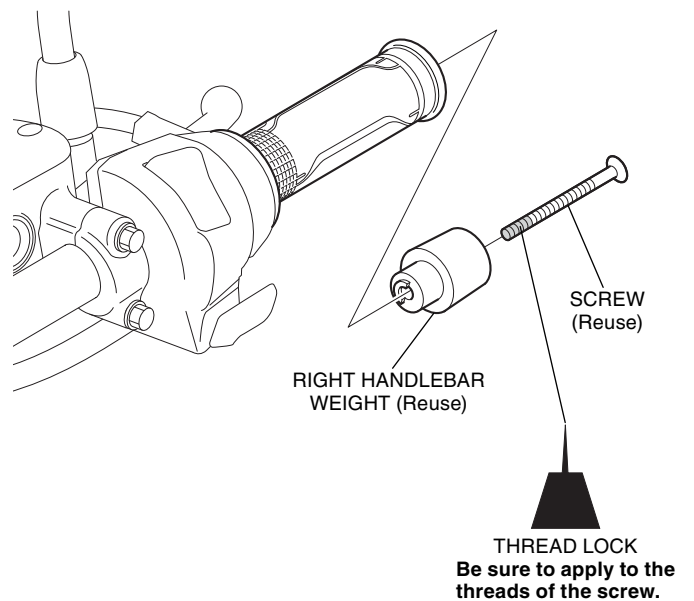
13. Reposition the master cylinder correctly and tighten the bolts as shown.

- Be careful not to scratch the handlebar.

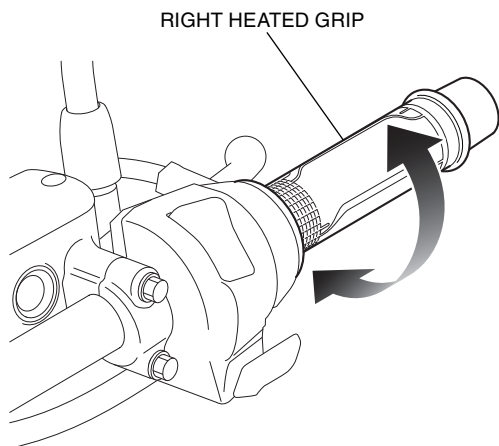


14. Reinstall the right handlebar weight as shown.

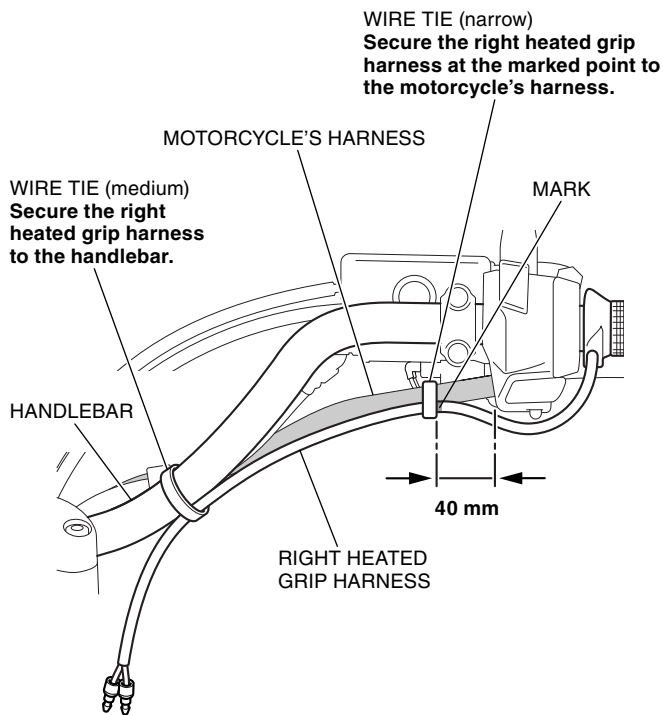
- Before applying a thread lock, thoroughly clean the screw.



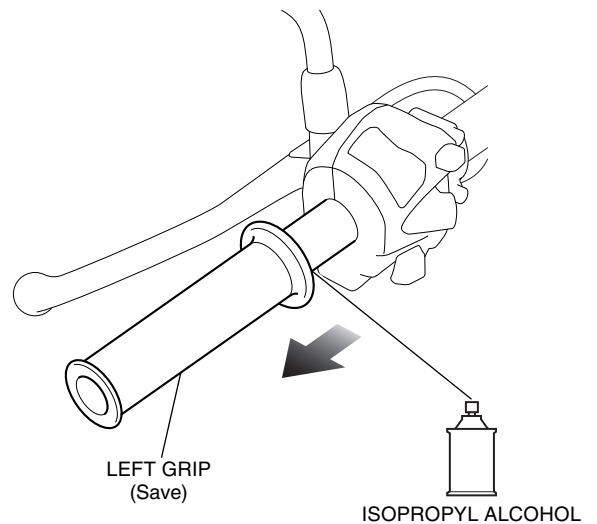
15. Open and close the throttle grip as shown.
- **Check that the throttle opens and automatically closes smoothly.**



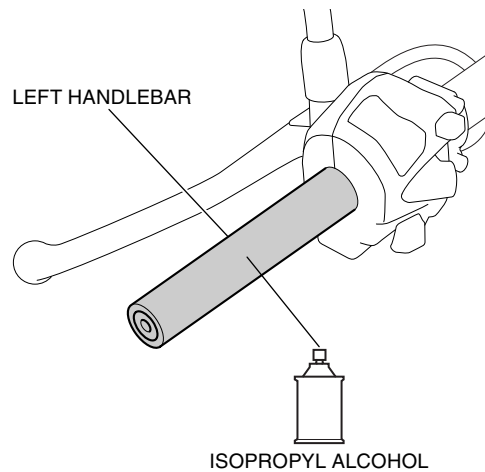
16. Secure the right heated grip harness with the wire ties as shown.
- **Open and close the throttle and confirm that there is no tightness of the heated grip harness.**



17. Remove the left grip as shown.



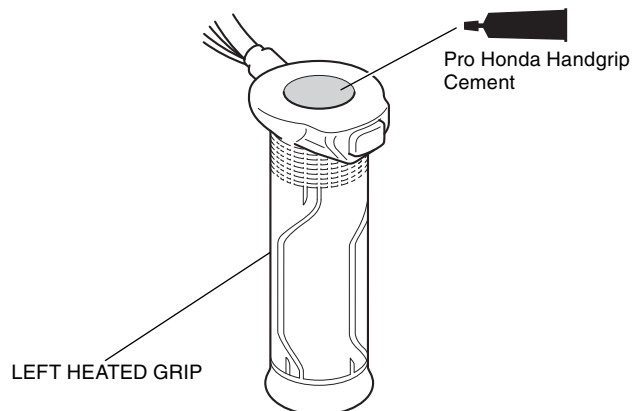
18. Using isopropyl alcohol, remove all traces of adhesive from the left handlebar.



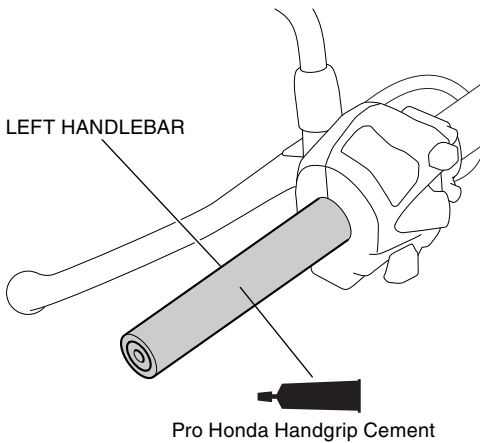
19. Liberally apply Pro Honda Handgrip Cement to the inside of the left heated grip as shown.

NOTE

Read the Instructions of the steps 19 through 22 carefully before installation and complete the operation quickly before the adhesive cures. Use an assistant to steady the motorcycle while installing the grip.

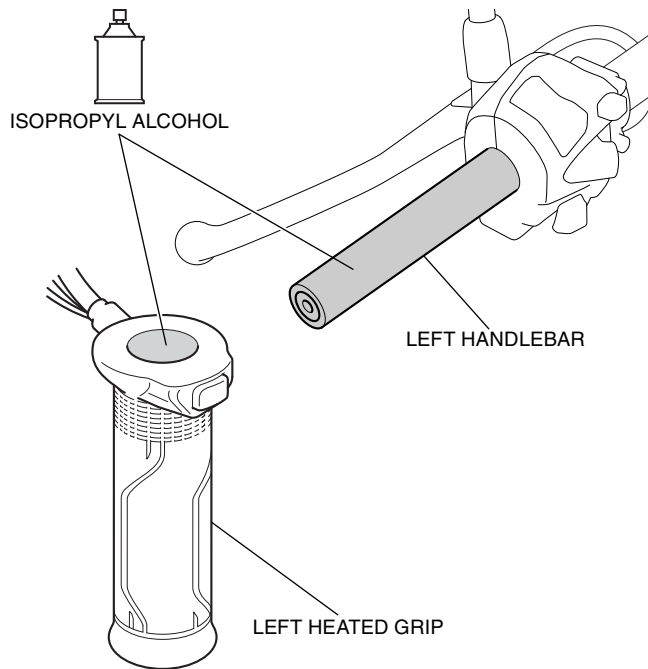


20. Apply Pro Honda Handgrip Cement to the left handlebar as shown.



21. Spray isopropyl alcohol over the inside of the left heated grip and outside of the left handlebar.

- This is done to ease alignment between the heated grip and handlebar.

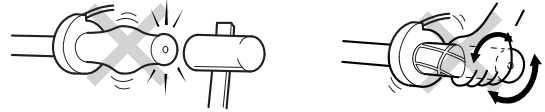


22. Slide the left heated grip onto the left handlebar as indicated.

- Wipe up excess adhesive at once.

NOTICE

- Do not tap on the grip end with a hammer and do not twist the grip with force to insert the left heated grip onto the handlebar, as it can damage the heated grip element.

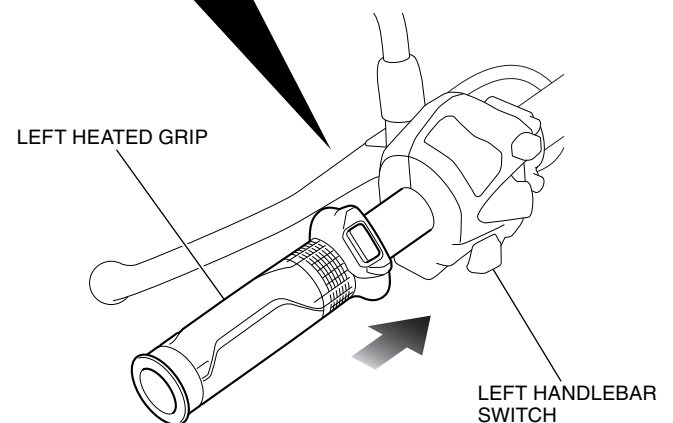
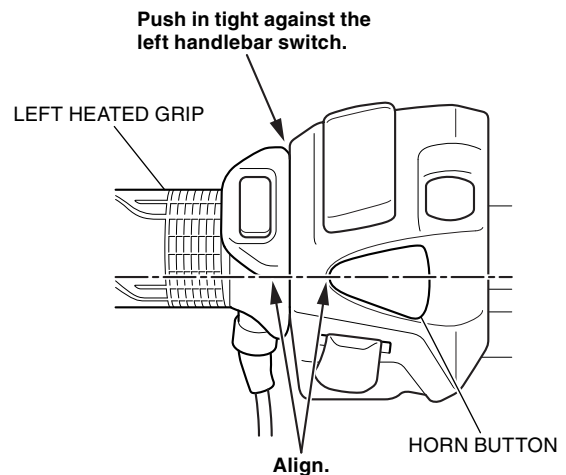


- Avoid putting pressure on the switch part when inserting the left heated grip. There is a possibility that the switch will break. Also, install so that there is no gap with the left handlebar switch.



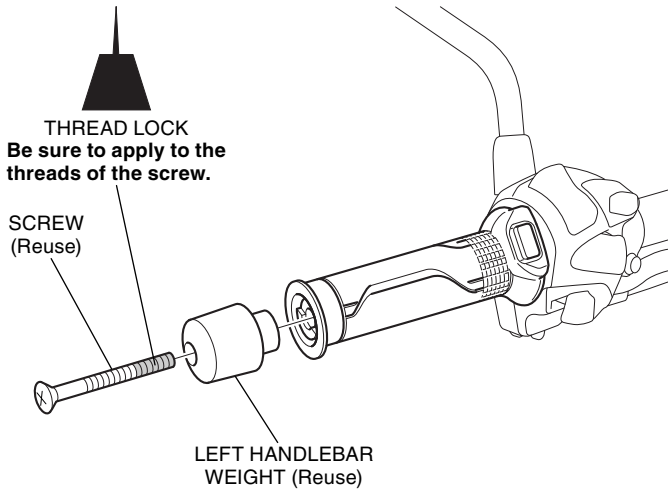
- If the grip gets stuck halfway during installation, apply isopropyl alcohol between the heated grip and handlebar. Do not try to remove the left heated grip using force or tools as the heated grip element can be damaged.

Insert until there is contact with the left handlebar switch, then align with the indicated position.

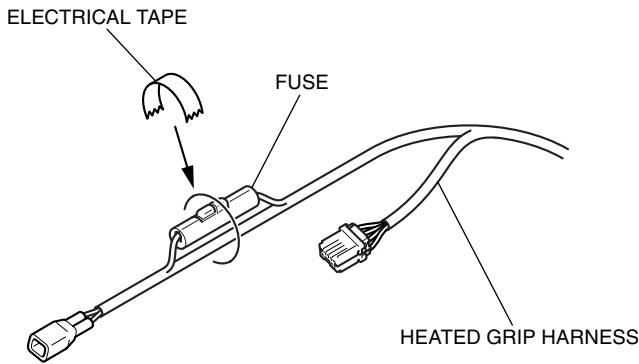


23. Reinstall the left handlebar weight as shown.

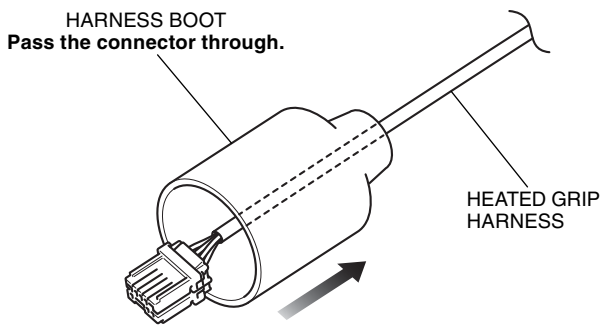
- Before applying a thread lock, thoroughly clean the screw.



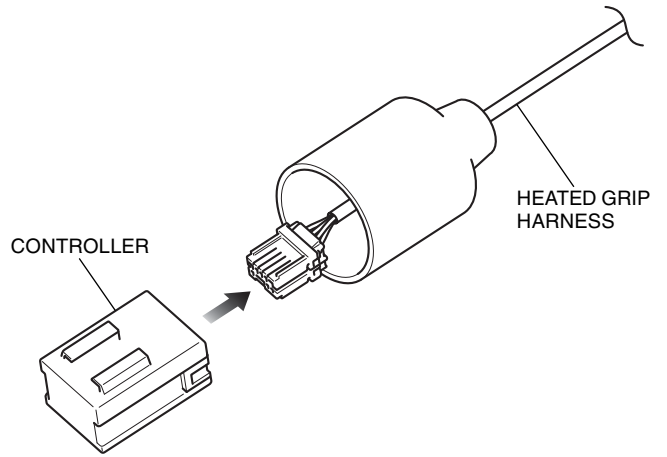
24. Secure the fuse with electrical tape as shown.



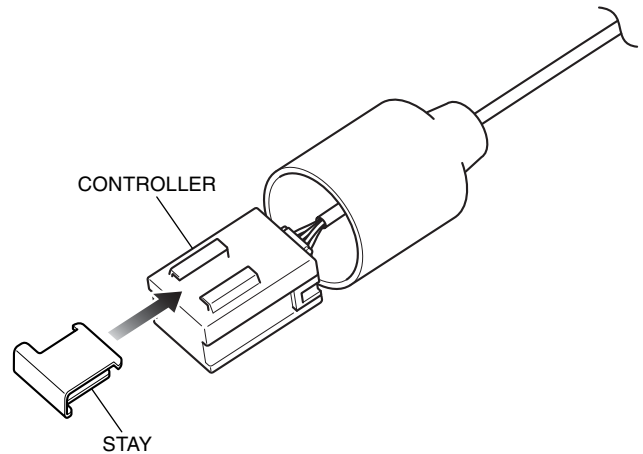
25. Pass the boot over the heated grip harness as shown.



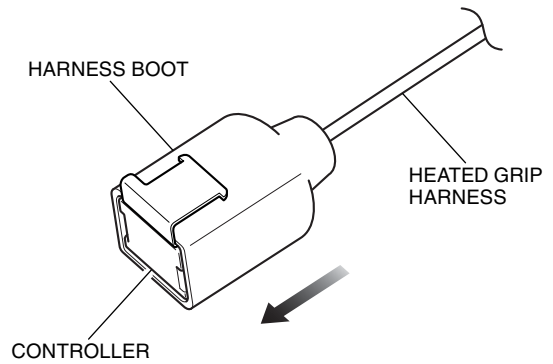
26. Connect the controller as shown.



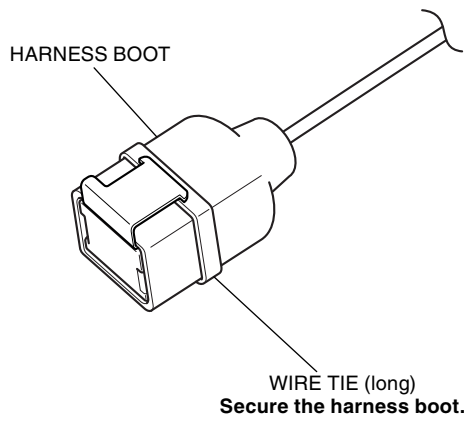
27. Install the stay as shown.



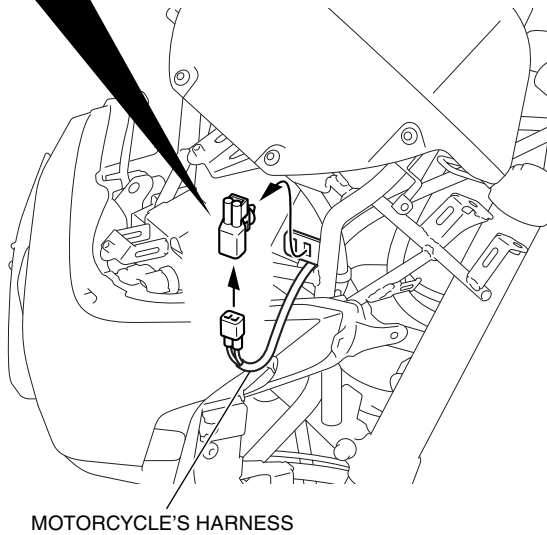
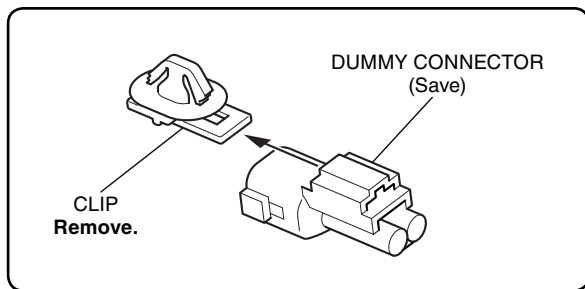
28. Fit the boot over the controller as shown.



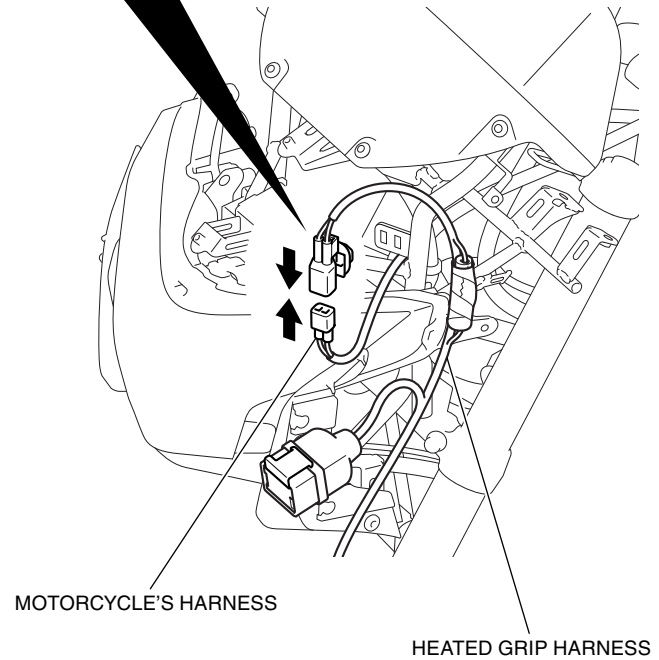
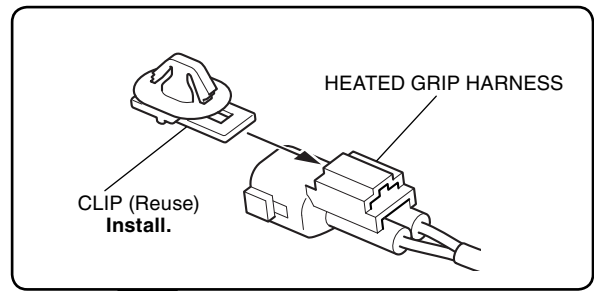
29. Secure the boot with the wire tie as shown.



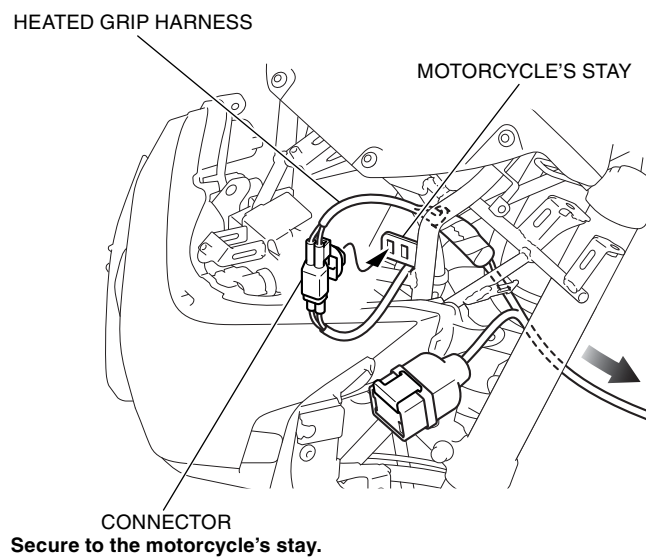
30. Remove the dummy connector as shown.



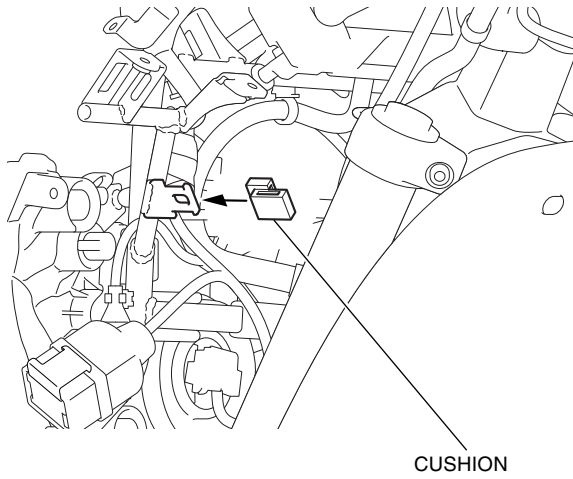
31. Connect the heated grip harness as shown.



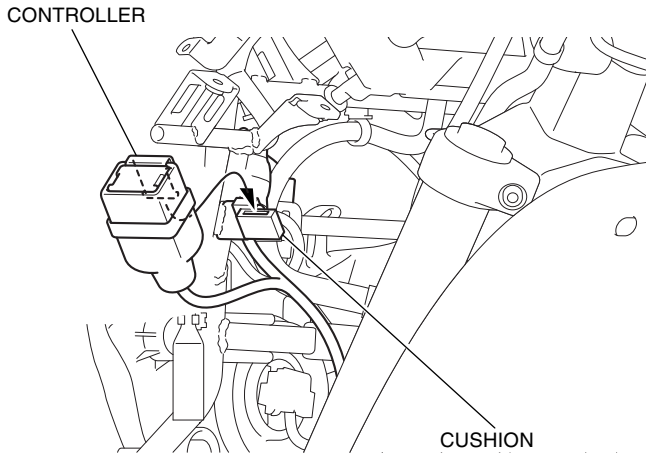
32. Route and secure the heated grip harness as shown.



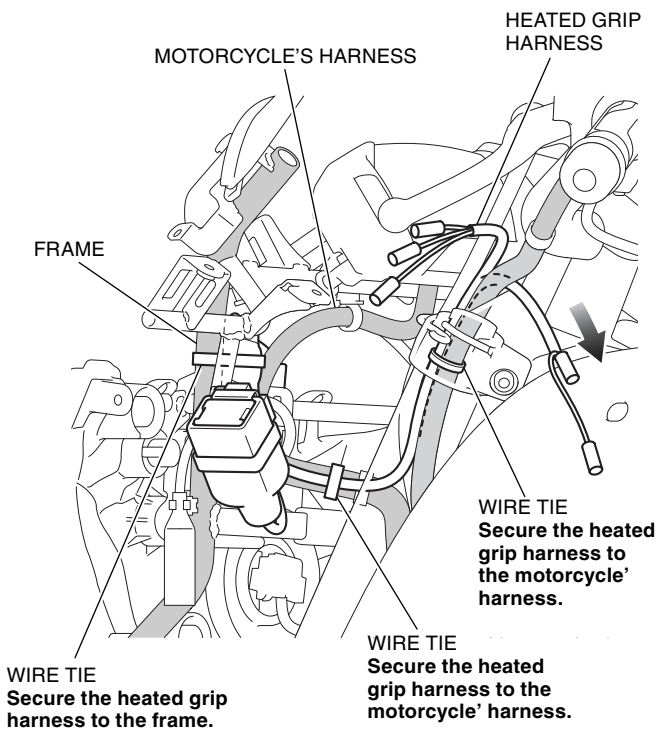
33. Install the cushion as shown.



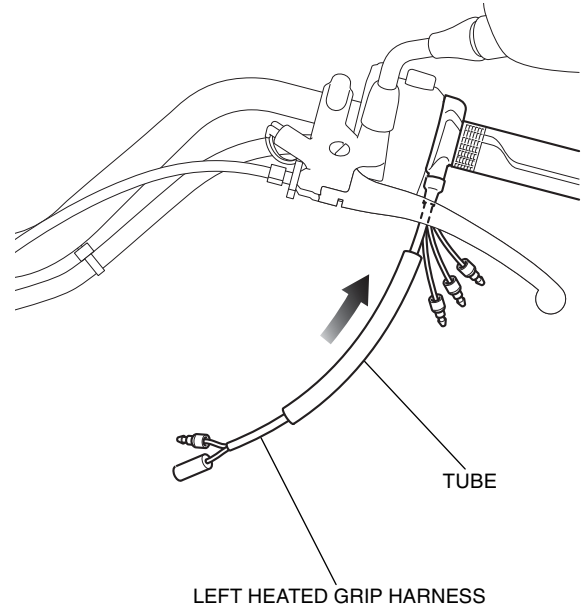
34. Install the controller as shown.



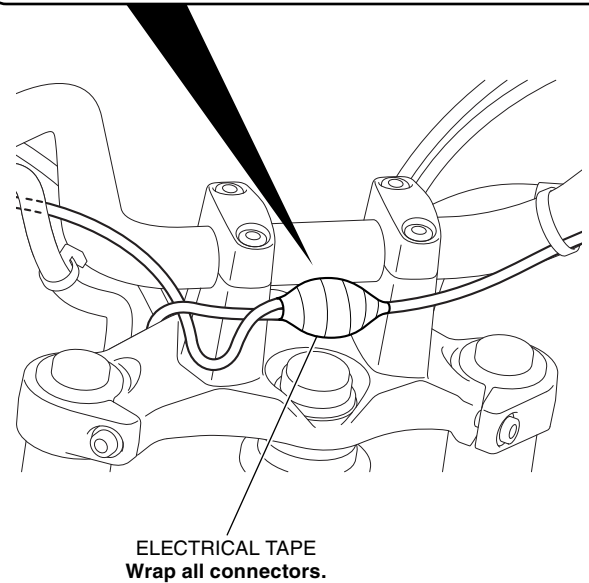
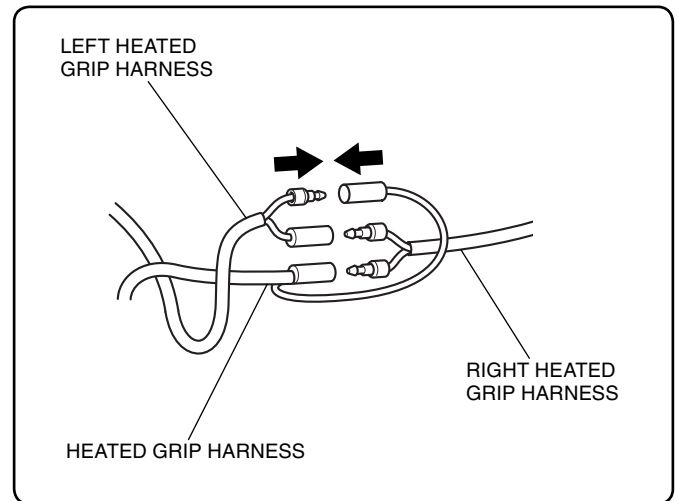
35. Route and secure the heated grip harness with the wire ties as shown.



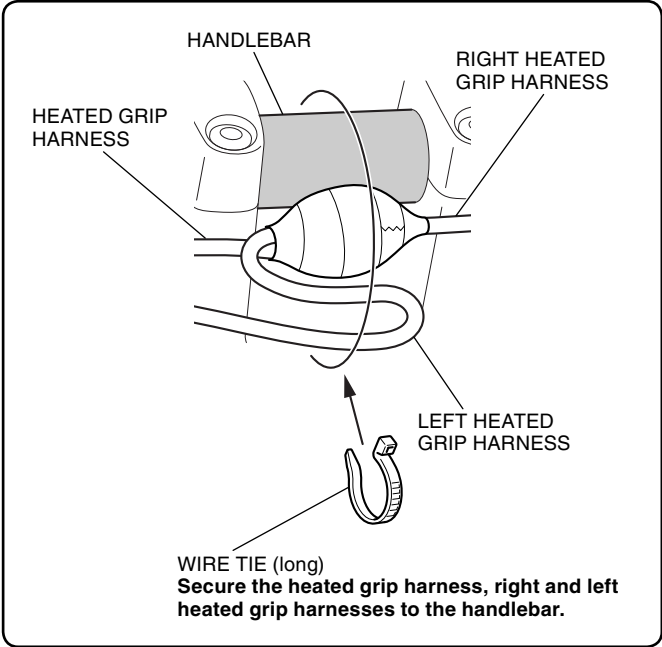
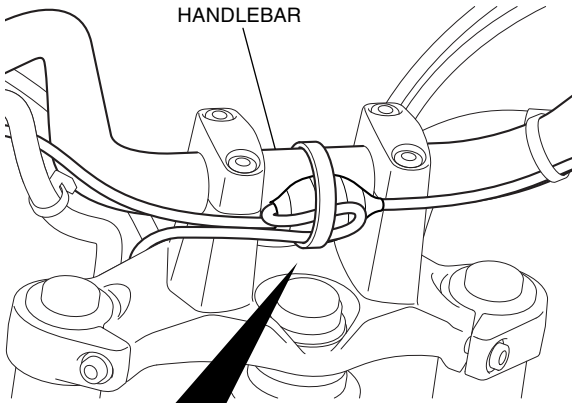
36. Slide the tube over the left heated grip harness as shown.



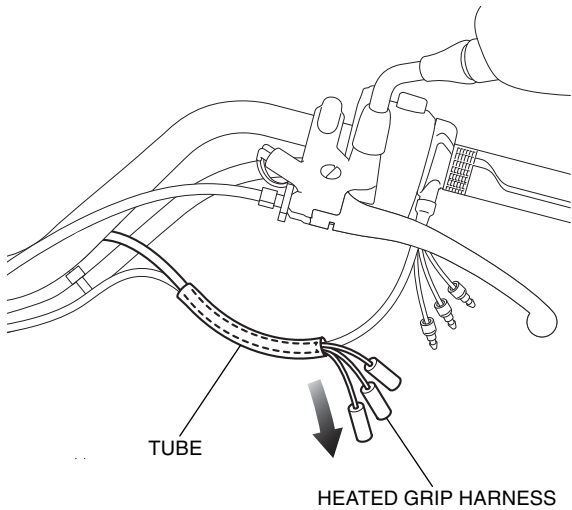
37. Connect each harness as shown.



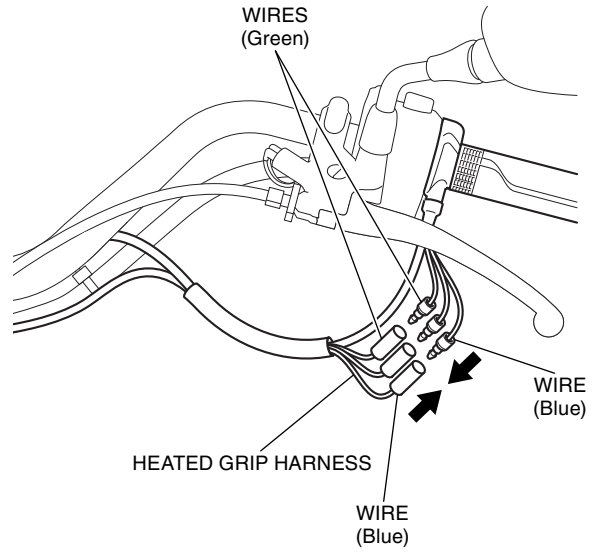
38. Secure each harness with the wire tie as shown.



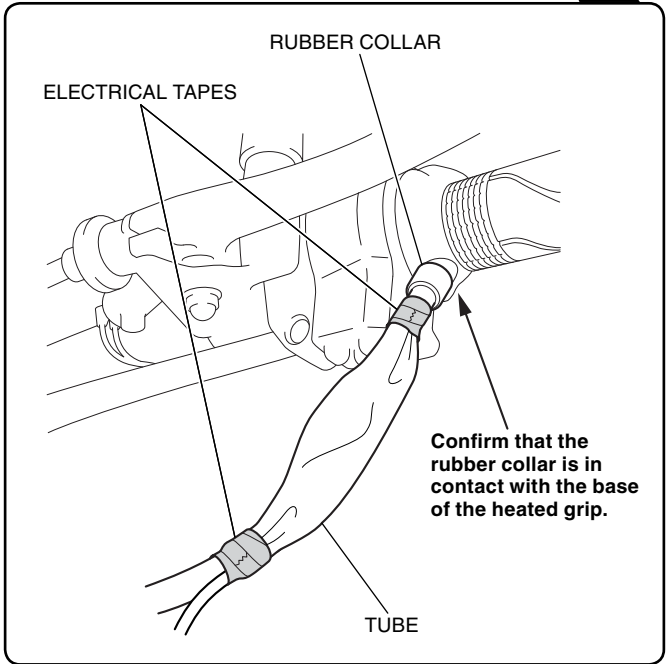
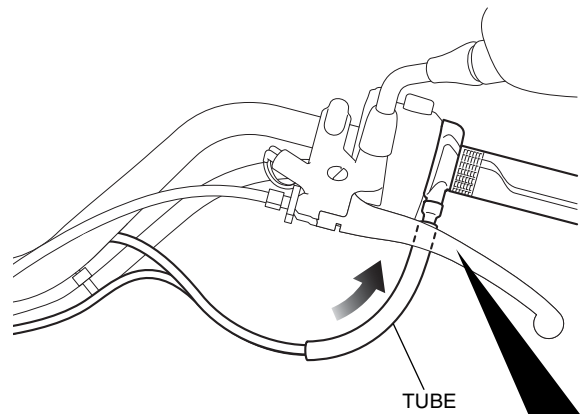
39. Pass the HEATED GRIP harness through the tube as shown.



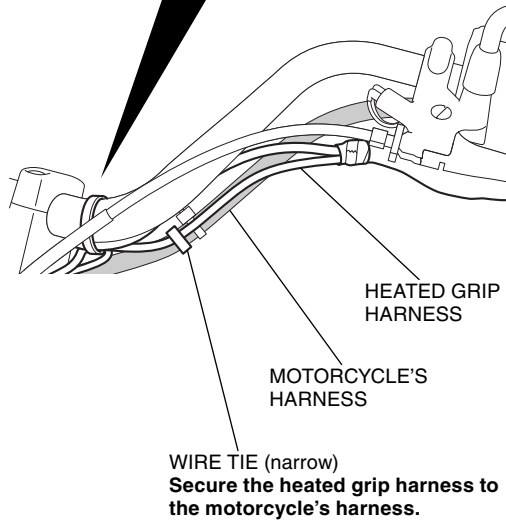
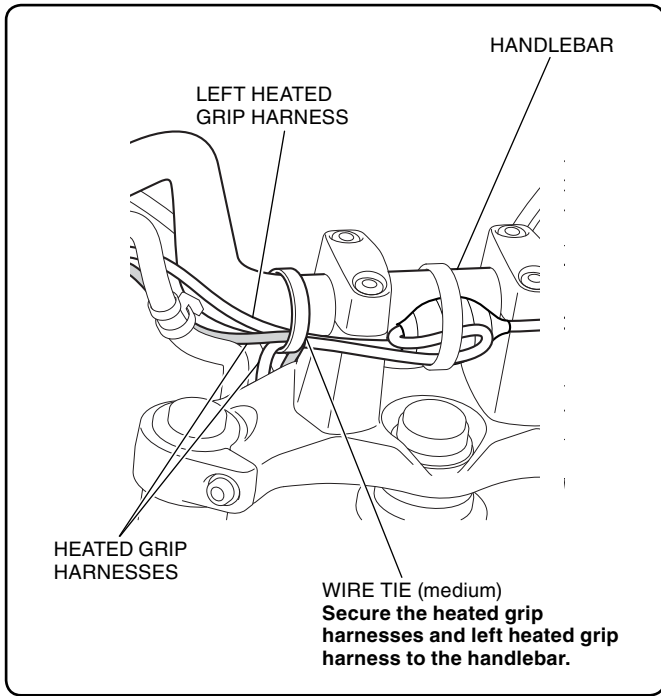
40. Connect the heated grip harness as shown.



41. Slide and secure the tube with electrical tape as shown.



42. Secure each harness with the wire ties as shown.



43. Check each harness for sufficient play.

- **Move the handlebar right and left and check that the harnesses are not pinched by the neighboring components and that they are not pulled taut.**

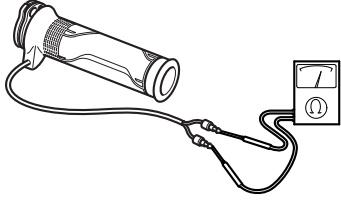
44. Install the motorcycle's parts in the reverse order of removal.

- **Confirm that the harness is not caught or too tight.**

45. Move the handlebar right and left and check that this accessory is not interfere with the motorcycle.

DEALER TROUBLESHOOTING

- Stop the engine and turn the ignition switch OFF when you check the parts and circuits other than those of the heated grips.

Symptom	Check
Heated grip does not operate; <ul style="list-style-type: none"> • Faulty heated grip • Faulty heated grip coil • Blown fuse • Open or short circuit in heater harness • Faulty heater switch 	1. Check whether wires and cables (terminals and connectors) are connected securely. 2. Heated grip inspection Check for resistance between the terminals. ➔ Standard: Right : 2.2 ohms +/- 10% Left : 2.2 ohms +/- 10%
	
	3. Heater harness inspection: Check for continuity.
	4. If no abnormality is found after the above checks 1, 2, and 3, but the heated grip still does not operate properly, replace the heater switch with a new one. <ul style="list-style-type: none"> • It is hard to check the switch with ordinary inspection methods (for continuity, voltage, etc.) because it contains an integrated circuit.