



# INSTALLATION INSTRUCTIONS

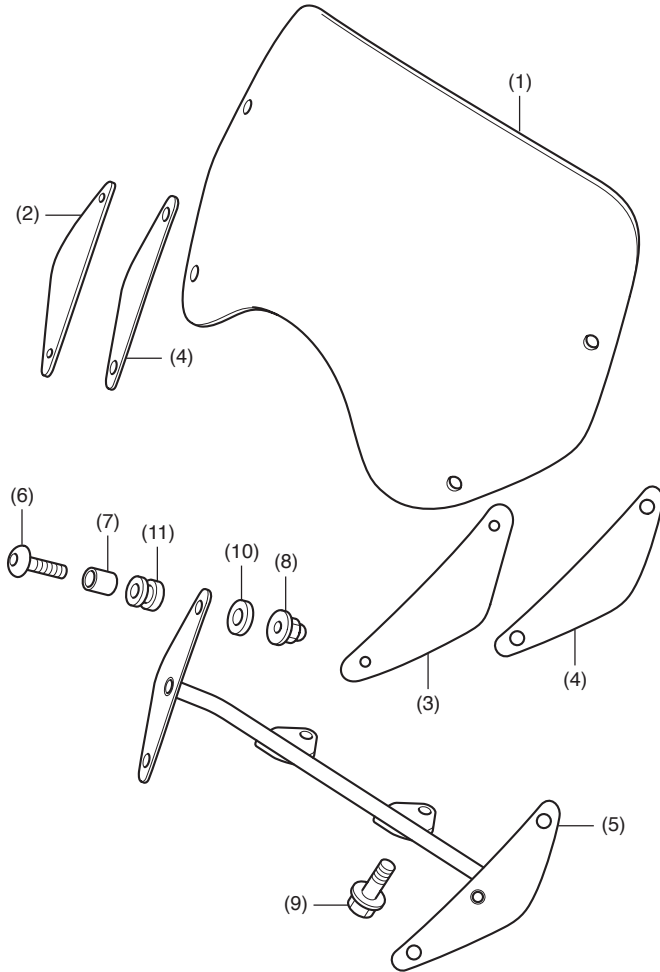
Accessory  
**BOULEVARD SMOKE SCREEN**  
P/N 08R80-MFE-100B

Application  
**VT750C2B**

Publications No.  
**MII 12987**  
Issue Date  
**September 2009**

**Honda Dealer: Please give a copy of these instructions to your customer.**

## PARTS LIST



No.	Description	Qty
(1)	Windscreen	1
(2)	Right screen garnish	1
(3)	Left screen garnish	1
(4)	Screen rubber	2
(5)	Screen stay	1
(6)	6 mm screw	4
(7)	Collar	4
(8)	6 mm cap nut	4
(9)	8 mm flange bolt	2
(10)	Washer	4
(11)	Grommet	4

## TOOLS REQUIRED

Socket (10 and 12 mm)  
Ratchet  
Box-end wrench (10 mm)  
Hex wrench (5 mm)  
Torque wrench

## TORQUE CHART

Tighten all screws, bolts, and nuts to their specified torque values. Refer to the Service Manual for the torque values of the removed parts.

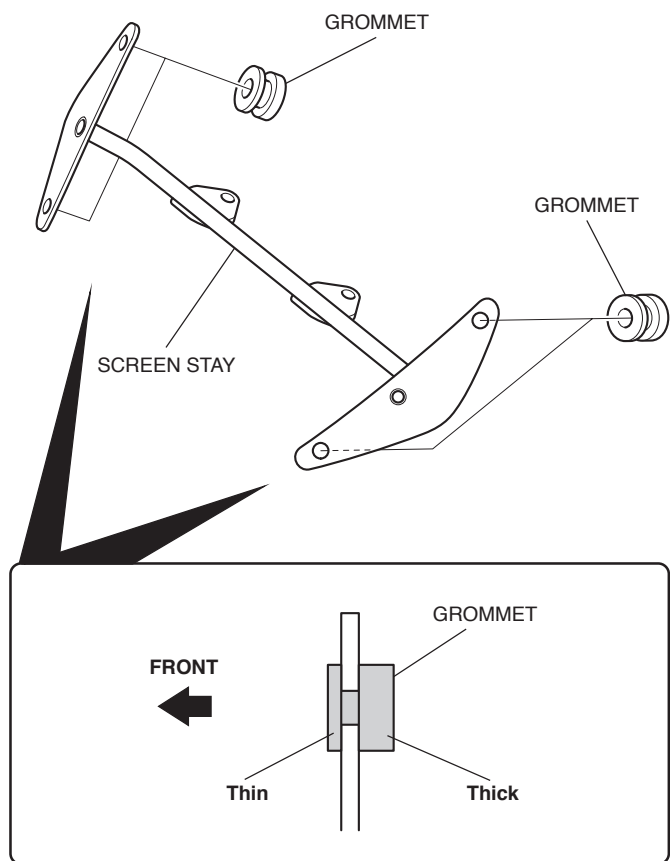
Item	N-m	kgf-m	lbf-ft
6 mm cap nut	12	1.2	9
8 mm flange bolt	26	2.7	20

## USE AND CARE INFORMATION

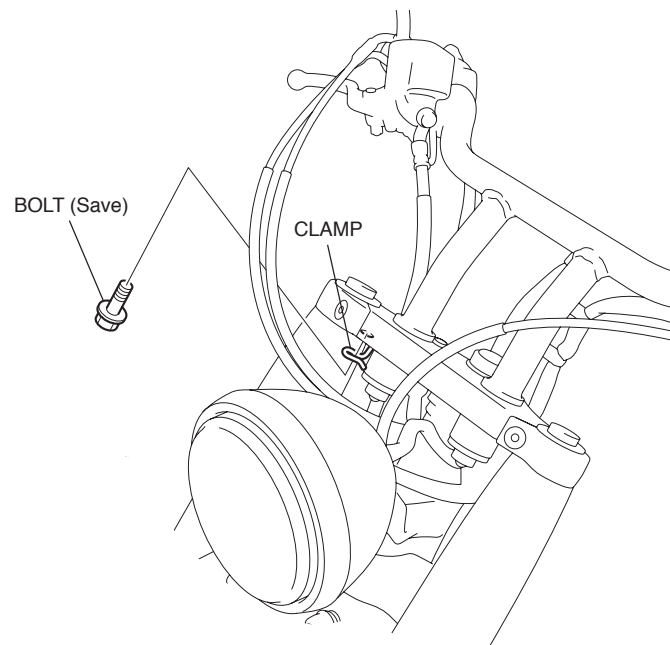
- Replace this accessory with a new one if it is damaged or discolored excessively.
- When this accessory becomes dirty, rinse it thoroughly with cool water to remove loose dirt, then wipe with a clean cloth or sponge.  
Do not use a brush to clean this accessory as it may scratch the surface.
- Never use petroleum solvents such as gasoline, thinner and benzine to clean this accessory. Also do not use acid or alkaline cleaners.  
Wipe up spilled brake or battery fluid at once as they may damage the plastic surface.
- If the motorcycle is left covered for an extended period of time, park in the shade. Parking a covered motorcycle in direct sunlight can cause the accessory to deform due to heat buildup under the cover.
- Check the accessory mounts frequently and retighten if necessary.

## INSTALLATION

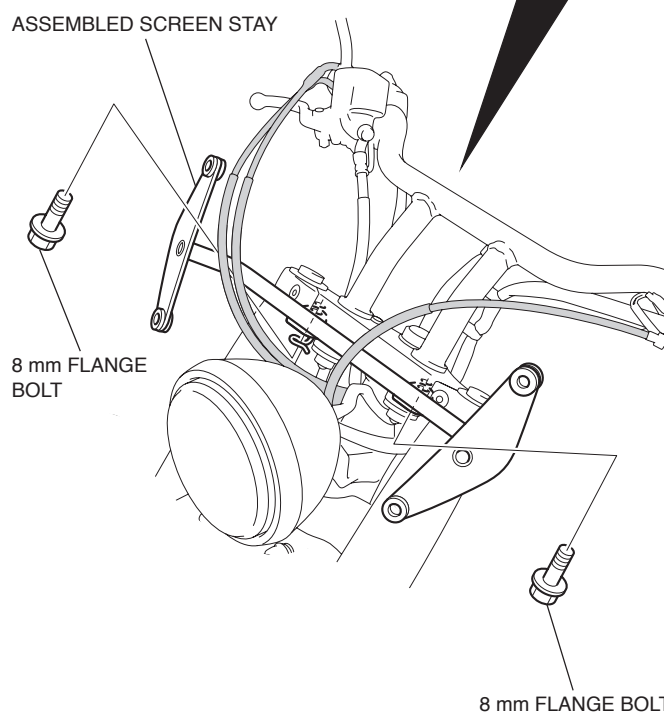
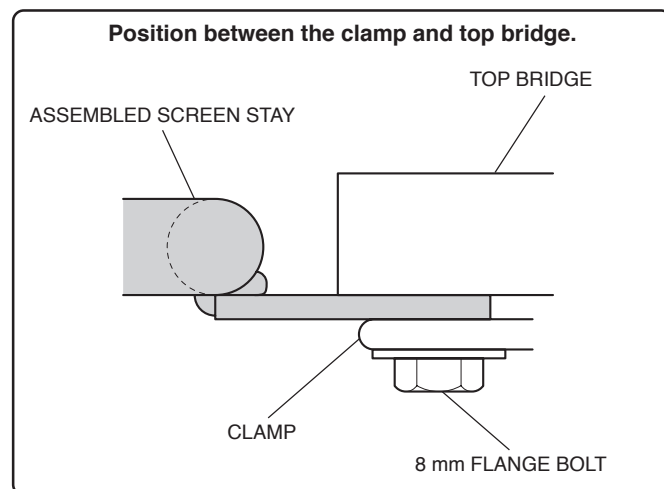
1. Assemble the grommet with the screen stay as shown.



2. Remove the bolts from the clamps as shown.



3. Install the assembled screen stay as shown.



4. Install the boulevard windscreen on the motorcycle as shown.

