

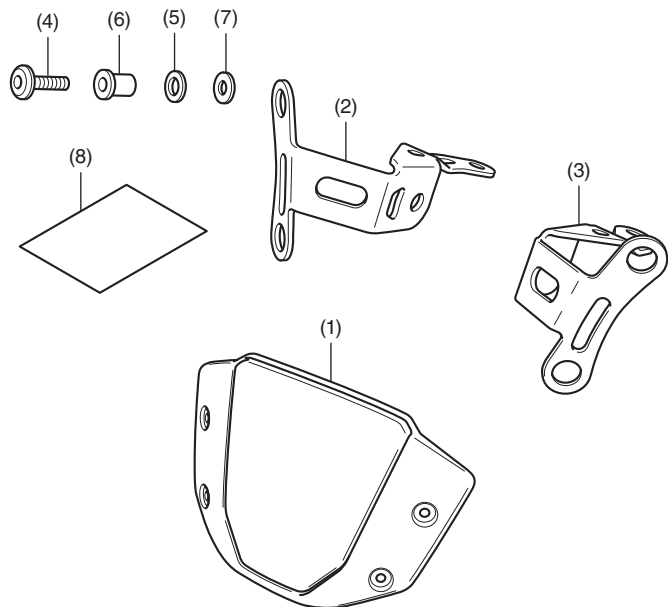


# INSTALLATION INSTRUCTIONS

|                                  |             |                 |
|----------------------------------|-------------|-----------------|
| Accessory                        | Application | Publication No. |
| METER VISOR<br>P/N 08R72-MKJ-D00 | CB1000RA    | MII 16775       |
|                                  |             | Issue Date      |
|                                  |             | August 2018     |

Honda Dealer: Please give a copy of these instructions to your customer.

## PARTS LIST



| No. | Description                  | Qty |
|-----|------------------------------|-----|
| (1) | Meter visor                  | 1   |
| (2) | Right meter visor stay       | 1   |
| (3) | Left meter visor stay        | 1   |
| (4) | 5 x 16 mm bolt               | 4   |
| (5) | Washer (White)               | 4   |
| (6) | Well nut                     | 4   |
| (7) | Washer (Black)               | 4   |
| (8) | Installation Instruction URL | 1   |

## TOOLS AND SUPPLY REQUIRED

Hex wrench (3 mm)

Ruler

Torque wrench

## TORQUE CHART

Tighten all screws, bolts, and nuts to their specified torque values. Refer to the Service Manual for the torque values of the removed parts.

| Item      | N·m | kgf·m | lbf·ft |
|-----------|-----|-------|--------|
| 5 mm bolt | 0.4 | 0.04  | 0.3    |

## INSTALLATION

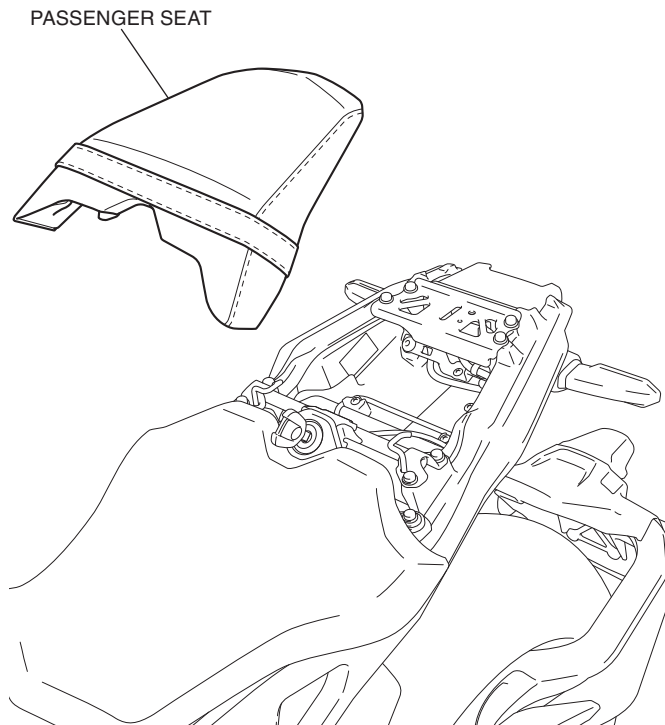
### ▲ CAUTION

- To prevent burns, allow the engine, exhaust system, radiator, etc., to cool before installing the accessory.

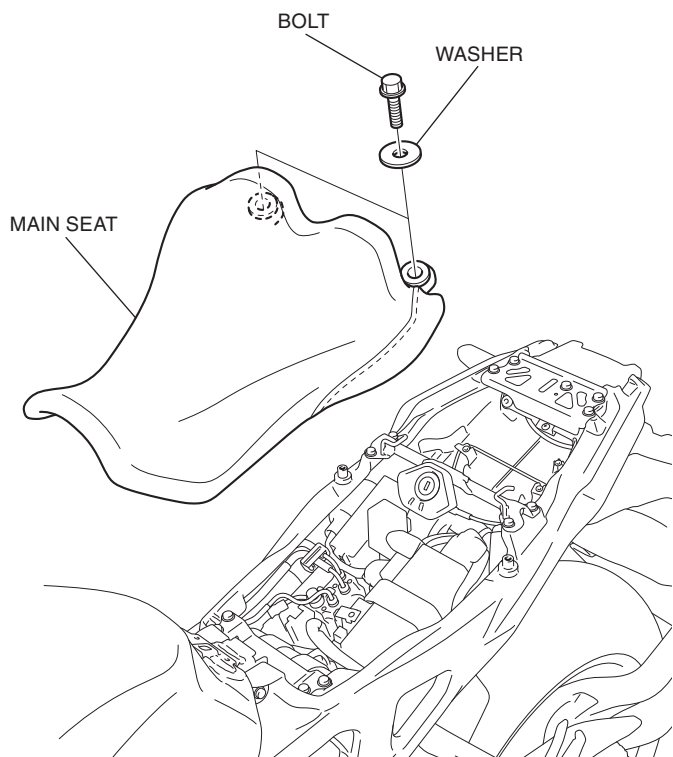
### NOTE:

- Refer to the manual and the accessory socket Installation Instructions when the motorcycle is equipped with the accessory socket.
- Disconnect the negative (-) cable from the battery before installing this accessory.
- The memory of the clock will be erased when you disconnect the battery. Reset the clock after reconnecting the battery.
- Reinstall the removed parts on the motorcycle and make sure that the wires and harnesses are not pinched.

- Remove the passenger seat as shown.

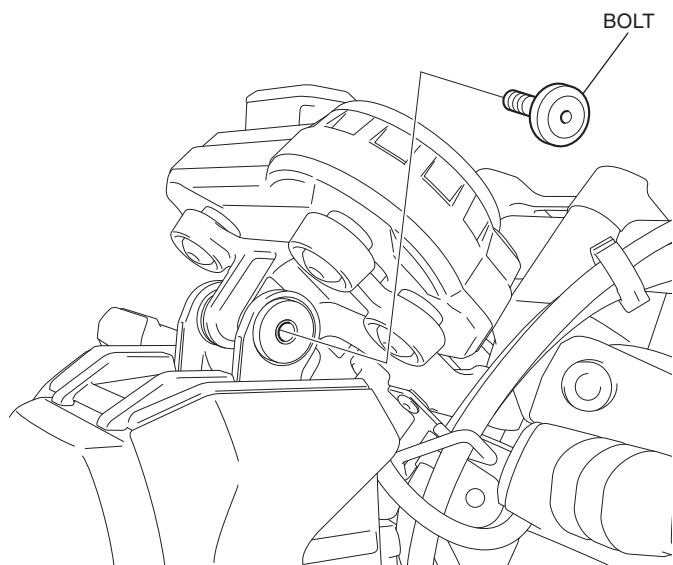


2. Remove the main seat and disconnect the negative (-) cable of the battery.



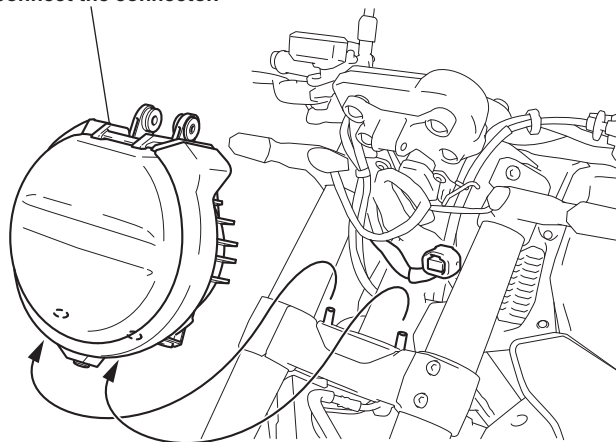
3. Remove the bolt as shown.  
• Repeat on the right side.

<Left side>

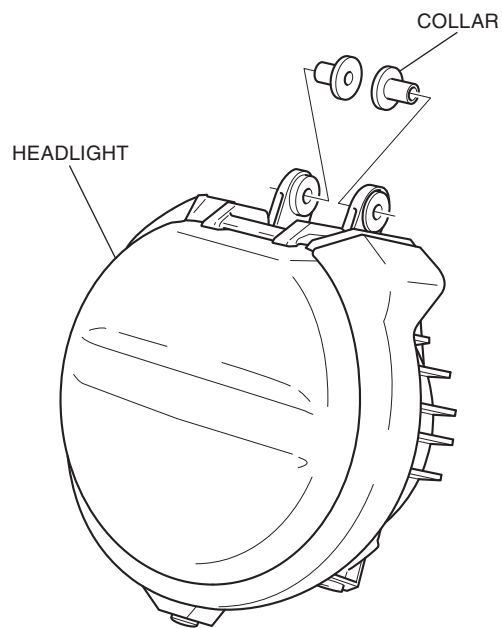


4. Remove the headlight as shown.

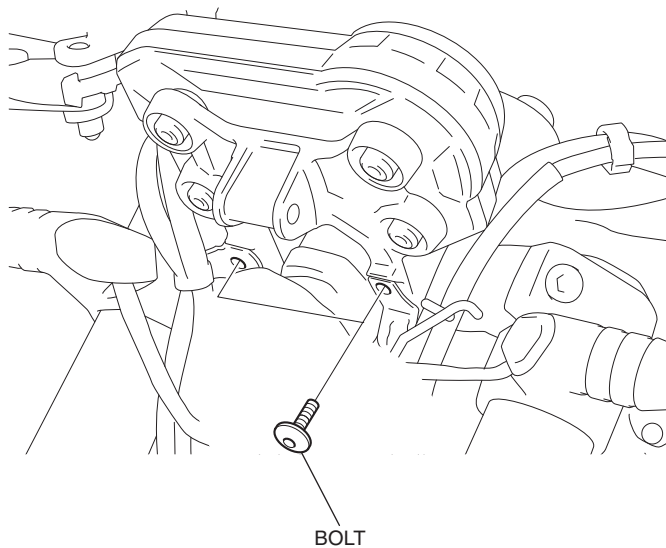
HEADLIGHT  
Disconnect the connector.



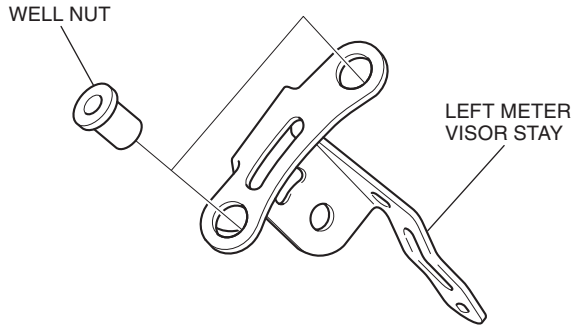
5. Remove the collars as shown.



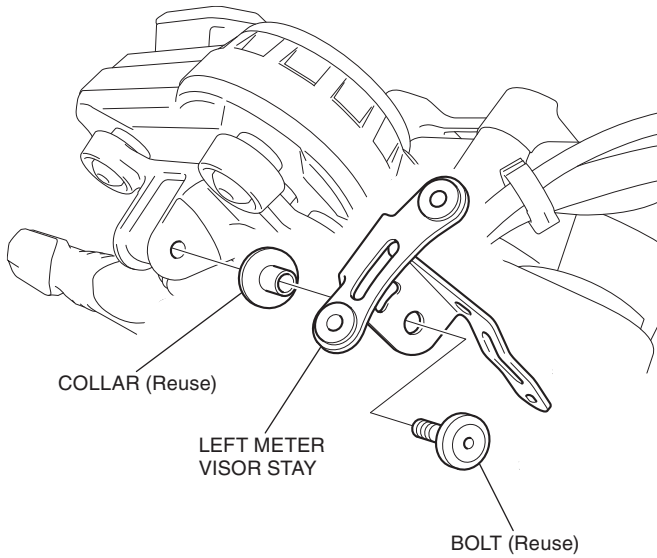
6. Remove the bolts as shown.



7. Install the well nuts as shown.



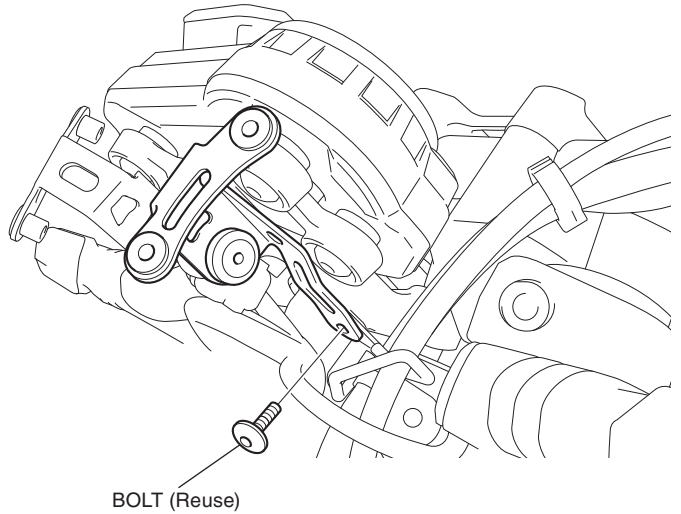
8. Loosely install the left meter visor stay as shown.



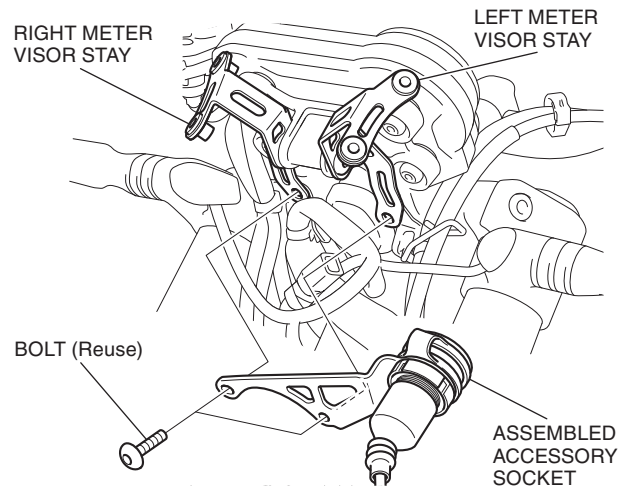
9. Loosely install the right meter visor stay in the same manner as the left side.

10. Loosely install the bolt as shown.

- Repeat on the right side.



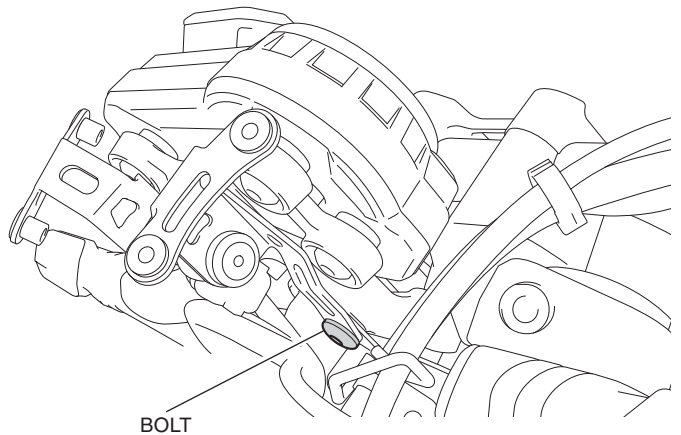
When installing the Accessory socket



11. Securely tighten the bolt as shown.

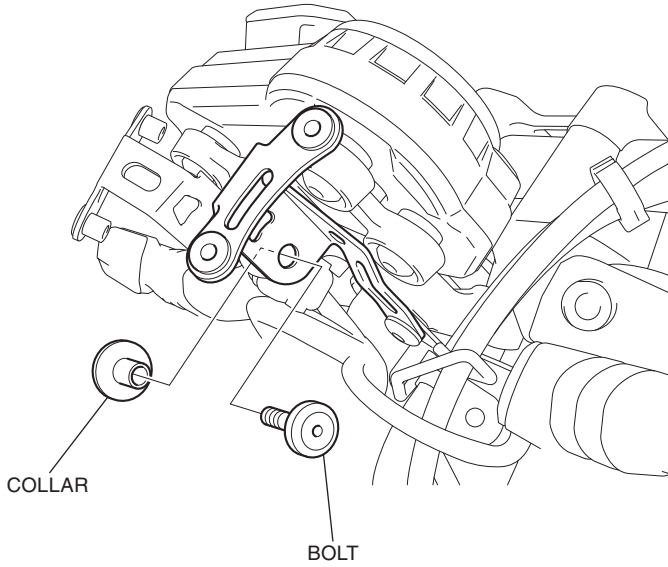
- Repeat on the right side.

<Left side>



12. Remove the bolt and collar as shown.

- Repeat on the right side.

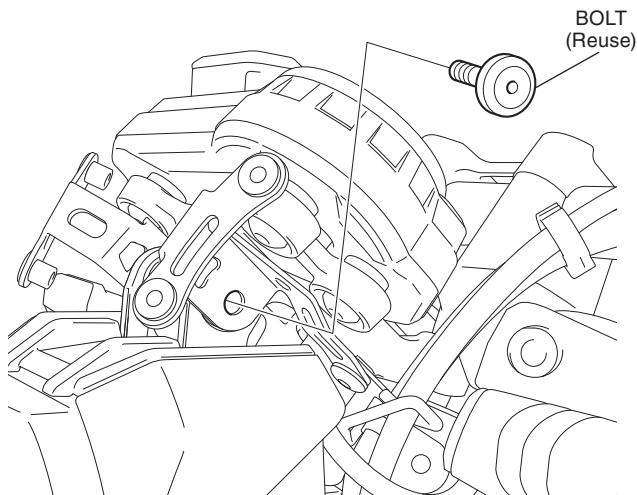


13. Install the collars to the headlight in the reverse order of removal.

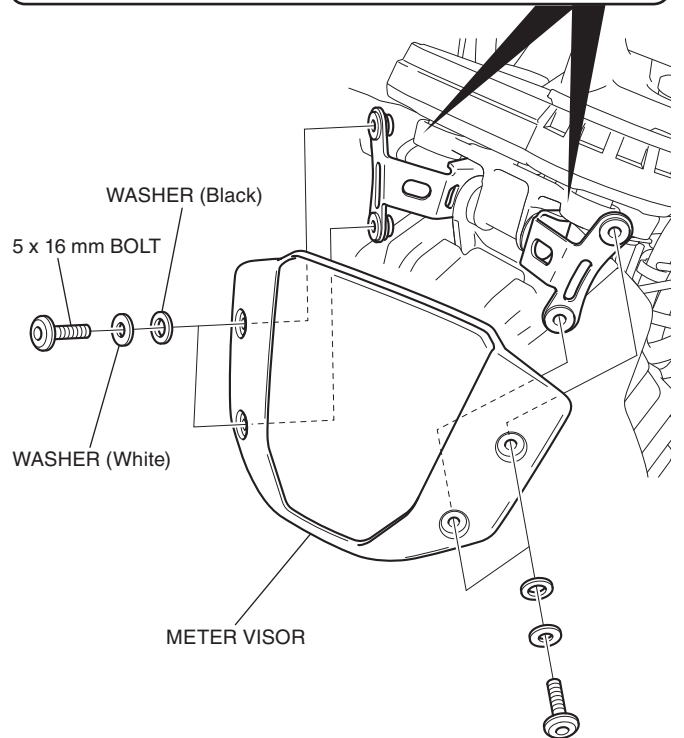
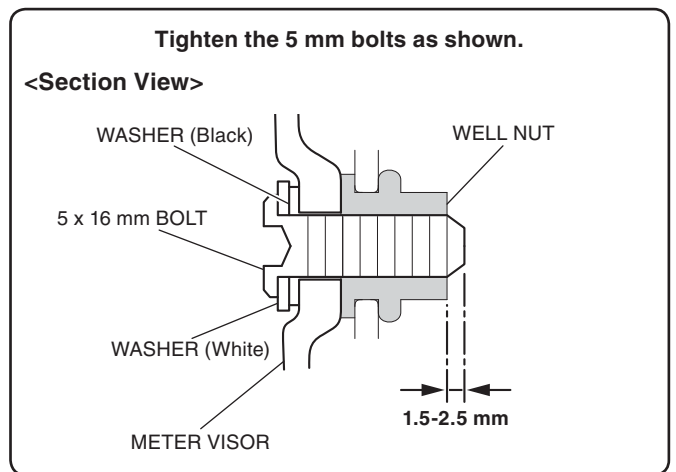
14. Install the headlight in the reverse order of removal.

15. Install the bolt as shown.

- Repeat on the right side.



16. Install the meter visor as shown.



17. Install the motorcycle's parts in the reverse order of removal.

- Confirm that any wire harness is not caught or too tight.