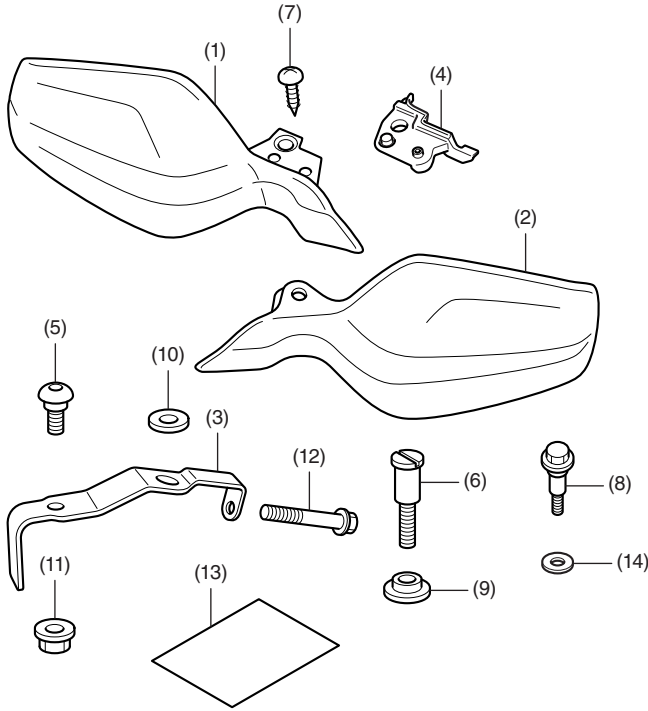


Honda Dealer: Please give a copy of these instructions to your customer.

PARTS LIST



No.	Description	Qty
(1)	Right handguard	1
(2)	Left handguard	1
(3)	Left guard stay	1
(4)	Right guard bracket	1
(5)	6 mm socket bolt	1
(6)	Left lever pivot bolt	1
(7)	4 mm screw	1
(8)	Right lever pivot bolt	1
(9)	Collar	2
(10)	Washer (large)	1
(11)	6 mm flange nut	1
(12)	6 mm SH flange bolt	1
(13)	Installation Instruction URL	1
(14)	Washer (small)	1

TOOLS AND SUPPLIES REQUIRED

- Socket (8 mm)
- Ratchet
- Open-end wrench (8 and 10 mm)
- Hex wrench (5 mm)
- Phillips® screwdriver
- Flat-tip screwdriver
- Grease
- Shop towel
- Torque wrench

TORQUE CHART

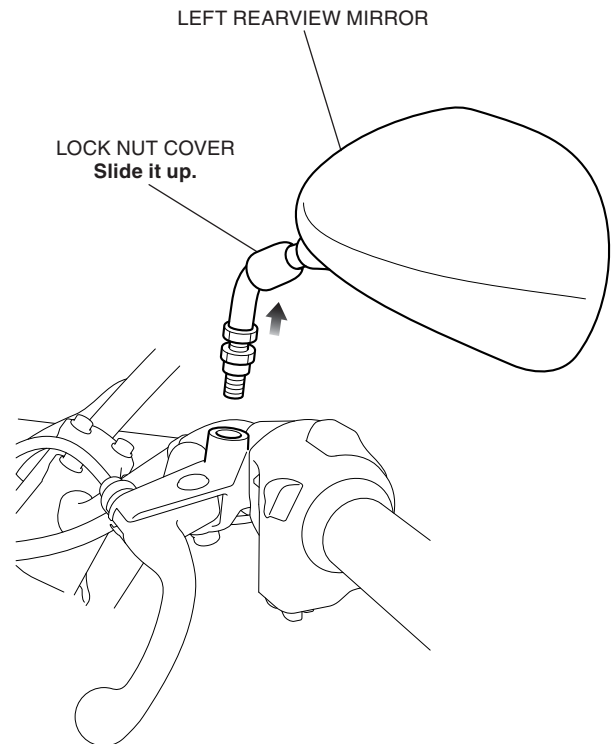
Tighten all screws, bolts, and nuts to their specified torque values. Refer to the Service Manual for the torque values of the removed parts.

Item	N-m	kgf-m	lbf-ft
4 mm screw	1	0.1	0.7
Right lever pivot bolt	1	0.1	0.7
Left lever pivot bolt	1	0.1	0.7
6 mm socket bolt	10	1.0	7
6 mm SH flange bolt	12	1.2	9

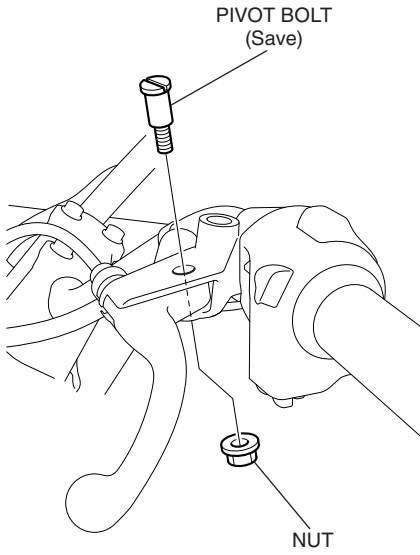
INSTALLATION

1. Remove the left rearview mirror as shown.

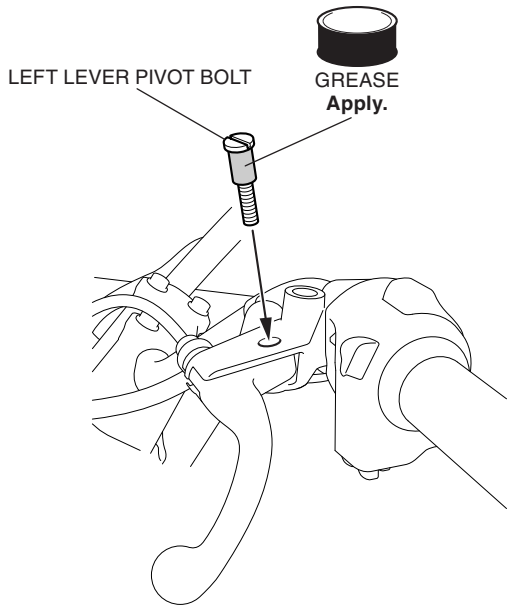
<Left side>



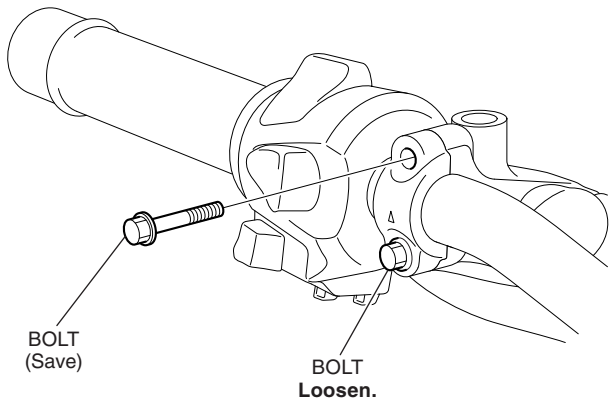
2. Remove the pivot bolt and nut.



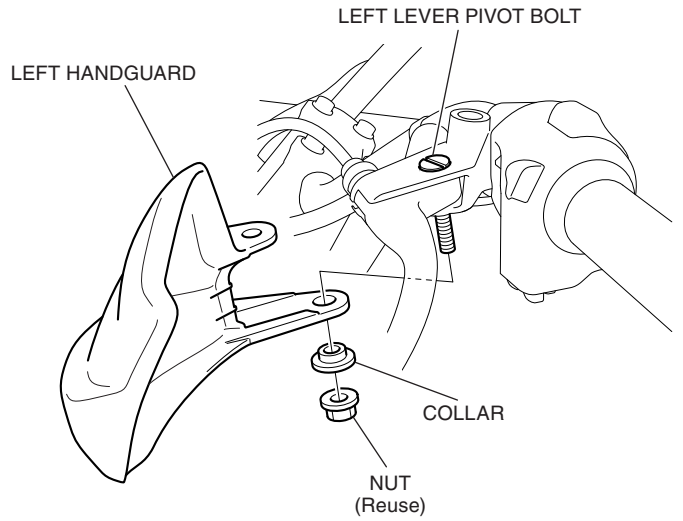
3. Install the left lever pivot bolt as shown.



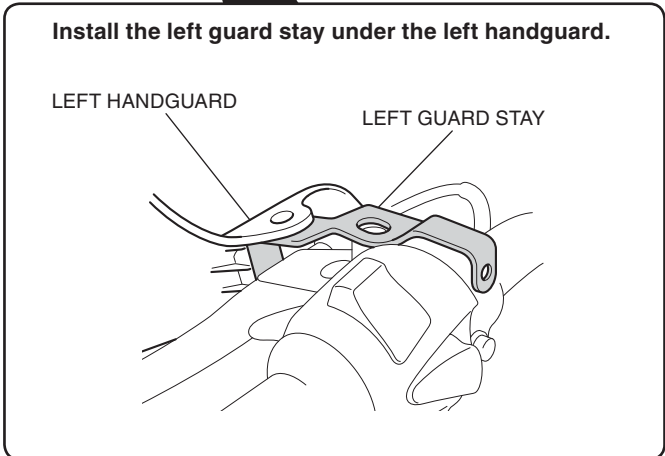
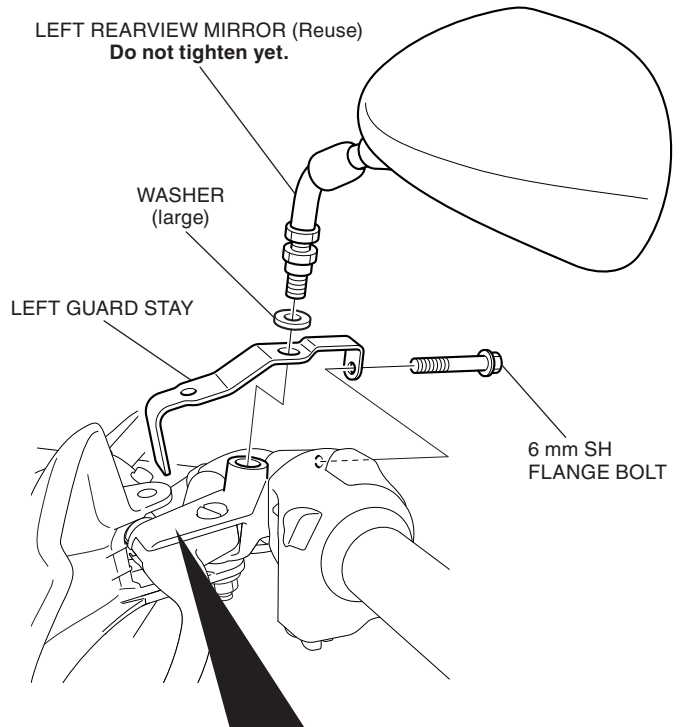
4. Remove the bolt as shown.



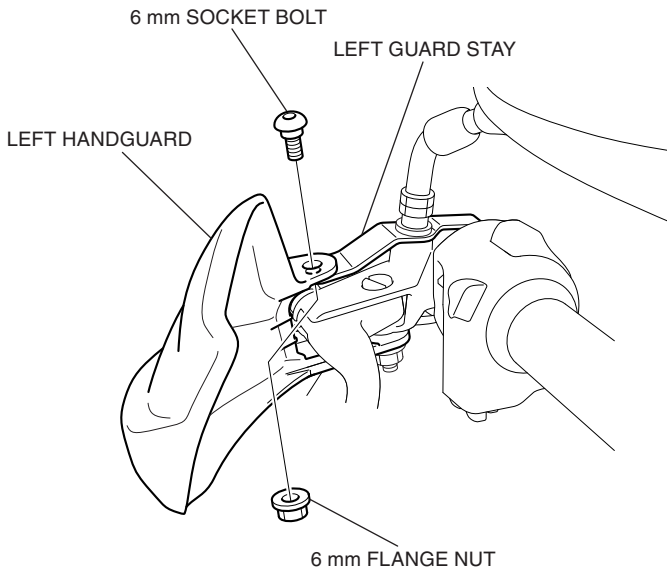
5. Install the left handguard as shown.



6. Loosely install the left guard stay and the left rearview mirror as shown.



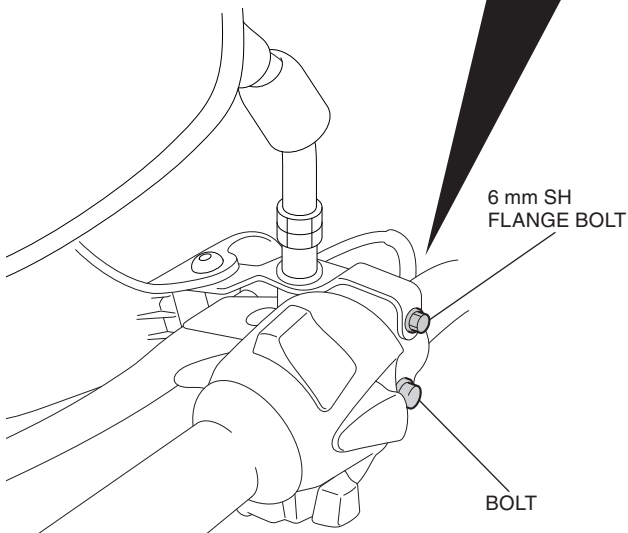
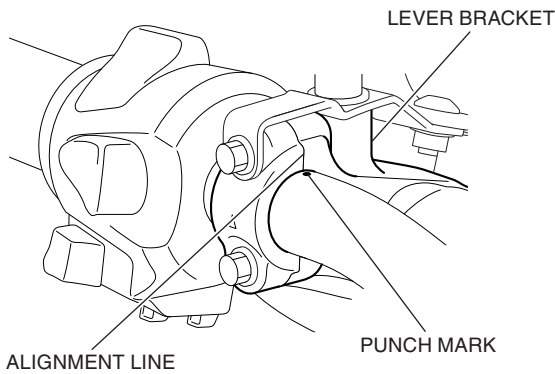
7. Install the left handguard as shown.



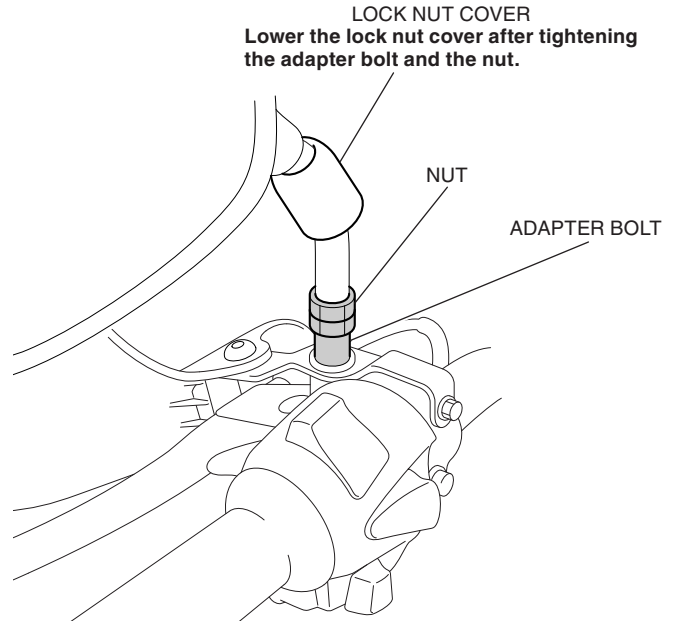
8. Tighten the bolts to the specifications in the torque chart.

- Tighten the upper bolt first, then tighten the lower bolt.

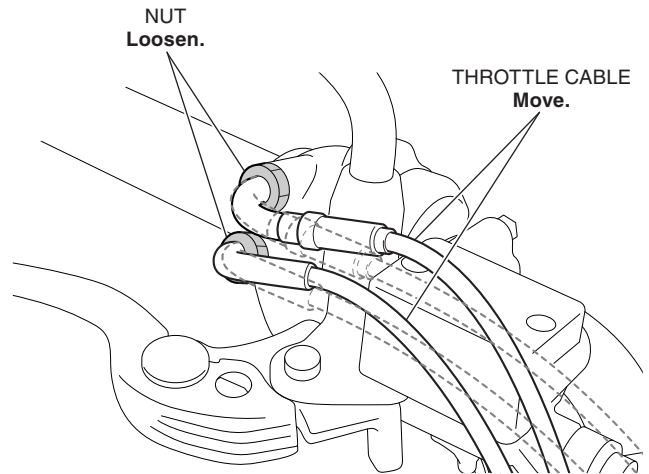
Align the edge of lever bracket with the punch mark on the handlebar.



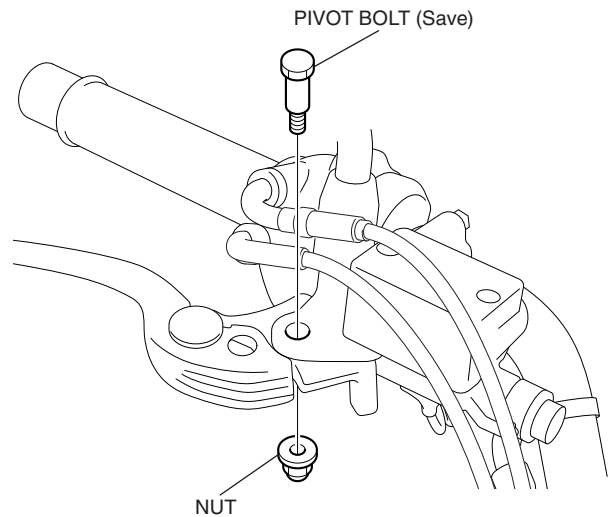
9. Tighten all loosely installed hardware to the specifications in the torque chart.



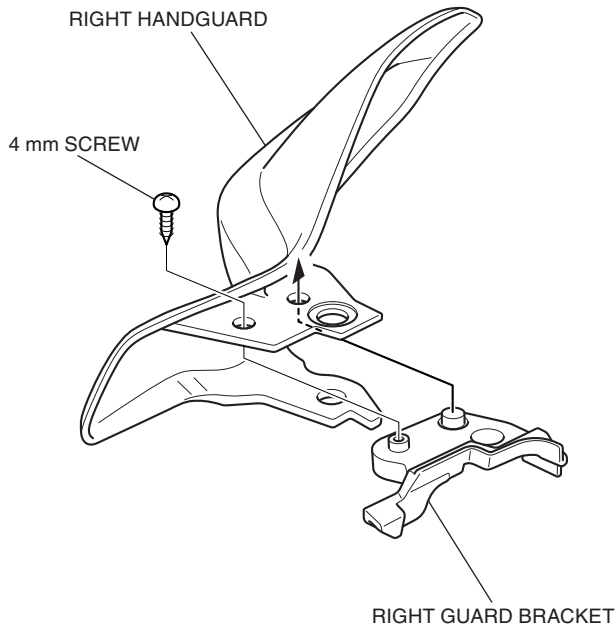
10. Move the throttle cables as shown.
<Right side>



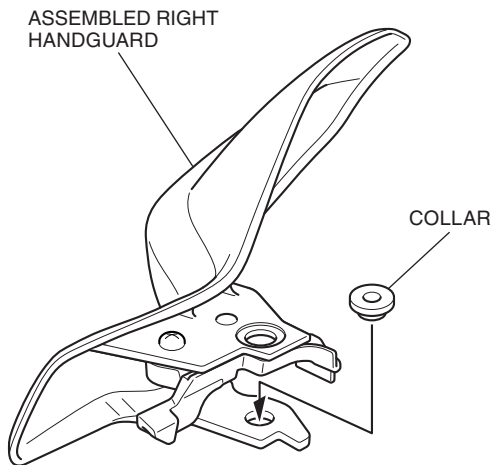
11. Remove the pivot bolt and nut.



12. Assemble the right handguard as shown.

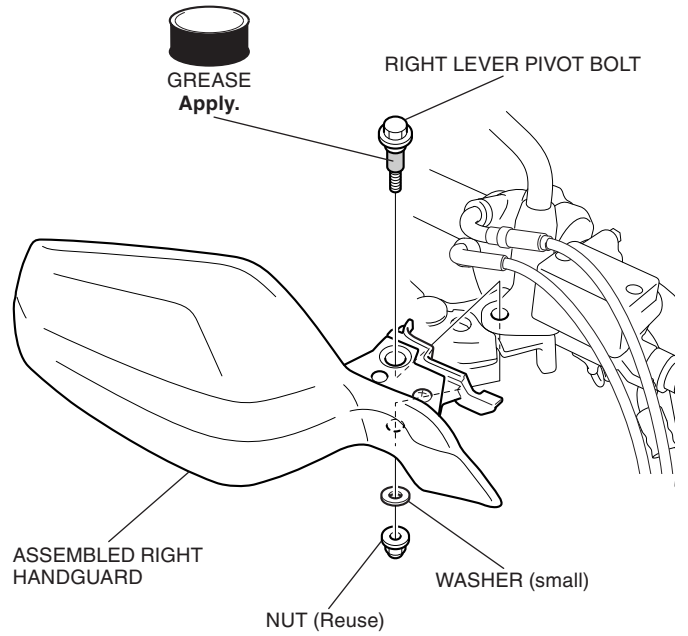


13. Install the collar as shown.



14. Install the right handguard as shown.

- **First install the right lever pivot bolt.**



15. Reposition the throttle cables and tighten the nuts securely.