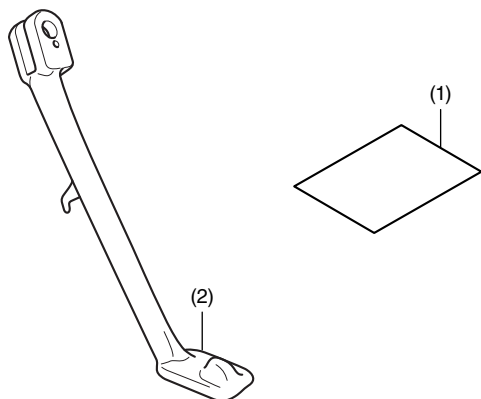


PARTS LIST



No.	Description	Qty
(1)	Installation Instruction URL	1
(2)	Sidestand	1

SUPPLY REQUIRED

Grease

TORQUE CHART

Refer to the Service Manual for the torque values of the removed parts.

INSTALLATION

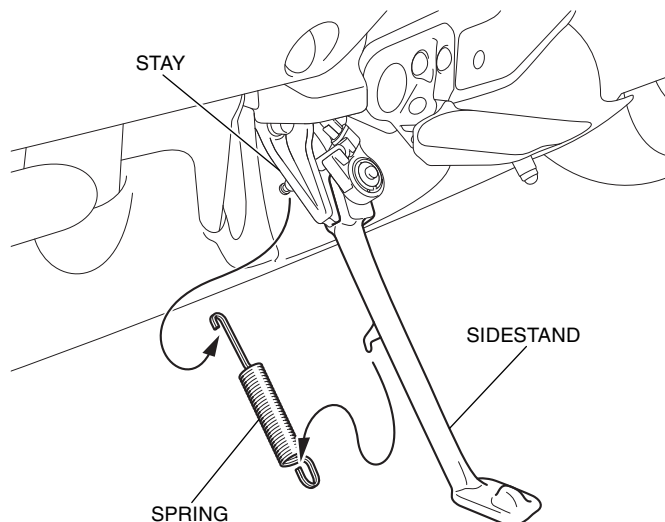
▲ CAUTION

- To prevent burns, allow the engine, exhaust system, radiator, etc., to cool before installing the accessory.

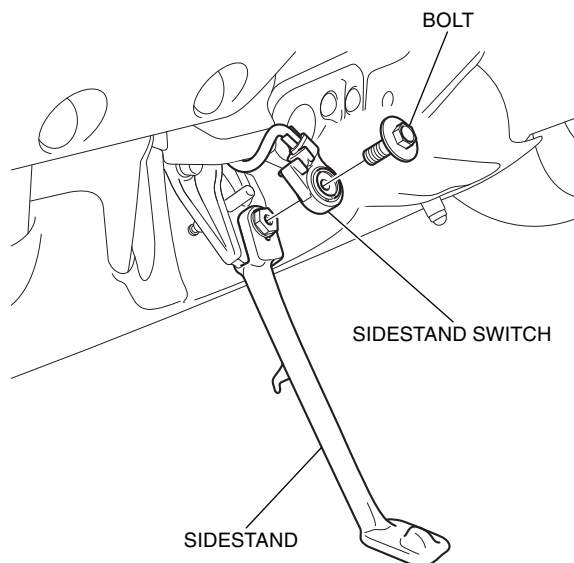
NOTE:

- Be extremely careful when installing the spring as the combined tension of the spring is very strong.
- Support the motorcycle securely when installing the sidestand.
- The spring installation shall be performed by two persons. While one person holds the motorcycle, another person installs the spring.

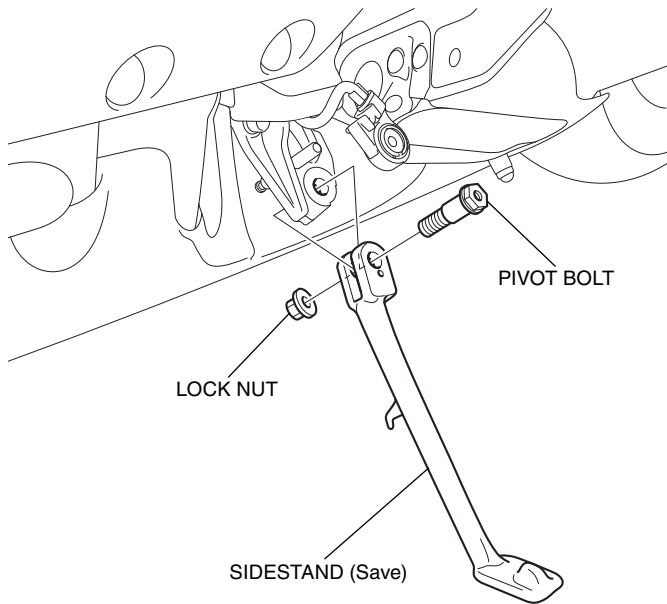
- Remove the spring from the sidestand as shown.
 <Left side>



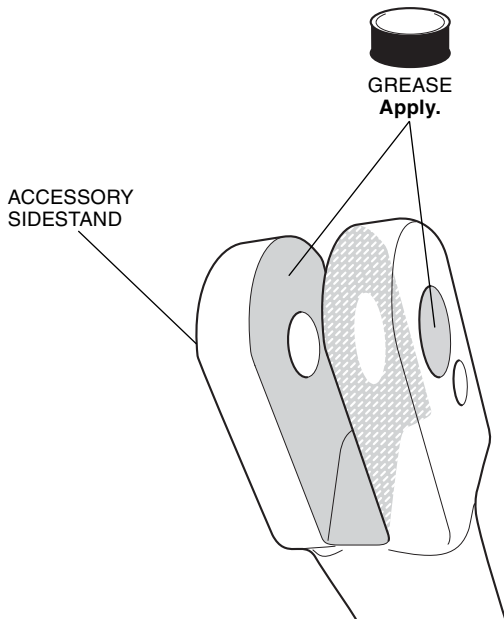
- Remove the sidestand switch as shown.



3. Remove the pivot bolt and sidestand as shown.



4. Apply grease to the accessory sidestand in the positions shown.



5. Install the accessory sidestand, sidestand switch, and spring in the reverse order of removal.

6. Check the sidestand switch and each light for proper operation.

- **Check that the engine does not start with the motorcycle setting on the the sidestand.**
- **Check that the engine starts with sidestand retracted.**