

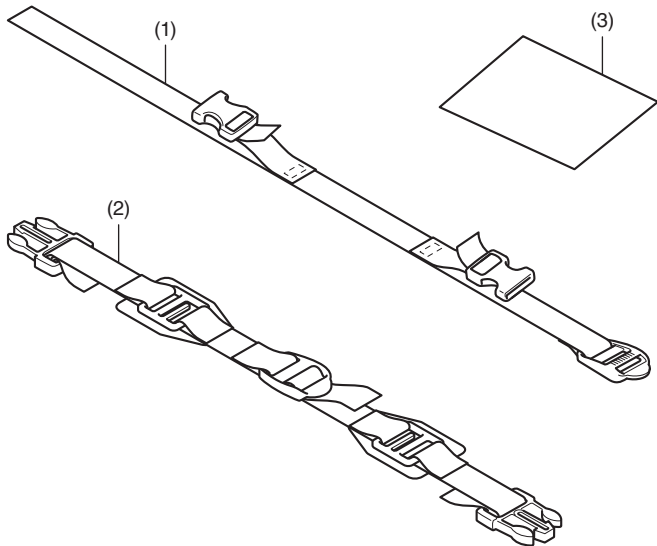


INSTALLATION INSTRUCTIONS

| | | |
|--|--------------------------------------|-----------------|
| Accessory | Application | Publication No. |
| SEAT BAG ATTACHMENT P/N 08L71-MJW-J00 | After '15 CB500F/FA CBR500R/RA | MII 15802 |
| | | Issue Date |
| March 2016 | | |

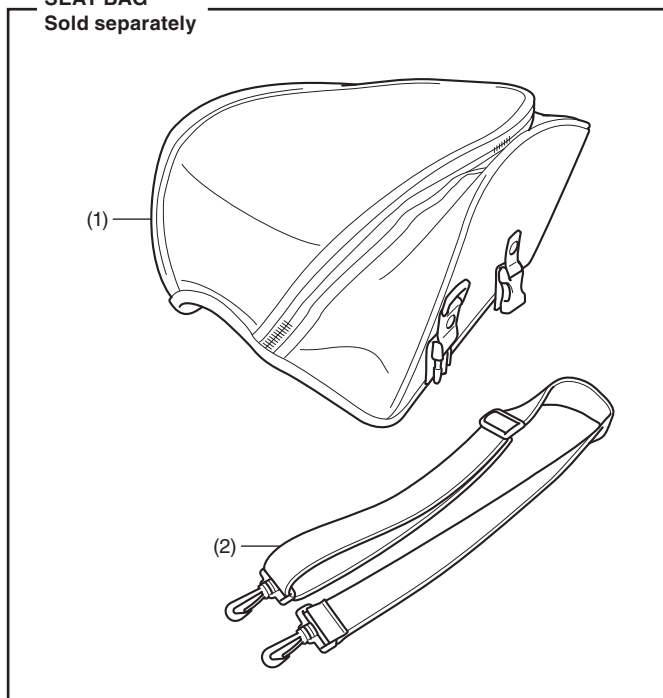
Honda Dealer: Please give a copy of these instructions to your customer.

PARTS LIST



| No. | Description | Qty |
|-----|------------------------------|-----|
| (1) | Front strap | 1 |
| (2) | Seat bag strap | 1 |
| (3) | Installation Instruction URL | 1 |

SEAT BAG Sold separately



| No. | Description | Qty |
|-----|----------------|-----|
| (1) | Seat bag | 1 |
| (2) | Shoulder strap | 1 |

MAXIMUM LOADING CAPACITY

- The weight of the cargo must not exceed the following maximum loading capacity:

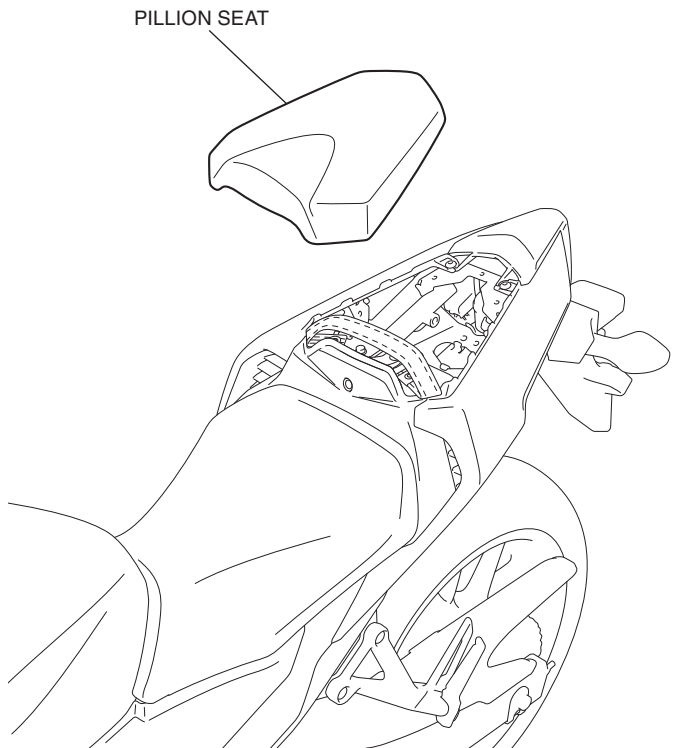
| Maximum Loading Capacity | |
|--------------------------|------------------|
| Seat bag | 5.0 kg (11.0 lb) |

INSTALLATION

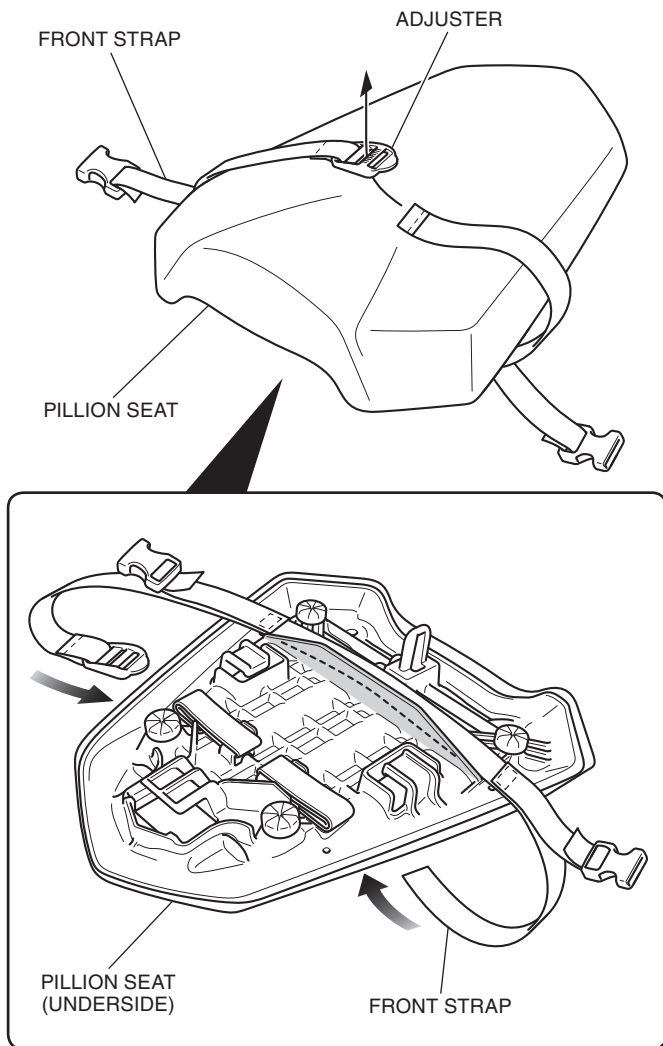
▲ CAUTION

- To prevent burns, allow the engine, exhaust system, radiator, etc., to cool before installing the accessory.

- Remove the pillion seat as shown.

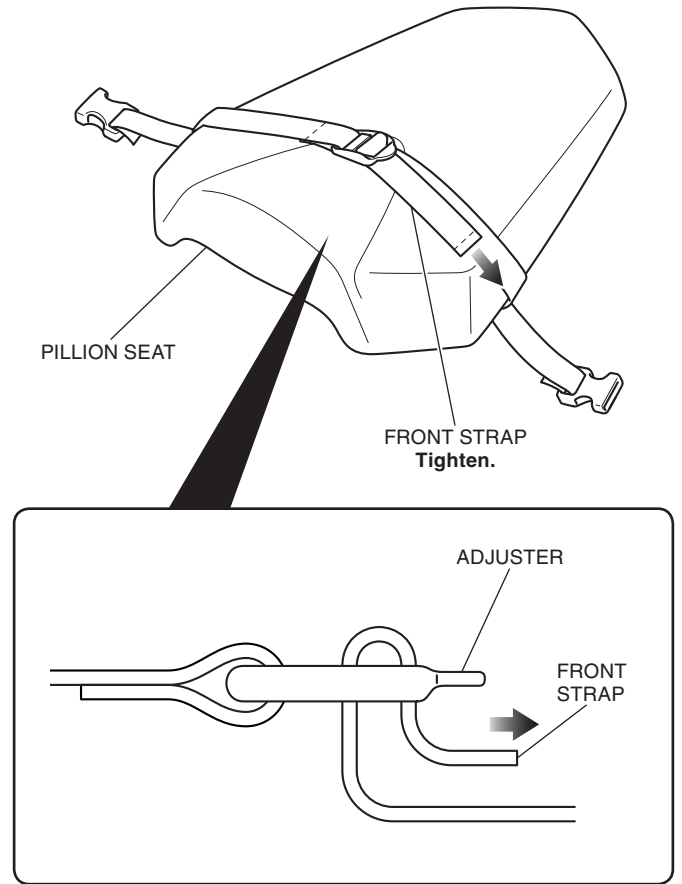


2. Install the front strap to the pillion seat as shown.

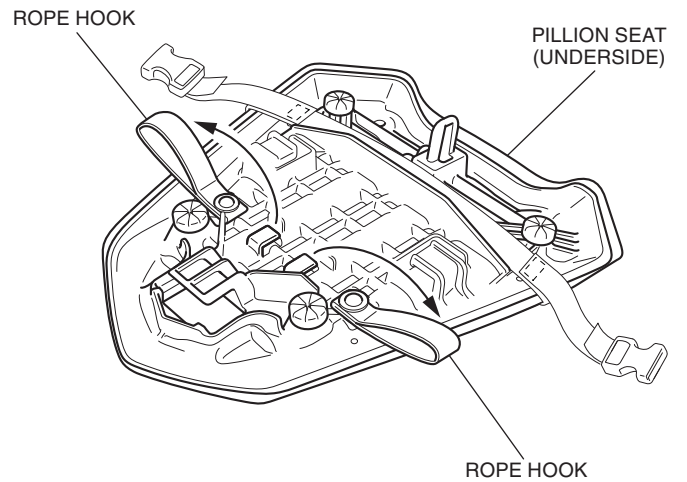


3. Secure the front strap to the pillion seat as shown.

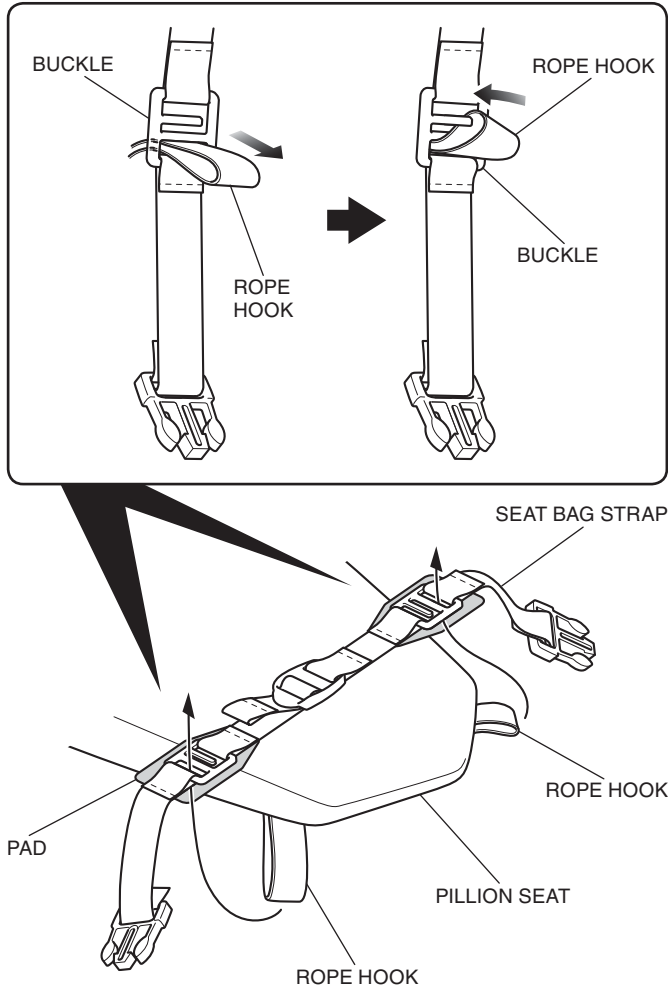
- **Secure by pulling the strap tight.**



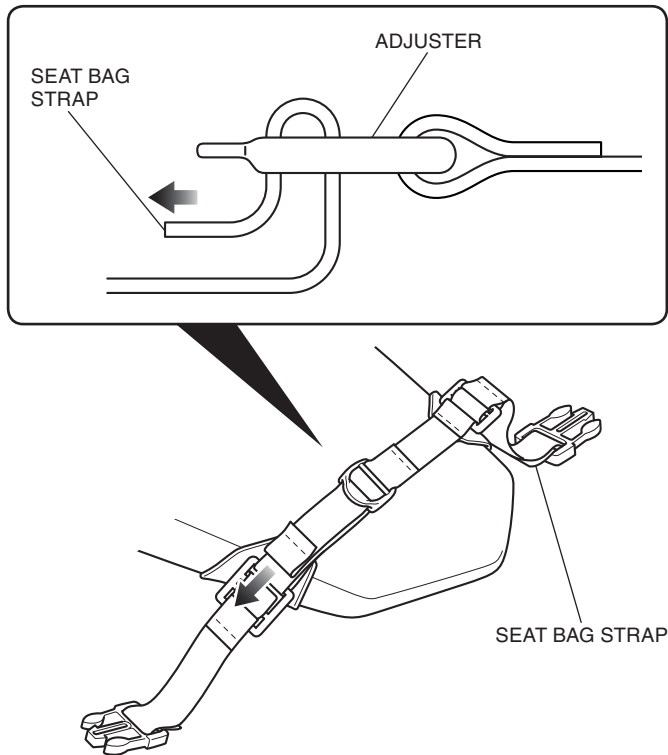
4. Pull the rope hooks out as shown.



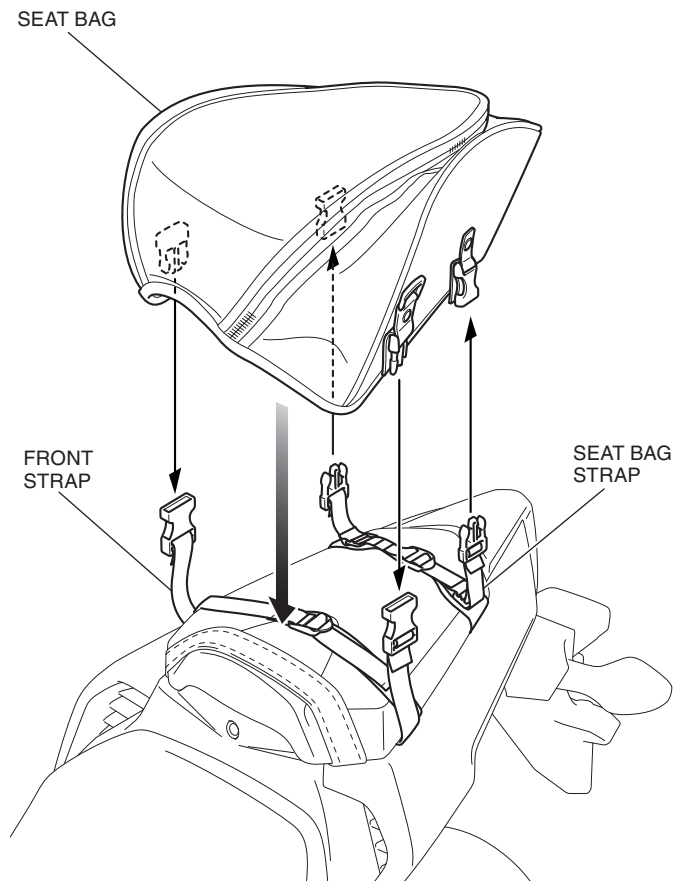
5. Hook the rope hooks onto the buckle as shown.
- **Make sure the pads are between each buckle and the pillion seat.**



6. Tighten the seat bag strap as shown.



7. Install the pillion seat in the reverse order of removal.
8. Install the seat bag on the pillion seat as shown.



9. Tighten the straps while adjusting the balance between the right and left sides of the seat bag.
- **Secure well by pulling the straps tight.**

