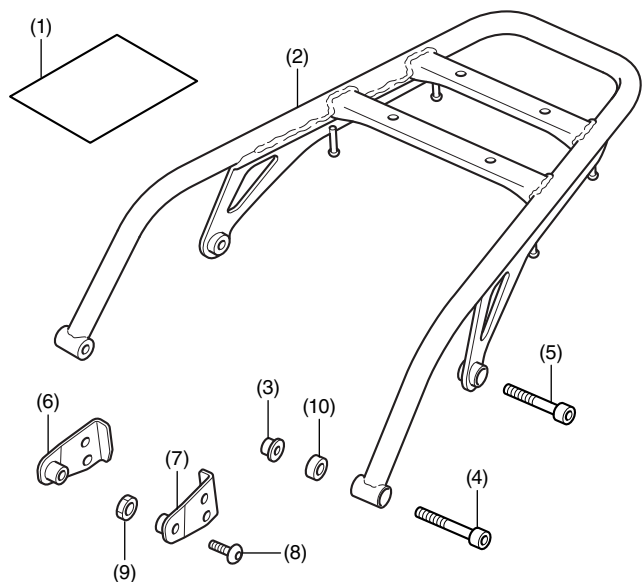


PARTS LIST



No.	Description	Qty
(1)	Installation Instruction URL	1
(2)	Rear carrier	1
(3)	Flange collar	4
(4)	8 mm socket bolt (long)	2
(5)	8 mm socket bolt (medium)	2
(6)	Right garnish stay (CB1100SA only)	1
(7)	Left garnish stay (CB1100SA only)	1
(8)	8 mm socket bolt (short)	2
(9)	8 mm nut	2
(10)	Collar (Not used for SA type.)	4

TOOLS REQUIRED

- Hex wrench (6 mm)
- Box-end wrench (12 mm)
- Torque wrench

TORQUE CHART

Tighten all screws, bolts, and nuts to their specified torque values. Refer to the Service Manual for the torque values of the removed parts.

Item	N·m	kgf·m	lbf·ft
8 mm nut	22	2.2	16
8 mm socket bolt	40	4.1	30

INSTALLATION

CONTENTS

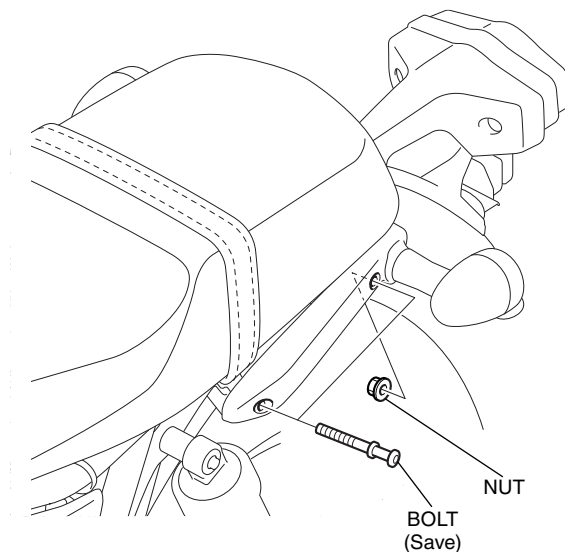
Refer to the following page for each model.

INSTALLATION <CB1100>..... P.1

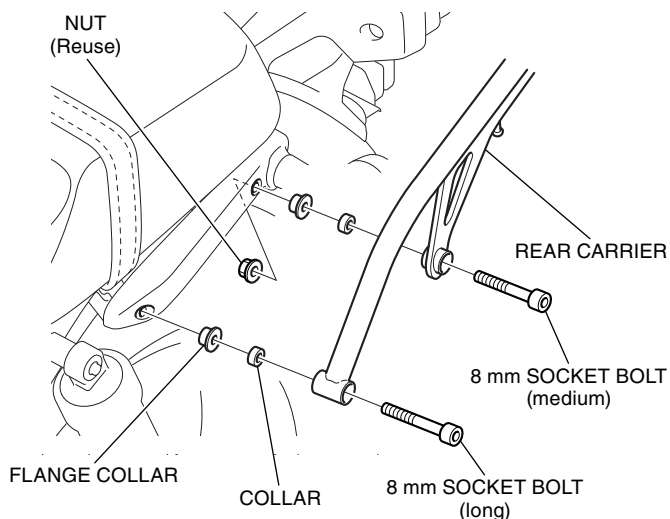
INSTALLATION <CB1100SA>..... P.2

INSTALLATION <CB1100>

- Remove the bolt and nut as shown.
 - Repeat on the right side.

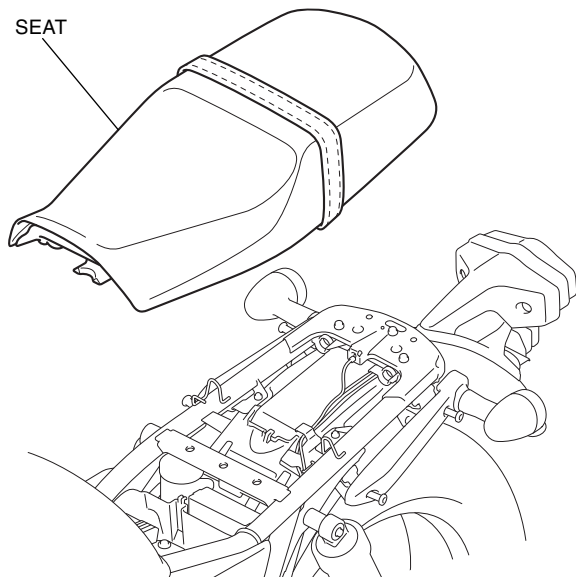


- Install the rear carrier as shown.
 - Repeat on the right side.



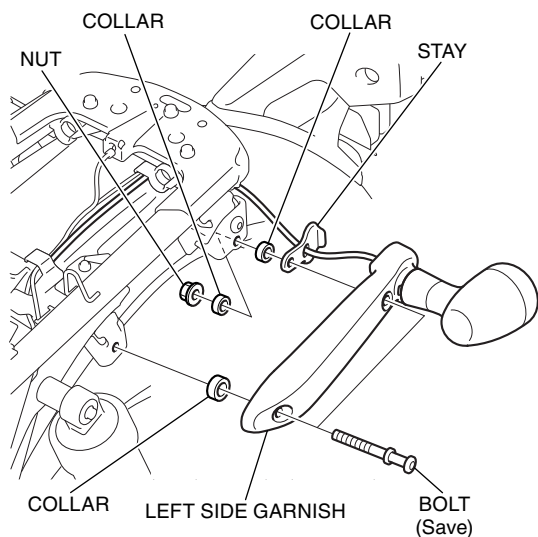
INSTALLATION <CB1100SA>

1. Remove the motorcycle parts as shown.



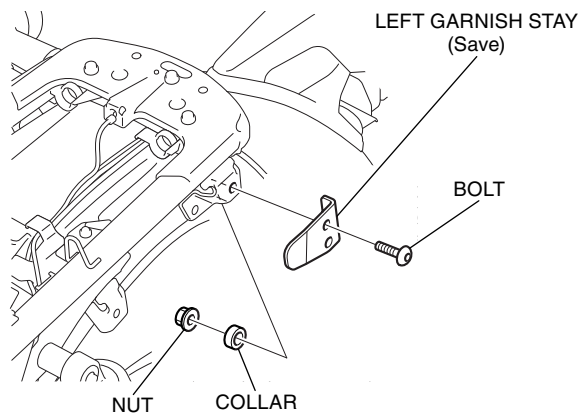
2. Remove the side garnish as shown.

- Repeat on the right side.



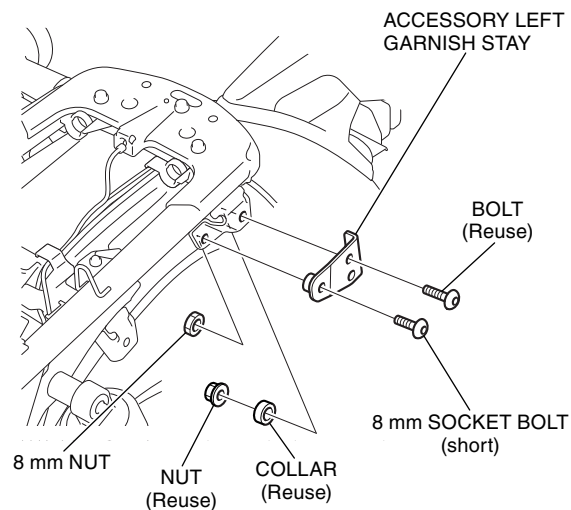
3. Remove the existing left garnish stay as shown.

- Repeat on the right side.



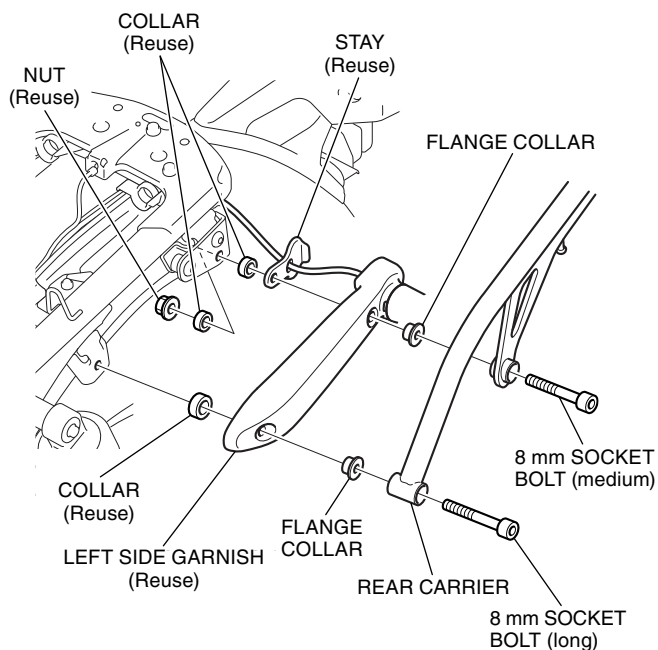
4. Install the accessory left garnish stay as shown.

- Repeat on the right side.



5. Install the rear carrier as shown.

- Repeat on the right side.



6. Install the removed parts in the reverse order of removal.