

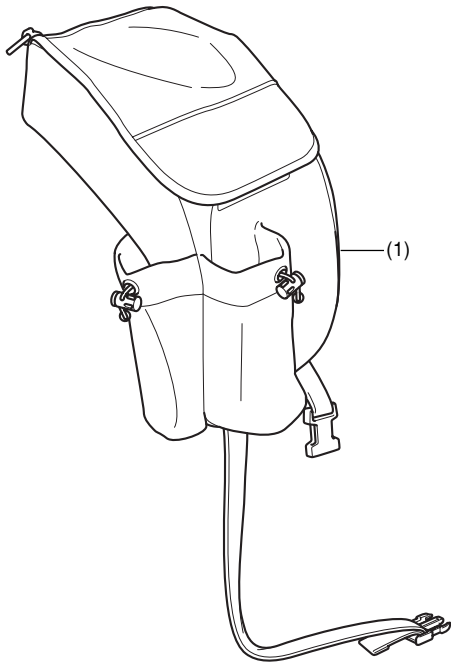


INSTALLATION INSTRUCTIONS

Accessory RIGHT REAR FENDER BAG P/N 08L56-HN8-100C	Application TRX250/420/500/650/680	Publications No. MII 13201
		Issue Date Revised July 2010

Honda Dealer: Please give a copy of these instructions to your customer.

PARTS LIST



No.	Description	Qty
(1)	Right rear fender bag	1

USE AND CARE INFORMATION

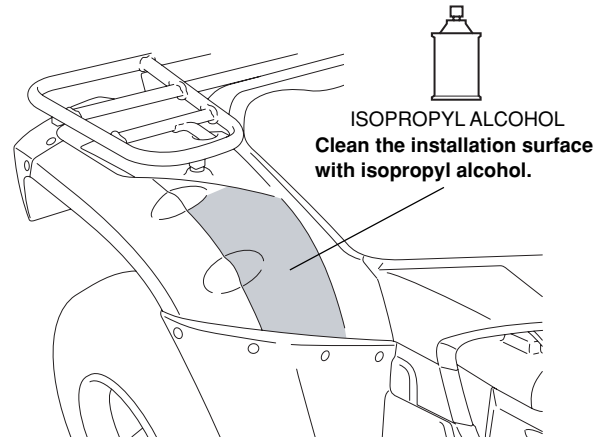
- Check that the right rear fender bag is mounted securely on the ATV before riding.
- Note that this accessory is not fully water resistant.

INSTALLATION

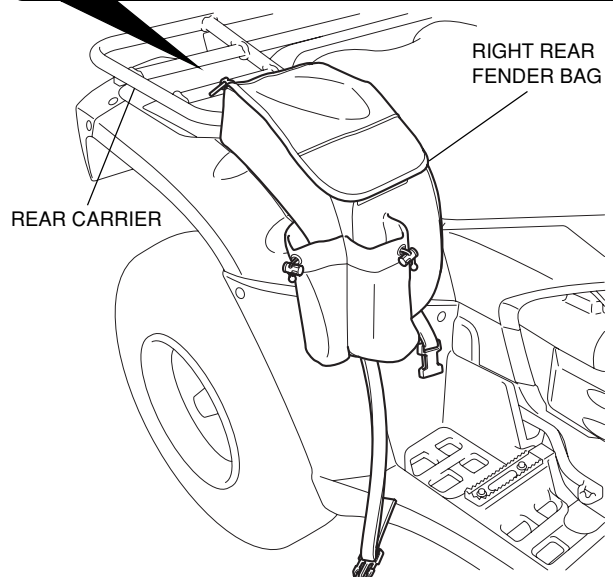
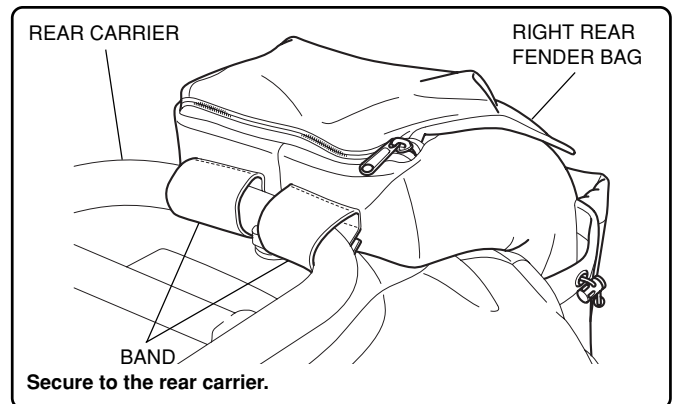
NOTE:

- Heat the bonding surfaces with a hair dryer if the ambient air temperature is below 70°F (21°C).
- The adhesive reaches full strength in 72 hours. Wait at least 24 hours before riding your ATV.

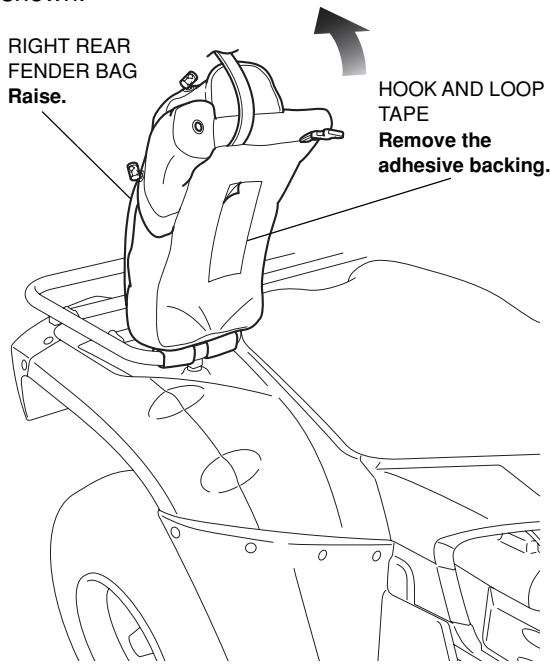
1. Clean the indicated (shaded) area of the rear fender with isopropyl alcohol.



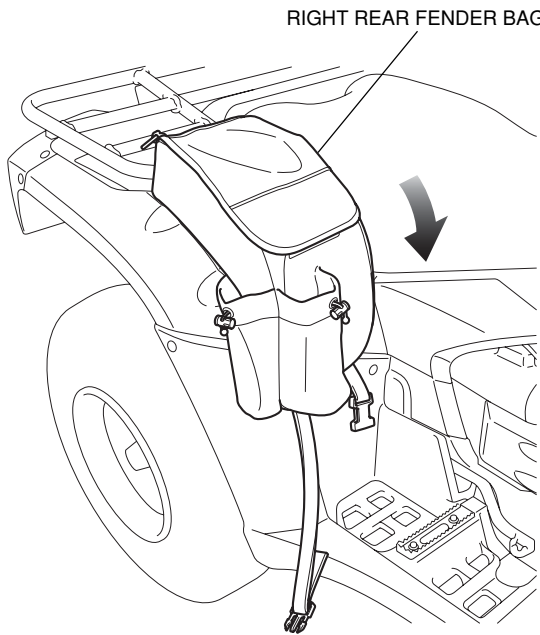
2. Secure the right rear fender bag to the rear carrier as shown.



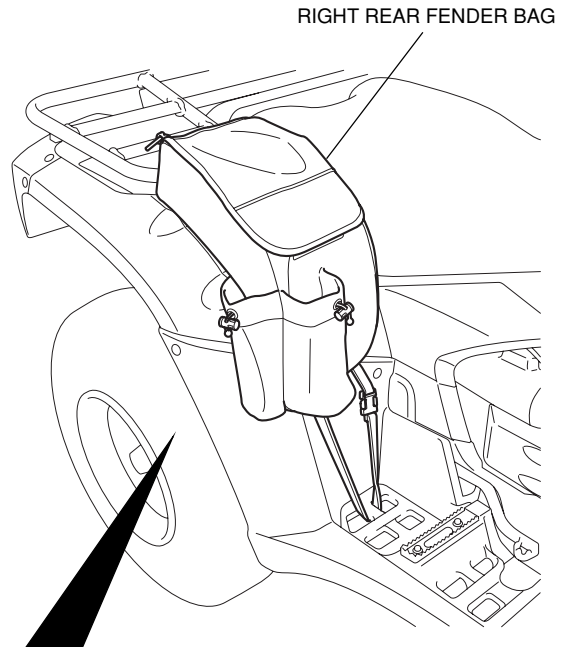
3. Raise the right rear fender bag as shown and remove the adhesive backing from the hook and loop tape as shown.



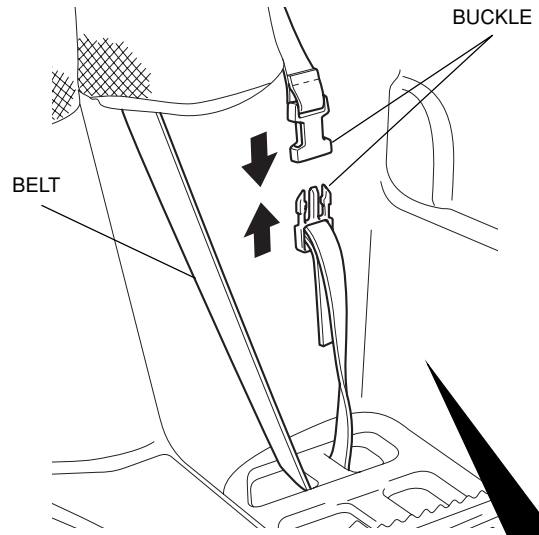
4. Lower the right rear fender bag and adhere it to the ATV fender as shown.
- Press on the hook and loop tape firmly and adhere the right rear fender bag to the ATV securely.



5. Route the belt as shown to secure the right rear fender bag.



Route the belt as shown and connect the buckle.



BELT
Tighten.