



INSTALLATION INSTRUCTIONS

Accessory

LEATHER SEAT
P/N 08F82-MFY-100B

Application

VT1300CR/CS/CT

Publication No.

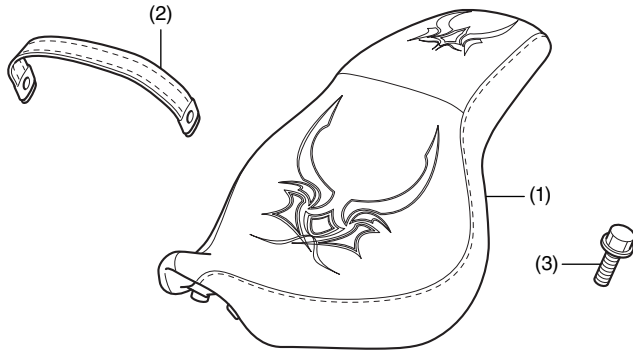
MII 13401

Issue Date

September 2010

Honda Dealer: Please give a copy of these instructions to your customer.

PARTS LIST



No.	Description	Qty
(1)	Leather seat	1
(2)	Belt	1
(3)	6 mm flange bolt	2

TOOLS AND SUPPLIES REQUIRED

Socket (10 mm)

Ratchet

Thread lock

Torque wrench

TORQUE CHART

Tighten all screws, bolts, and nuts to their specified torque values. Refer to the Service Manual for the torque values of the removed parts.

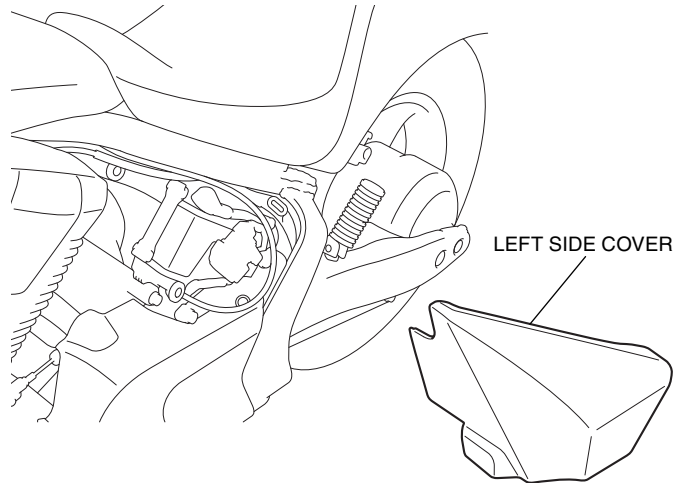
Item	N·m	kgf·m	lbf·ft
6 mm flange bolt	12	1.2	9

USE AND CARE INFORMATION

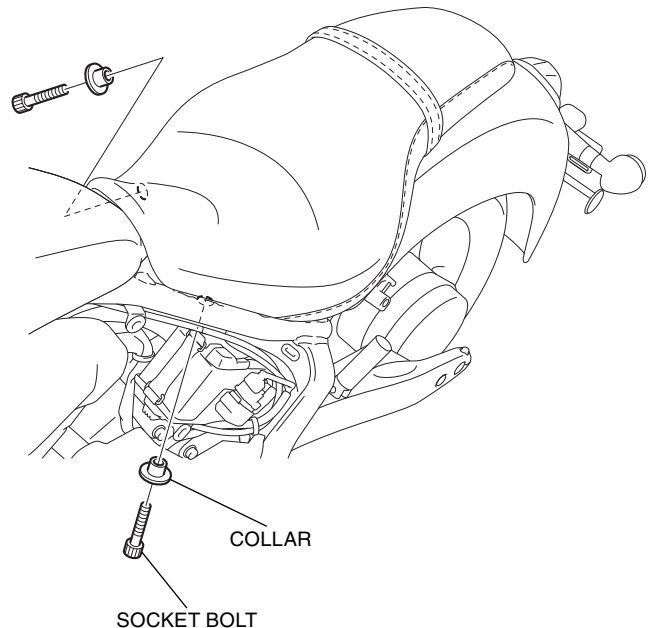
- The leather seat is a high quality leather product that must be cared for. To protect the seat from exposure to weather, clean and condition the leather periodically with high-quality leather care products.
- If the seat becomes completely wet (water has soaked through the leather), it must be dried at room temperature. Never dry the seat in a dryer, in front of a heater, or near a fireplace. Allow two to three days for the seat to dry completely. After drying, apply a high-quality leather conditioner.
- Check the accessory mounts frequently.

INSTALLATION

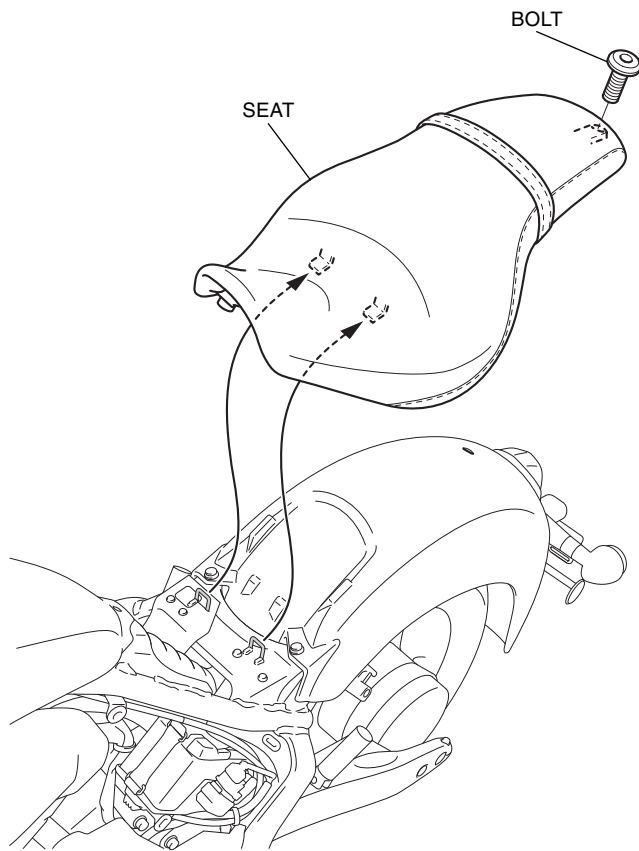
1. Remove the left side cover as shown.



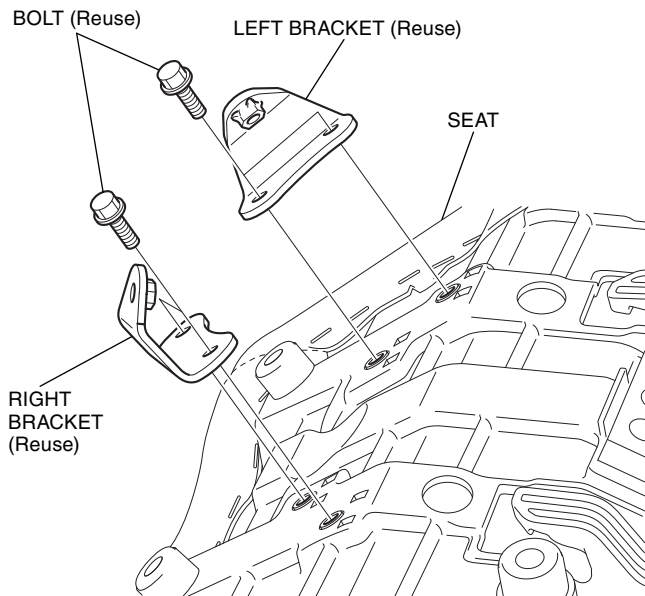
2. Repeat on the right side.
3. Remove the bolts as shown.



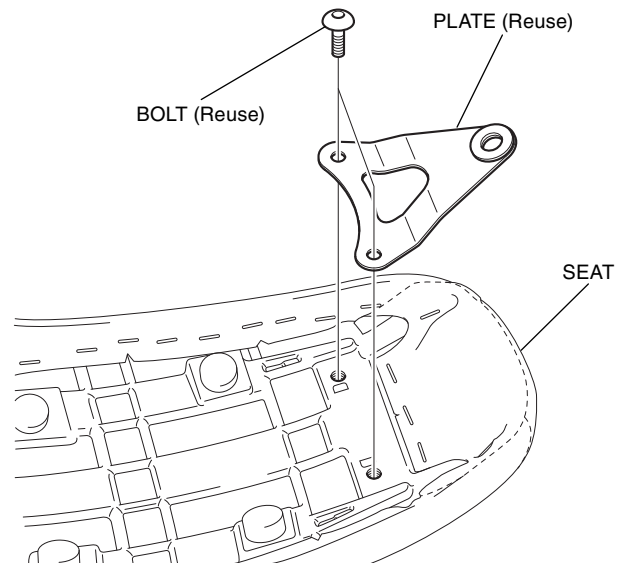
4. Remove the seat from the motorcycle as shown.



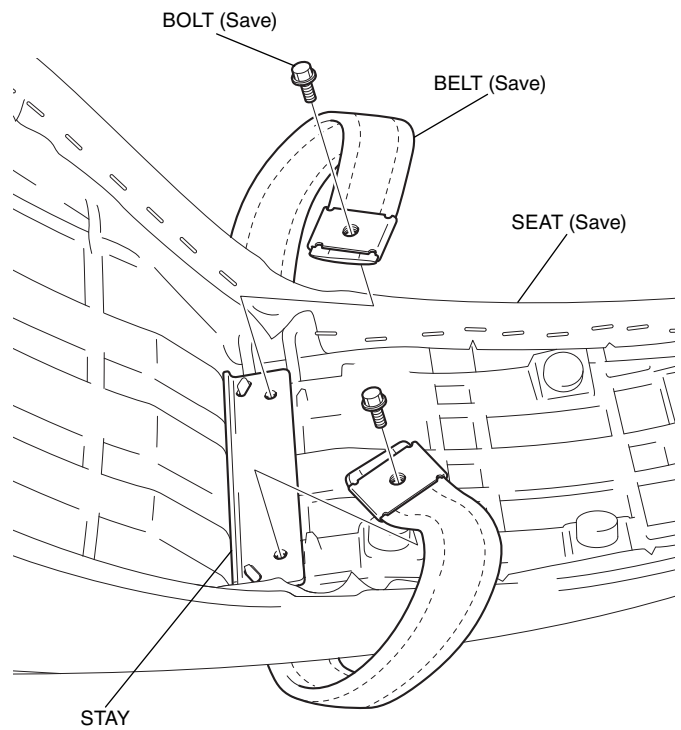
5. Remove the brackets as shown.



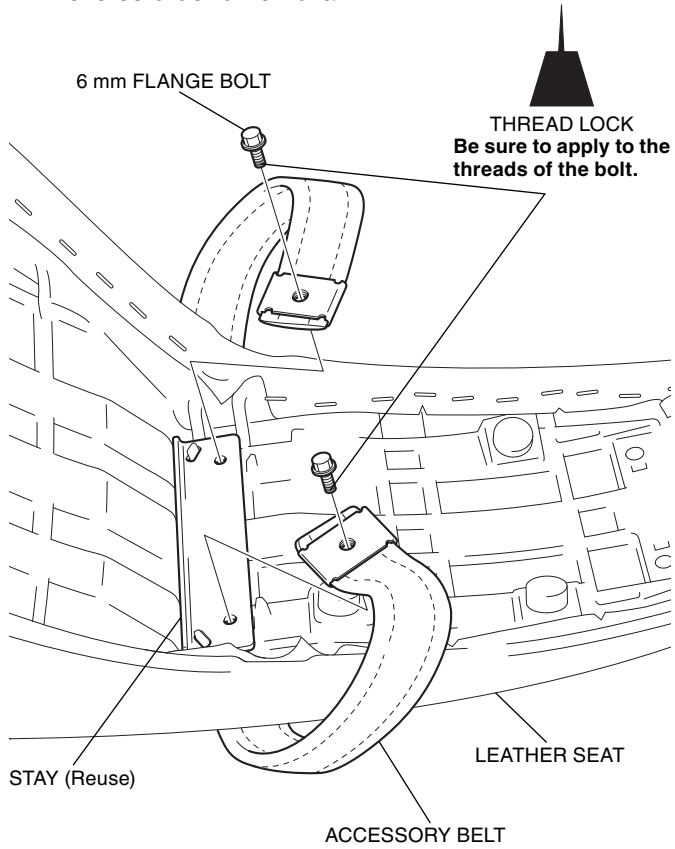
6. Remove the plate as shown.



7. Remove the bolts, belt, and stay from the seat as shown.

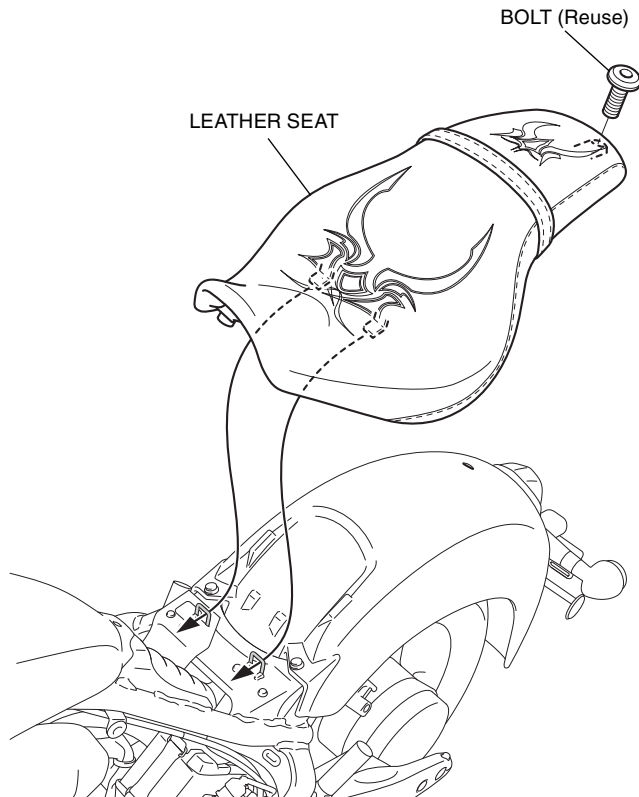


8. Install the stay, accessory belt, and bolts in the reverse order of removal.

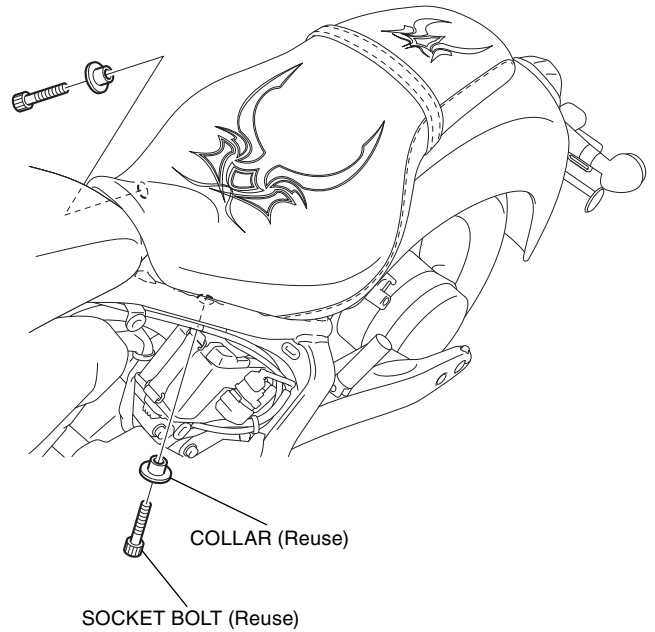


9. Install the plate and the left and right brackets onto the leather seat in the reverse order of removal.

10. Install the leather seat as shown.



11. Install the bolts and collars as shown.



12. Install the left and right side covers in the reverse order of removal.