

HONDA

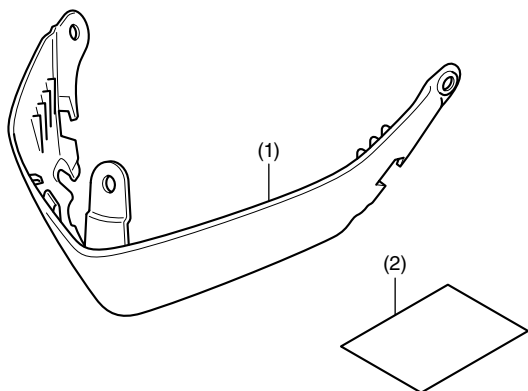
INSTALLATION INSTRUCTIONS

Accessory
FRONT HEADLIGHT COVER
 P/N 08F75-MGZ-J40

Application
CB500F/FA

Publication No.
MII 14448
 Issue Date
February 2013

PARTS LIST



No.	Description	Qty
(1)	Front headlight cover	1
(2)	Installation Instruction URL	1

TORQUE INFORMATION

Refer to the Service Manual for the torque values of the removed parts.

INSTALLATION

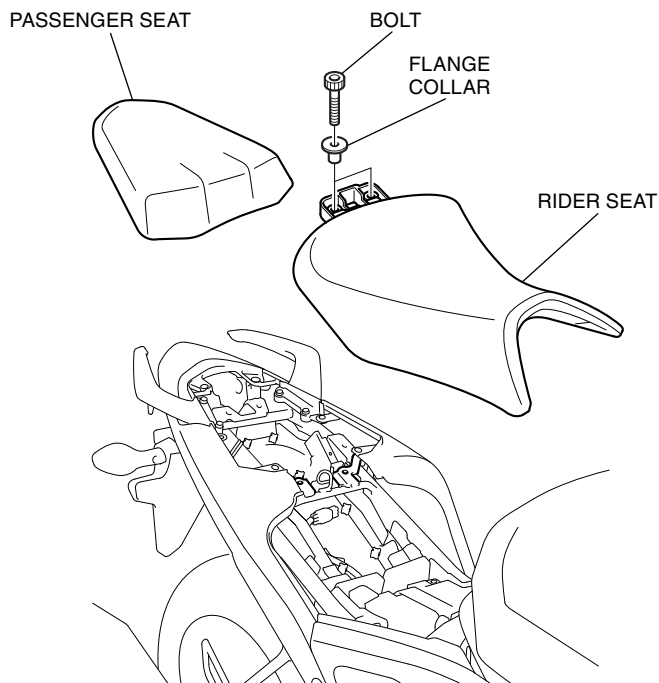
⚠ CAUTION

- To prevent burns, allow the engine, exhaust system, radiator, etc., to cool before installing the accessory.

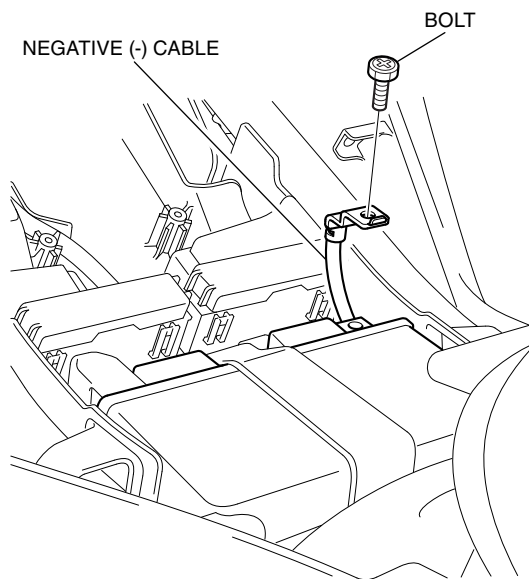
NOTE:

- Take care not to damage the painted surfaces of the motorcycle.
- Reinstall the removed parts on the motorcycle and make sure that wires and harnesses are not pinched.
- Disconnect the negative (-) cable from the battery before installing this accessory.
- The memory of the trip meter will be erased and the clock will stop when the battery is disconnected. After reconnecting the battery, refer to the motorcycle Owner's Manual and reset the clock.

- Refer to the Service Manual for the motorcycle, remove the seats.



- Disconnect the negative (-) cable from the battery as shown.



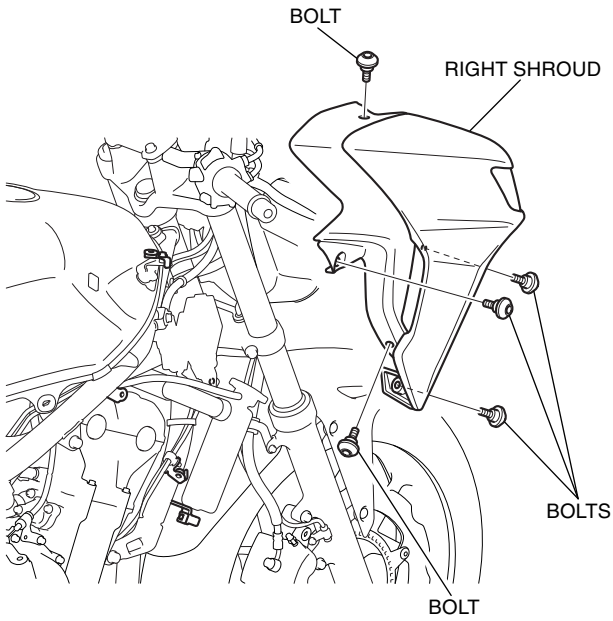
3. Refer to the Service Manual for the motorcycle, remove the right and left side covers.

- Repeat on the left side.

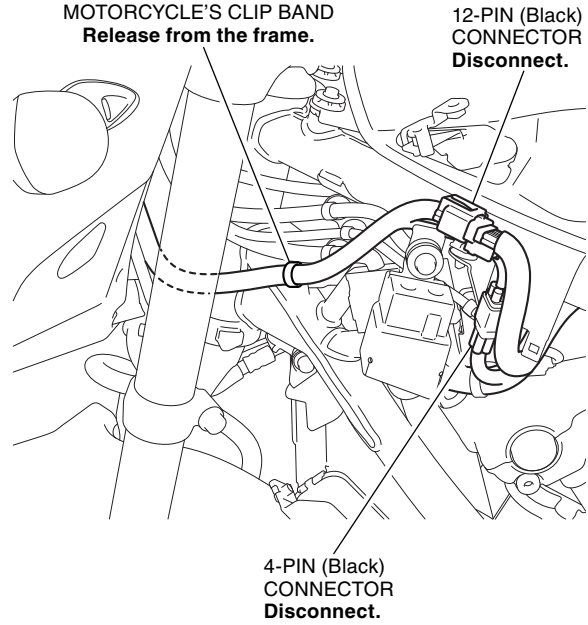


4. Refer to the Service Manual for the motorcycle, remove the right and left shrouds.

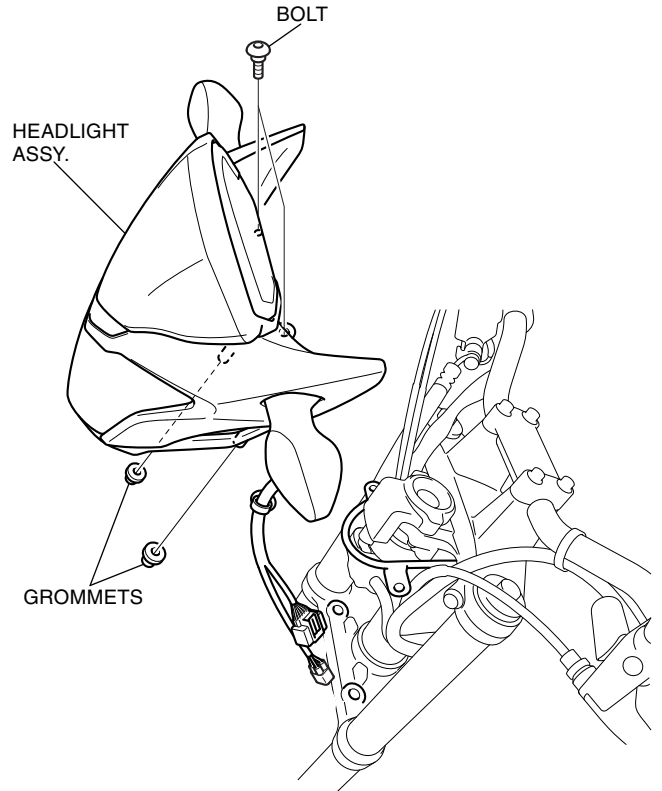
- Repeat on the left side.



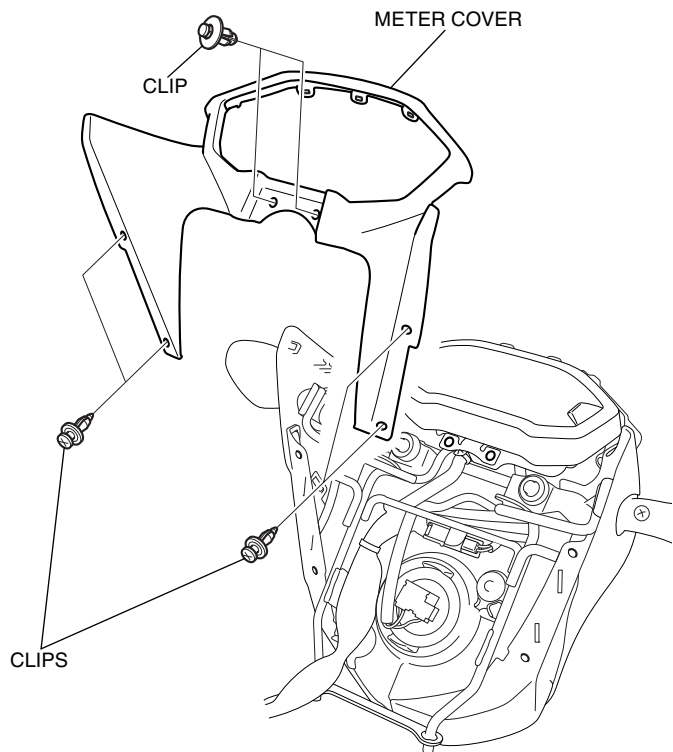
5. Disconnect the connectors and release the motorcycle's harness as shown.



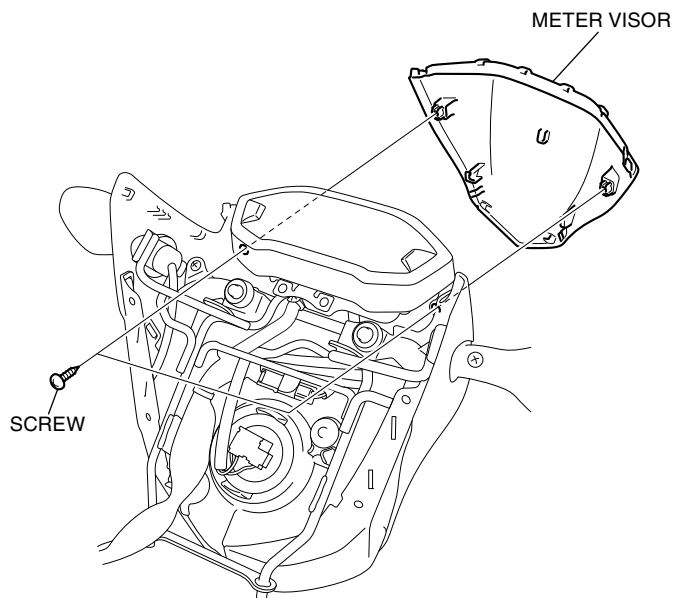
6. Refer to the Service Manual for the motorcycle, remove the headlight assembly.



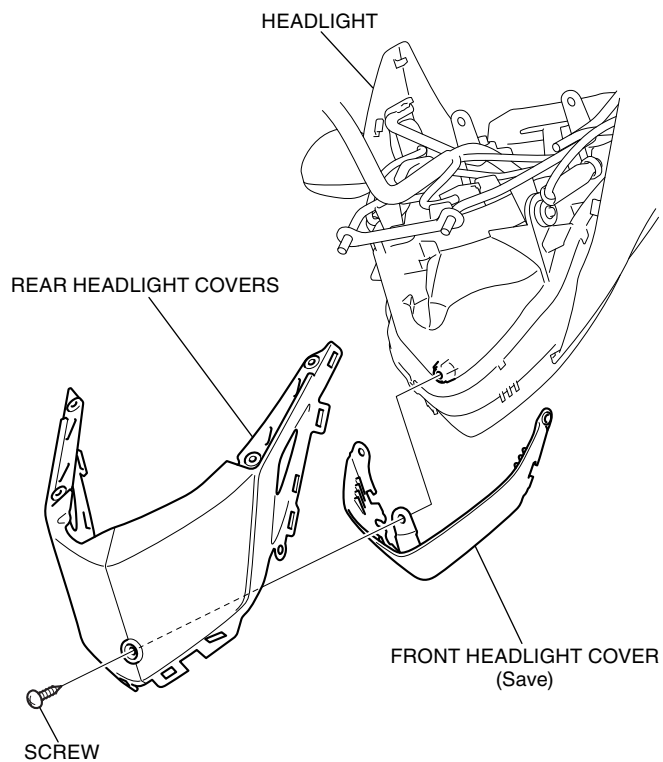
7. Refer to the Service Manual for the motorcycle, remove the meter cover.



8. Refer to the Service Manual for the motorcycle, remove the meter visor.



9. Remove the existing headlight covers as shown.



10. Install the accessory front headlight cover in the reverse order of removal.

11. Install the motorcycle's parts in the reverse order of removal.