

Honda Genuine Accessories

Applicable model
CB1000R

PASSENGER SEAT COWL

P/N: 08F74-MFN-110

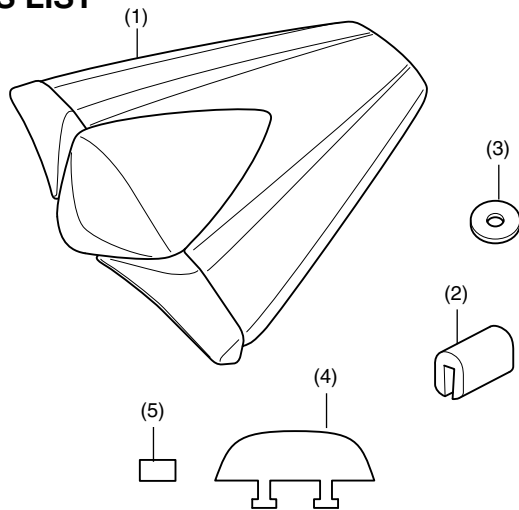
INSTALLATION INSTRUCTIONS

Publications No.
MII 13618

Issue Date
October 2011

Honda Dealer:
Please give a copy of these instructions to your customer.

PARTS LIST



No.	Description	Qty
(1)	Passenger seat cowl	1
(2)	Rubber pad	3
(3)	Washer (optional)	4
(4)	Protective tape (large)	1
(5)	Protective tape (small)	2

SUPPLIES REQUIRED

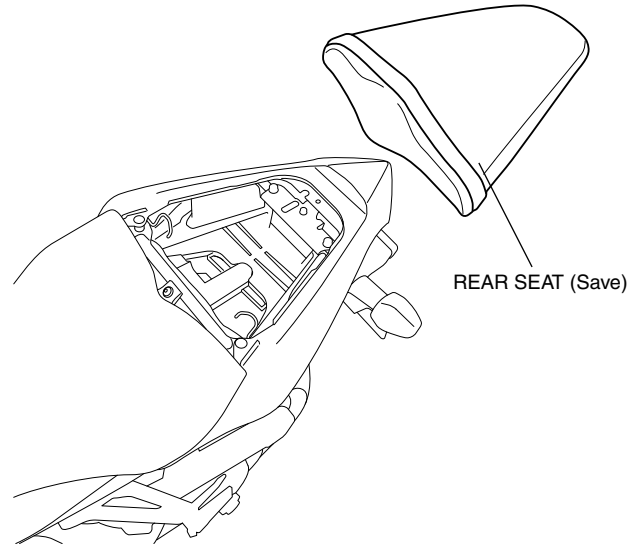
Isopropyl alcohol
Shop towel

USE AND CARE INFORMATION

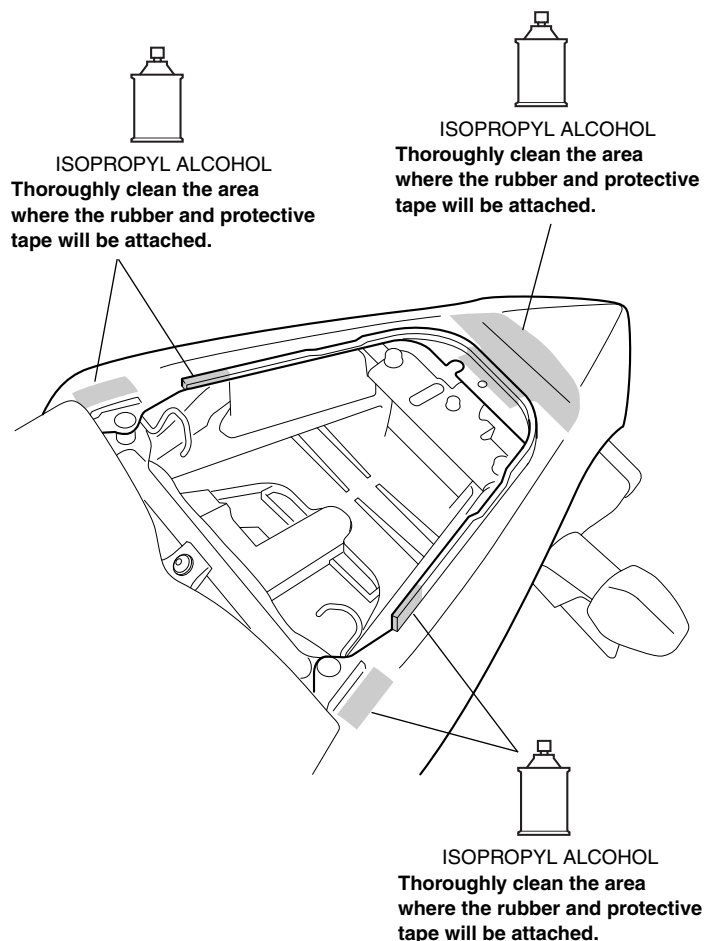
- Do not let anyone ride on the seat cowl and do not place luggage onto it.
- When this accessory becomes dirty, rinse it thoroughly with cool water to remove loose dirt, then wipe with a clean cloth or sponge. Do not use a brush to clean this accessory as it may scratch the surface.
- Never use petroleum solvents such as gasoline, thinner or benzine to clean this accessory. Also do not use acid or alkaline cleaners.

INSTALLATION

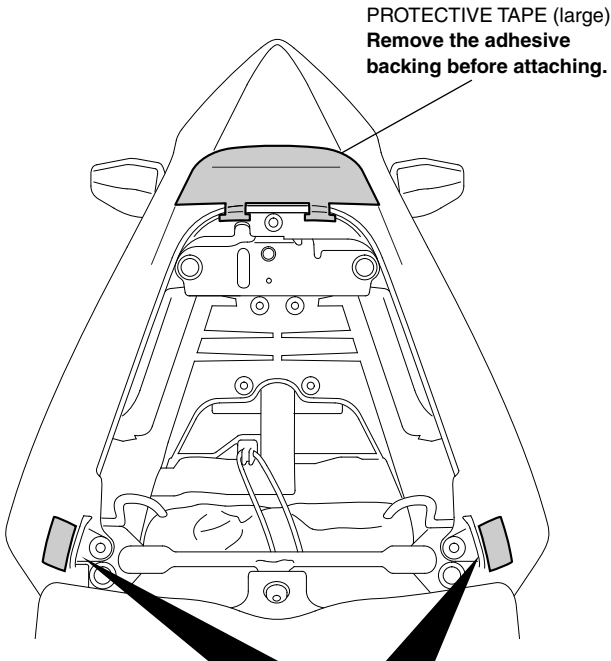
1. Unlock the passenger seat with the ignition key and remove it as shown.



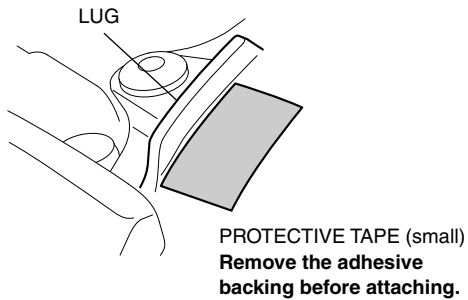
3. Clean the gray area as shown in the illustration thoroughly using isopropyl alcohol and a shop towel.



3. Attach the protective tape in the gray areas as shown.

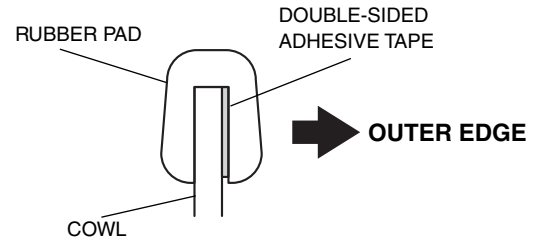


Attach the protective tape alongside the lug.

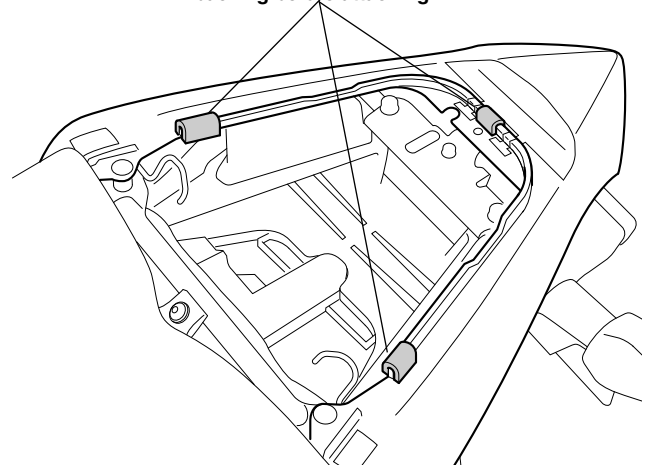


4. Attach the rubber pads as shown.

Attach the rubber pad with the double-sided adhesive tape on the outer edge of the cowl.

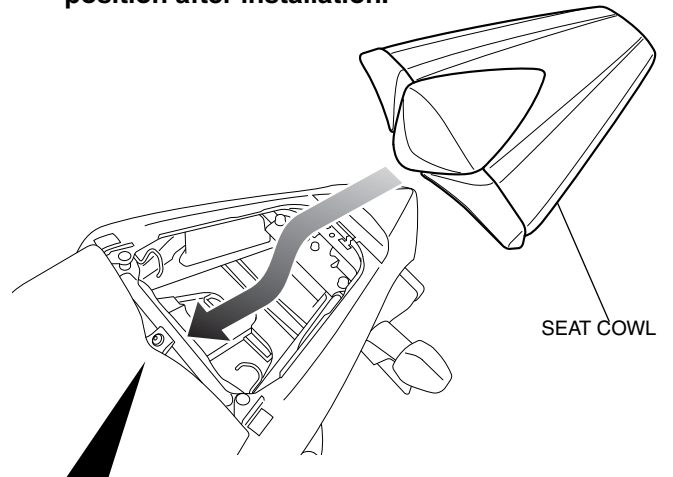


RUBBER PAD
Remove the adhesive backing before attaching.

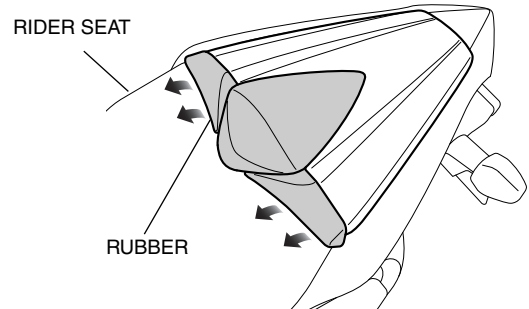


5. Install the seat cowl as shown.

- Be sure the seat cowl is locked securely in position after installation.



After installing the seat cowl, pull out the rubber lightly as shown if it is pinched against the rider seat.



Clearance Adjustments

- Check that the clearance is consistent between the passenger seat cowl and the rear cowl. If the clearance varies, adjust the mounting hook as shown below.



Check the clearance along this joint.

Remove the hook and install a washer(s) between the hook and seat cowl as necessary to achieve consistent clearance.

- **Do this on either hook as necessary.**

SCREW (Reuse)
TORQUE: 9 N·m
(0.9 kgf·m, 6.5 lbf·ft)

