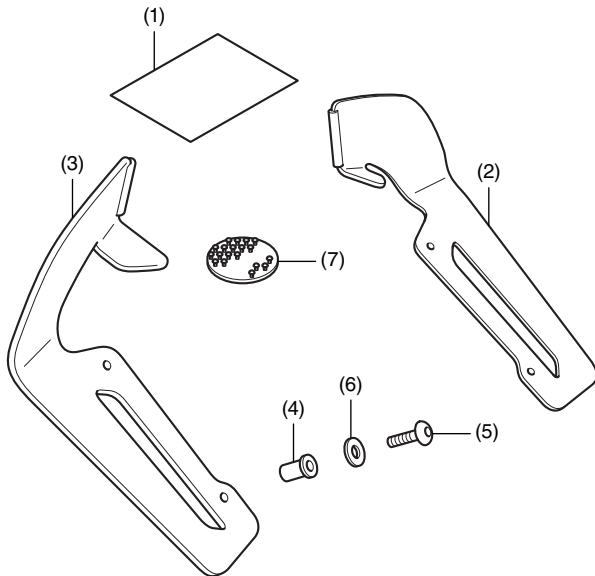


PARTS LIST



No.	Description	Qty
(1)	Installation Instruction URL	1
(2)	Right deflector	1
(3)	Left deflector	1
(4)	Well nut	4
(5)	6 mm socket bolt	4
(6)	Washer	4
(7)	Dual lock fastener	4

TOOLS AND SUPPLIES REQUIRED

Hex wrench (5 mm)
 Electric drill
 Drill bit (13 mm)
 Wood block
 Isopropyl alcohol
 Shop towel
 Torque wrench

TORQUE CHART

Tighten all screws, bolts, and nuts to their specified torque values. Refer to the Service Manual for the torque values of the removed parts.

Item	N-m	kgf-m	lbf-ft
6 mm socket bolt	0.9	0.09	0.7

INSTALLATION

▲ CAUTION

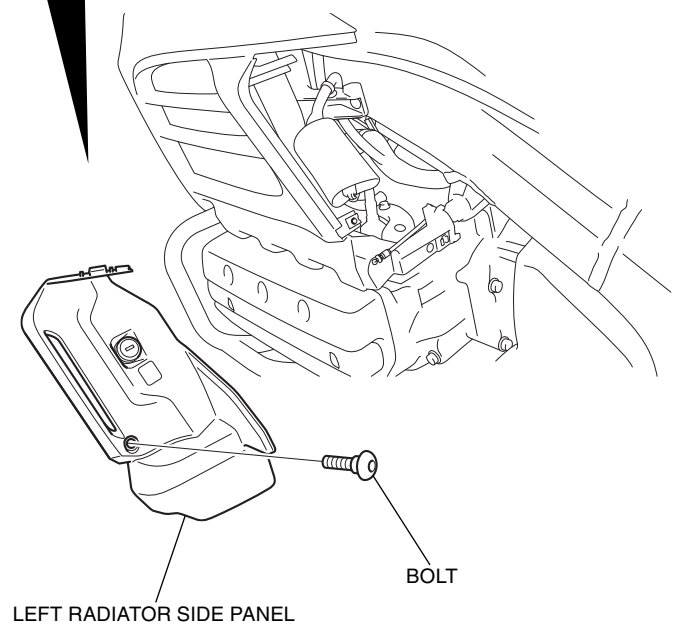
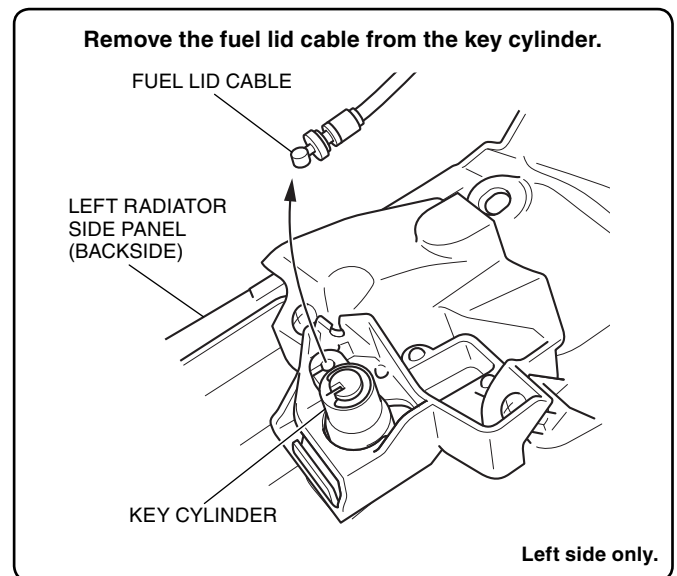
- To prevent burns, allow the engine, exhaust system, radiator, etc., to cool before installing the accessory.

NOTE:

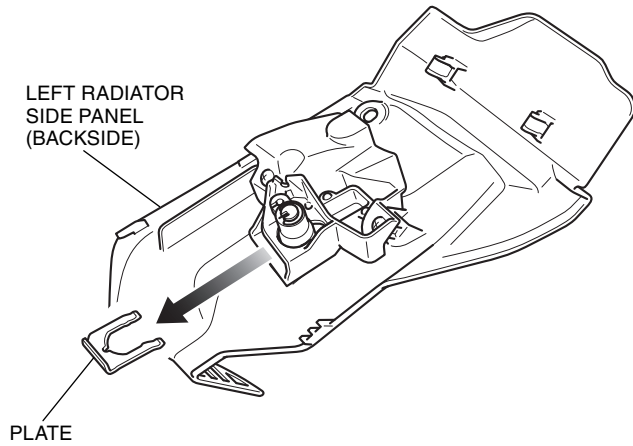
- Heat the bonding surfaces with a hair dryer if the ambient air temperature is below 70°F (21°C).
- The adhesive reaches full strength in 72 hours. Wait at least 24 hours before riding your motorcycle.
- Reinstall the removed parts on the motorcycle and make sure that wires and harnesses are not pinched.

- Remove the left radiator side panel as shown.
 - Repeat on the right side.**

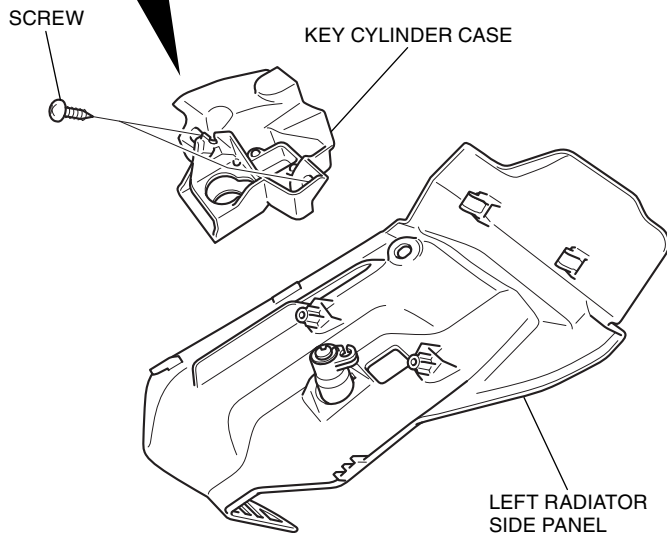
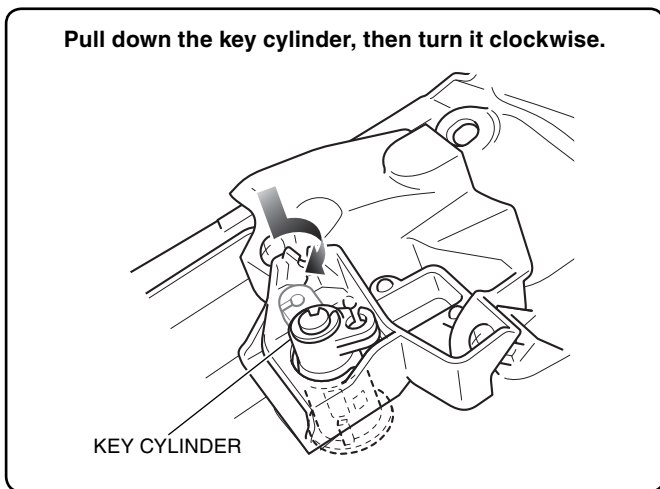
<Left side>



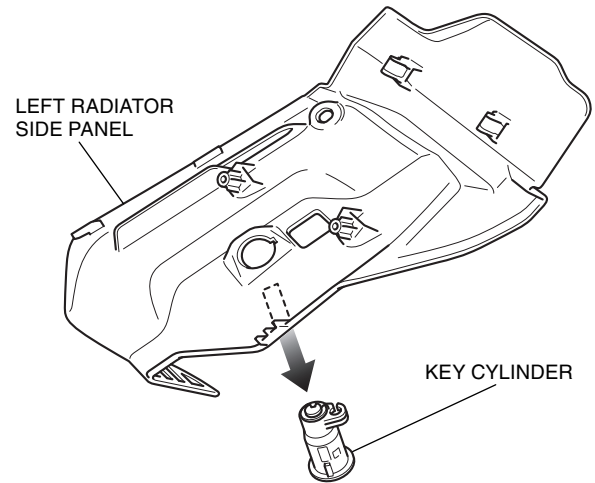
2. Remove the plate from the left radiator side panel as shown.



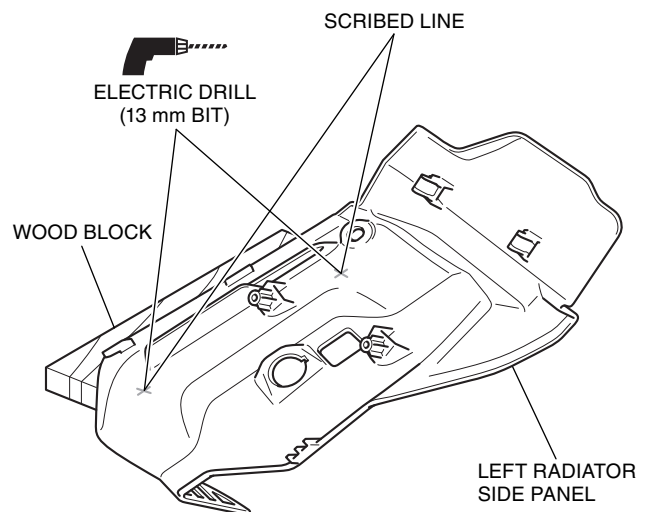
3. Remove the key cylinder case as shown.



4. Remove the key cylinder as shown.



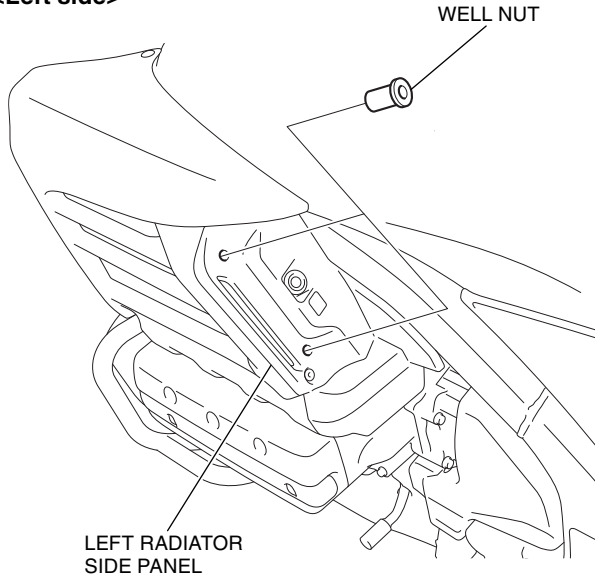
5. Drill a 13 mm hole at the indicated positions.
- Drill a hole, starting with a smaller drill bit.
 - Remove the any burrs from the edge of the hole.
 - Repeat on the right side.



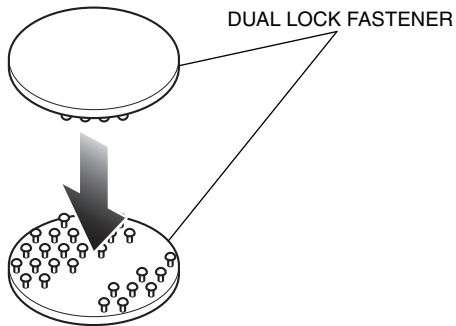
6. Install the key cylinder, key cylinder case, and plate to the left radiator side panel in the reverse order of removal.
7. Install the fuel lid cable and left radiator side panel in the reverse order of removal.
8. Install the right radiator side panel in the reverse order of removal.

9. Install the well nuts in the holes drilled in step 5 as shown.

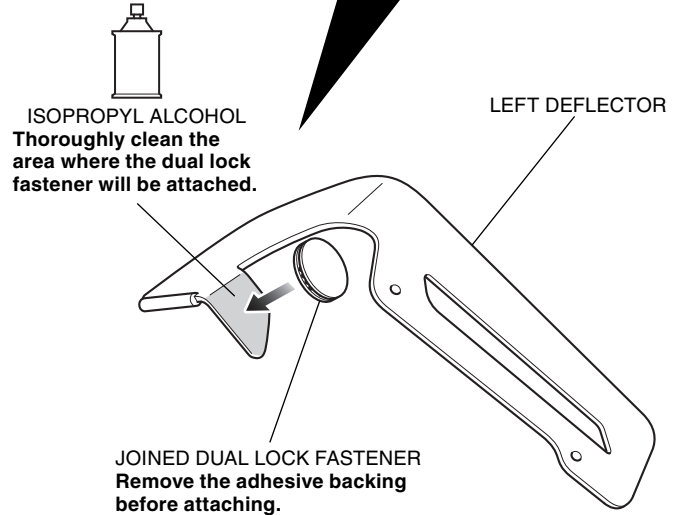
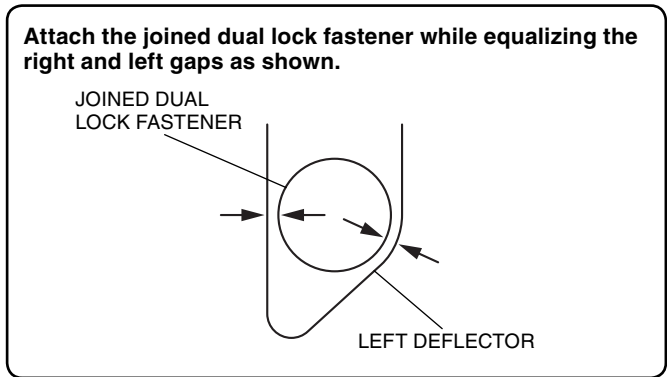
<Left side>



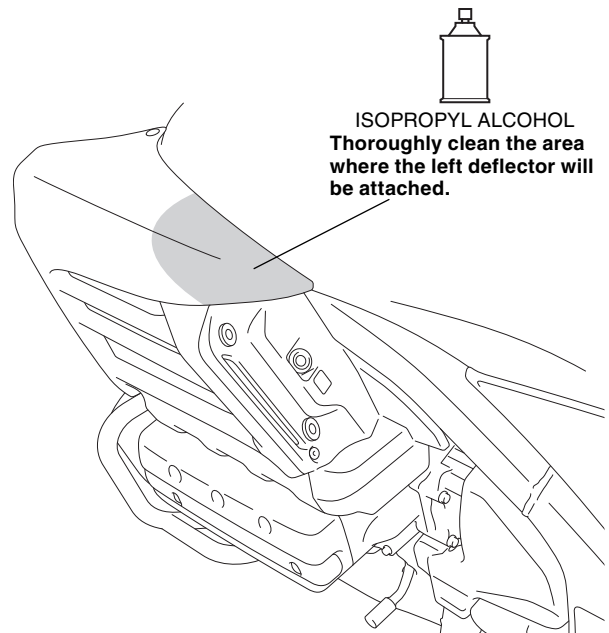
10. Join the dual lock fasteners together as shown.



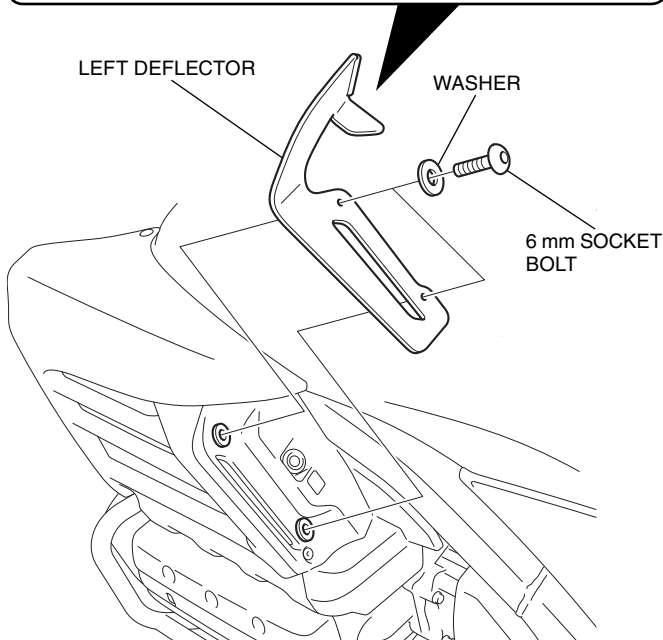
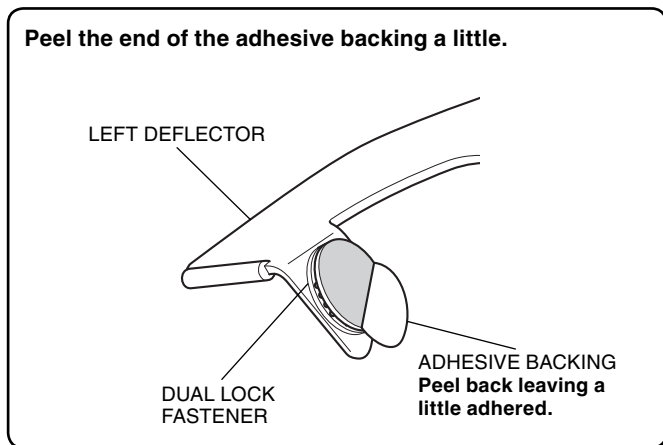
11. Attach the dual lock fasteners as shown.



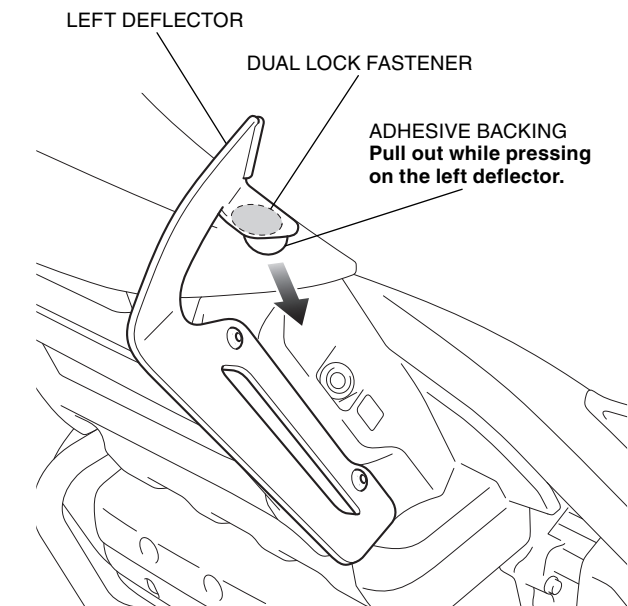
12. Clean the surface of the area shown using isopropyl alcohol.



13. Install the left deflector as shown.



14. Apply adequate pressure to the attached left deflector.



15. Repeat all steps except 2 through 4 and 6 through 7 on the right side.