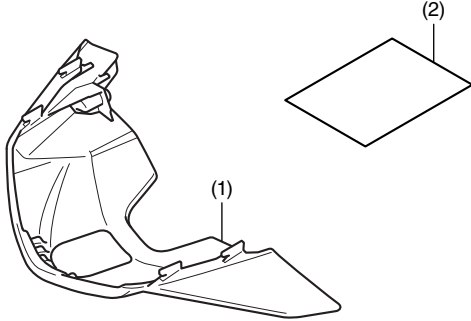


**PARTS LIST**



| No. | Description                   | Qty |
|-----|-------------------------------|-----|
| (1) | Headlight lower cover         | 1   |
| (2) | Installation instructions URL | 1   |

**TORQUE INFORMATION**

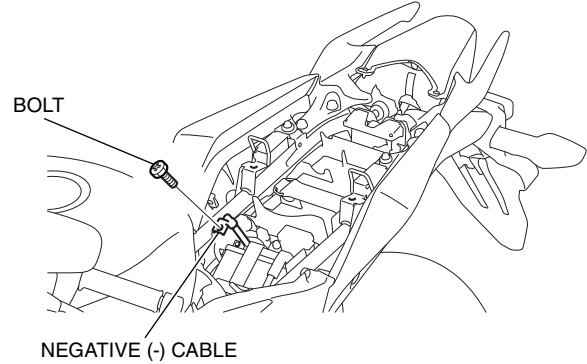
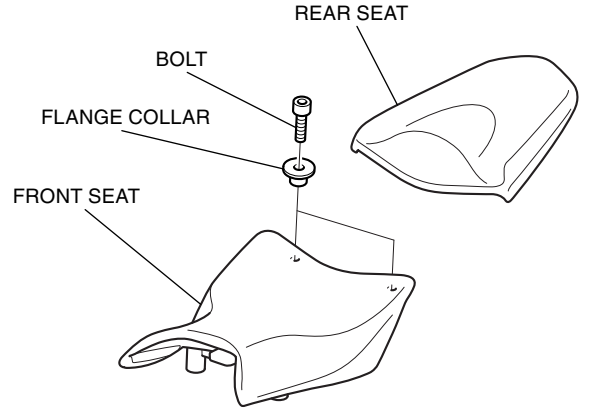
Refer to the Service Manual for the torque values of the removed parts.

**INSTALLATION**

**NOTE:**

- Take care not to damage the painted surfaces of the motorcycle.
- Reinstall the removed parts on the motorcycle and make sure that wires and harnesses are not pinched.
- Disconnect the negative (-) cable from the battery before installing this accessory.
- The clock memory will be erased when the battery is disconnected. After reconnecting the battery, refer to the Owner's Manual and reset the clock.

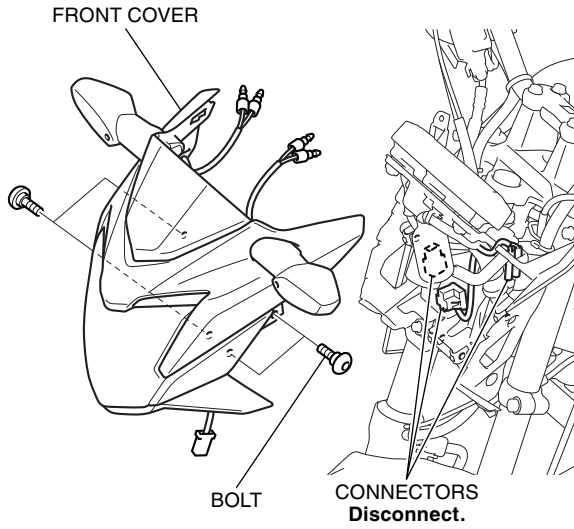
1. Refer to the Service Manual for the motorcycle, remove the motorcycle parts, and disconnect the negative (-) cable from the battery as shown.



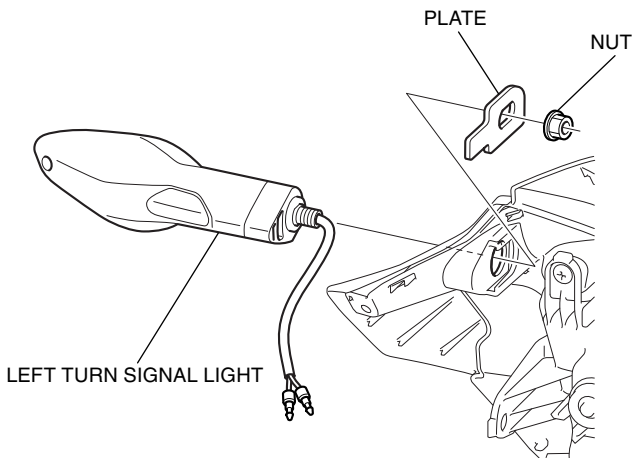
2. Refer to the Service Manual for the motorcycle and remove the motorcycle parts as shown.



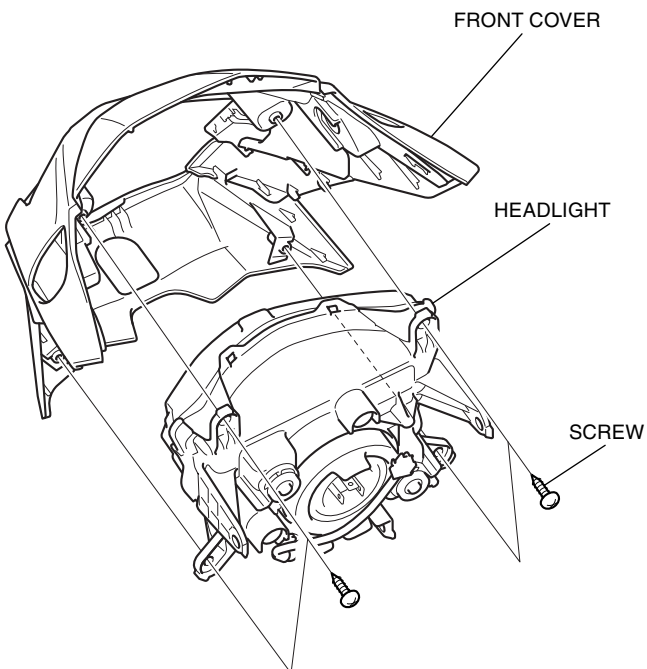
3. Refer to the Service Manual for the motorcycle and remove the motorcycle parts as shown.



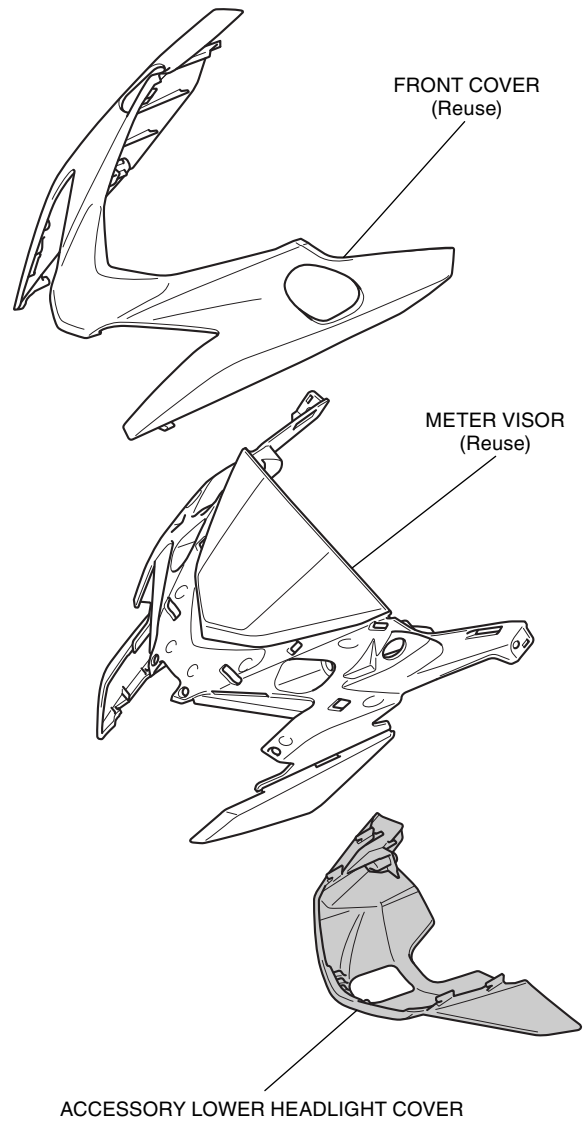
4. Remove the turn signal light as shown.
  - Repeat on the right side.



5. Remove the headlight as shown.



6. Replace the existing front headlight cover with the accessory cover as shown.



7. Install the front headlight cover in the reverse order of removal.
8. Install the removed parts in the reverse order of removal.