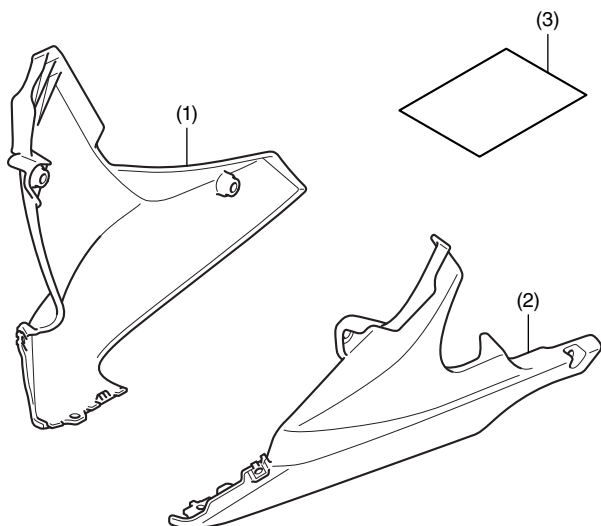


## PARTS LIST



No.	Description	Qty
(1)	Right under cowl	1
(2)	Left under cowl	1
(3)	Installation instructions URL	1

## TORQUE INFORMATION

Refer to the Service Manual for the torque values of the removed parts.

## INSTALLATION

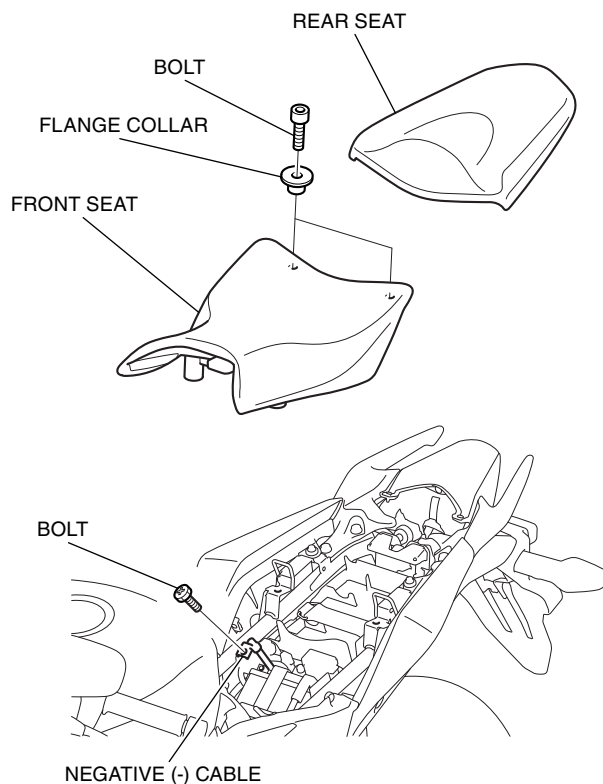
### ▲ CAUTION

- To prevent burns, allow the engine, exhaust system, radiator, etc., to cool before installing the accessory.

### NOTE:

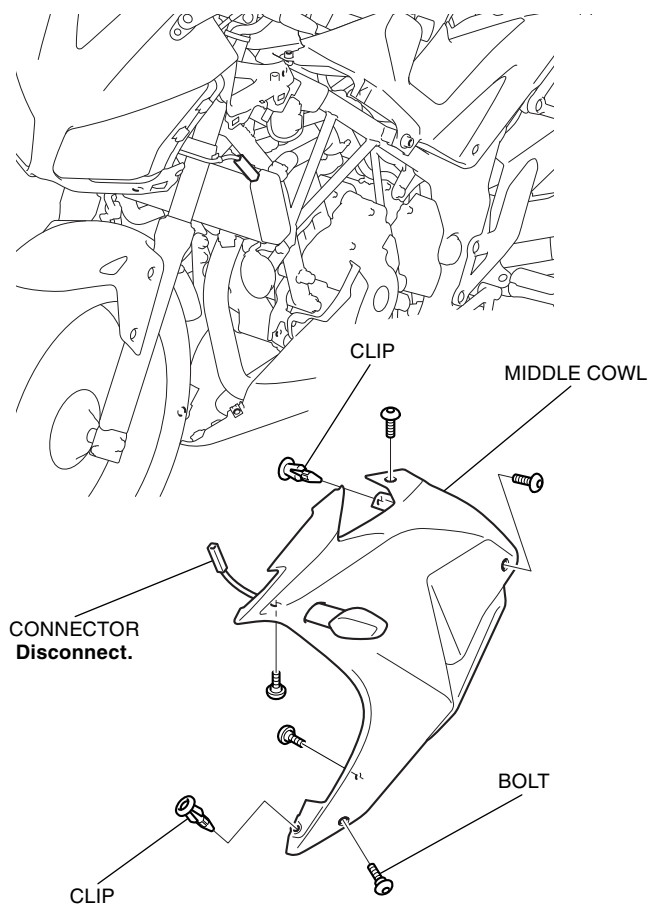
- Take care not to damage the painted surfaces of the motorcycle.
- Reinstall the removed parts on the motorcycle and make sure that wires and harnesses are not pinched.
- Disconnect the negative (-) cable from the battery before installing this accessory.
- The clock will be erased when the battery is disconnected. After reconnecting the battery, refer to the Owner's Manual and reset the clock.

- Refer to the Service Manual for the motorcycle, remove the motorcycle parts, and disconnect the negative (-) cable from the battery.

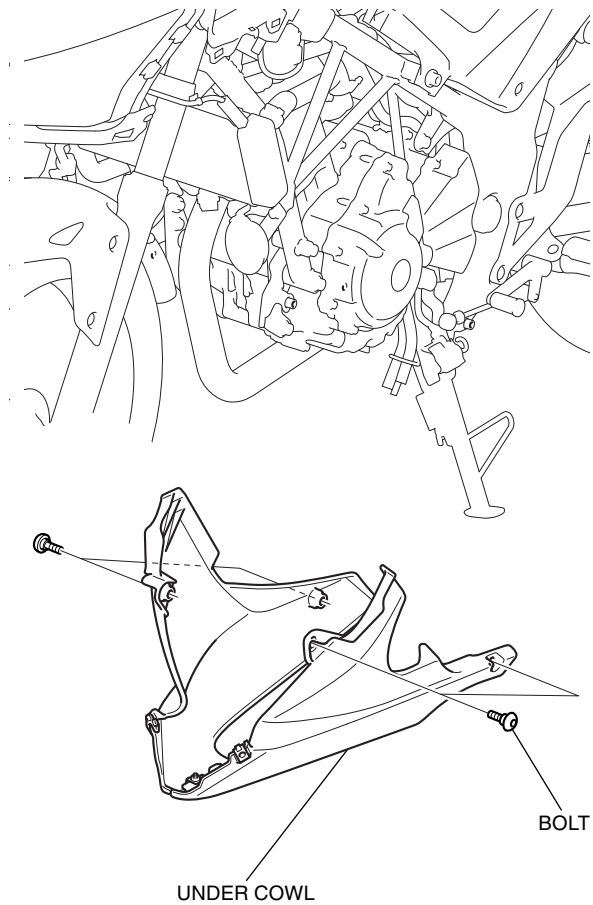


2. Refer to the Service Manual for the motorcycle, remove the motorcycle parts.

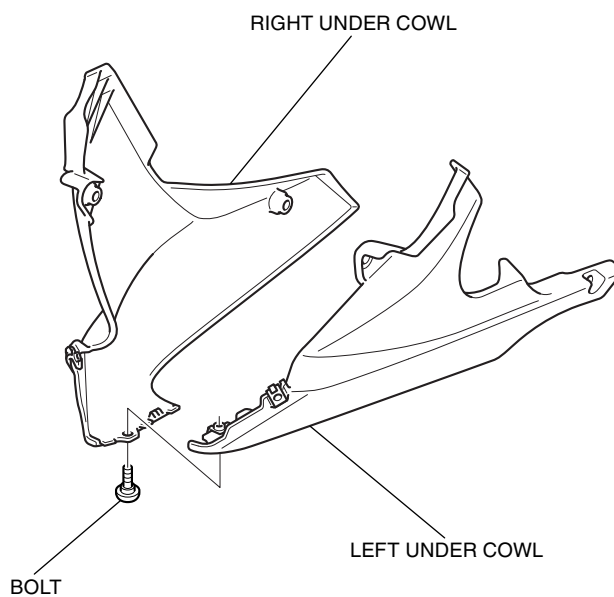
- Repeat on the right side.



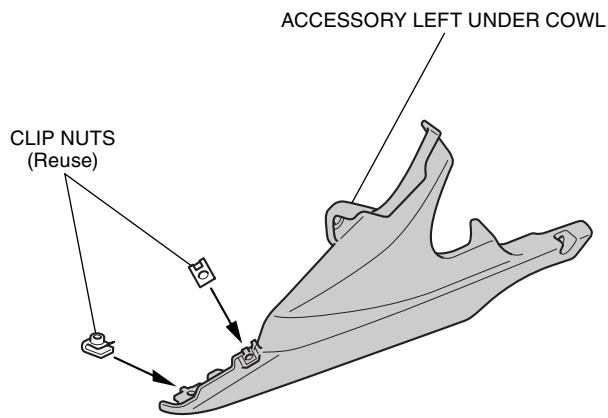
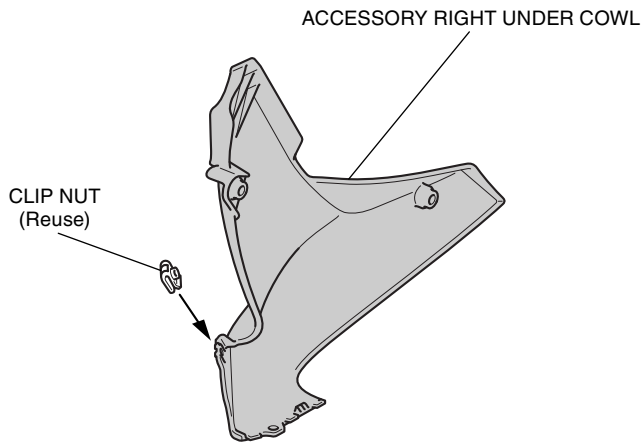
3. Refer to the Service Manual for the motorcycle, remove the motorcycle parts.



4. Disassemble the existing under cowl as shown.



5. Replace the existing under cowl with the accessory parts as shown.



6. Install the removed parts in the reverse order of removal.