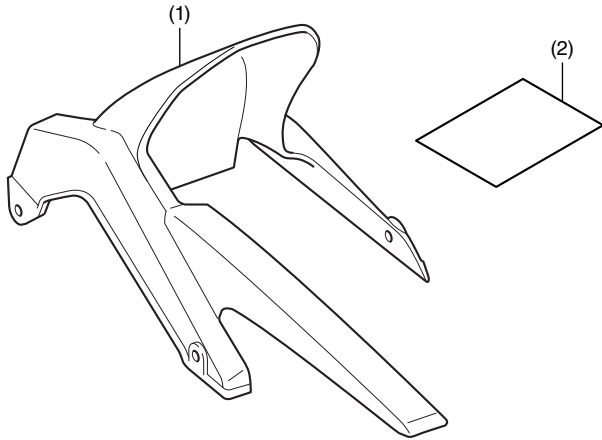


## PARTS LIST



No.	Description	Qty
(1)	Rear tire hugger/chain guard	1
(2)	Installation instructions URL	1

## TORQUE INFORMATION

Refer to the Service Manual for the torque values of the removed parts.

## INSTALLATION

### ▲ CAUTION

- To prevent burns, allow the engine, exhaust system, radiator, etc., to cool before installing the accessory.

### NOTE:

- Take care not to damage the painted surfaces of the motorcycle.

- Replace the existing drive chain case with the accessory rear tire hugger/chain guard as shown.

