



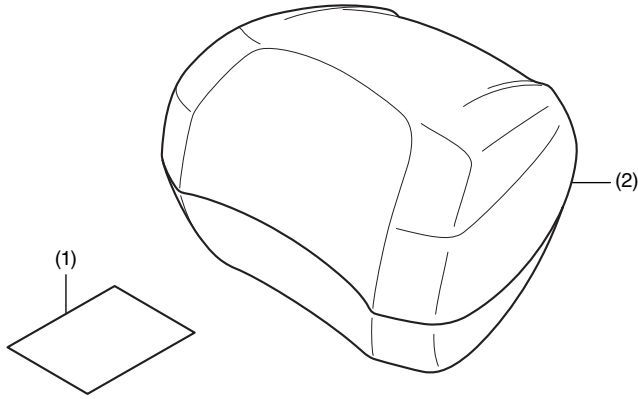
INSTALLATION INSTRUCTIONS

Accessory
REAR TRUNK (33 Liter)
 (Wave key type)
 P/N 08L71-MJM-A00ZA
 08L71-MJM-A00ZB

Application
COMMON

Publication No.
MII 14983
 Issue Date
June 2014

PARTS LIST

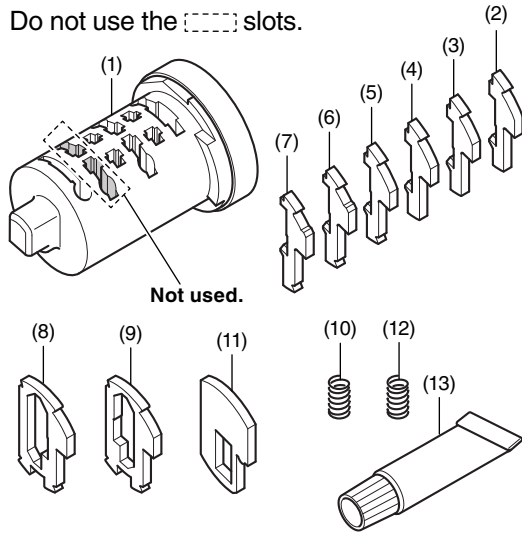


No.	Description	Qty
(1)	Installation Instruction URL	1
(2)	Rear trunk	1

1 KEY INNER CYLINDER (Wave key type)

Sold separately

- Do not use the [] slots.



No.	Description	Qty
(1)	Inner cylinder	1
(2)	No.1 tumbler	6
(3)	No.2 tumbler	6
(4)	No.3 tumbler	6
(5)	No.4 tumbler	6
(6)	No.5 tumbler	6
(7)	No.6 tumbler	6
(8)	Sub-lock tumbler A	1
(9)	Sub-lock tumbler B	1
(10)	Spring (Silver)	13
(11)	Stopper tumbler	2
(12)	Stopper spring (Black)	2
(13)	Grease	1

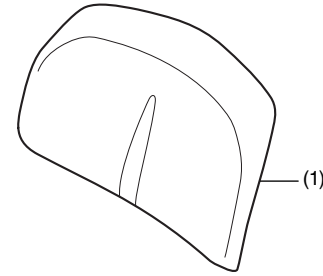
REAR TRUNK BASE / REAR CARRIER

Sold separately

- These are necessary depending on models, and the kit is different for each model.

BACKREST PAD

Sold separately



No.	Description	Qty
(1)	Backrest pad	1

SUPPLIES REQUIRED

- Electric drill
- 6 mm drill bit (15/64 in)
- Long nose pliers
- Isopropyl alcohol
- Shop towel

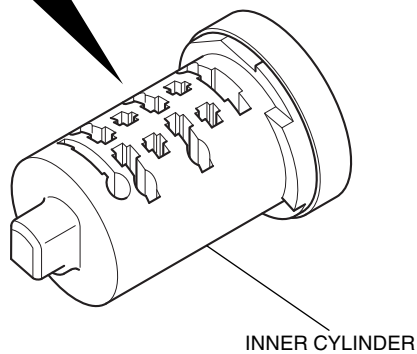
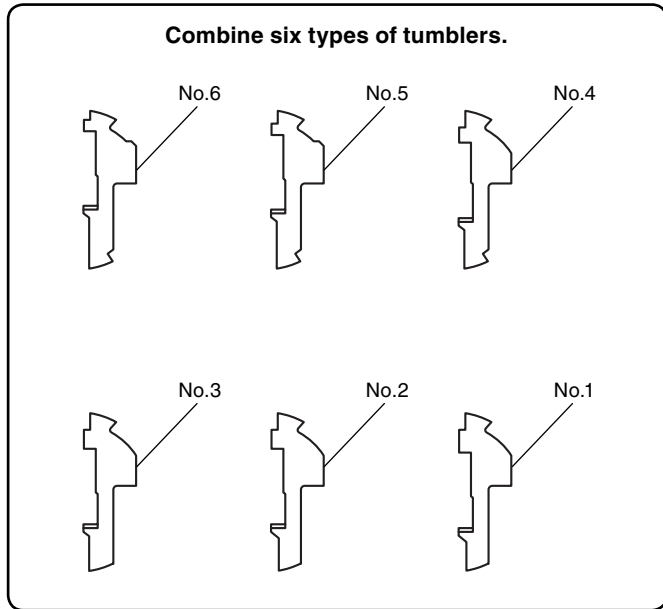
MAXIMUM LOADING CAPACITY

- The weight of the cargo must not exceed the following maximum loading capacity:

Maximum Loading Capacity	
Rear trunk	13.2 lb (6.0 kg)

< Notes regarding the key cylinder >

- This product is used to assemble a key cylinder matching the motorcycle key by combining six types of tumblers.
- When this key cylinder is installed in a box or similar equipment, the installed equipment can be operated with the motorcycle key.

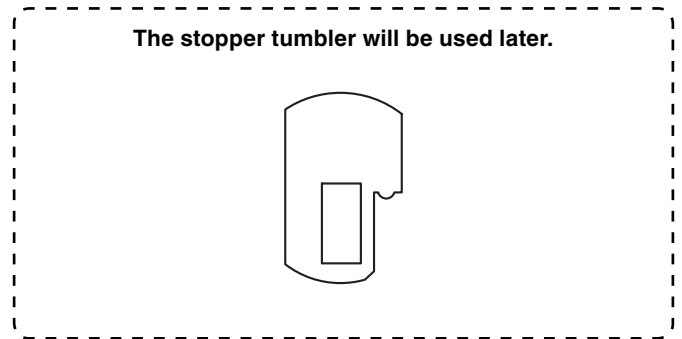
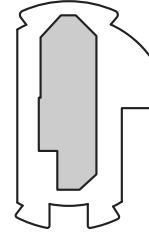
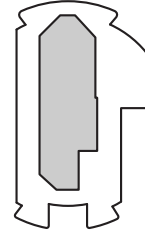


INSTALLATION

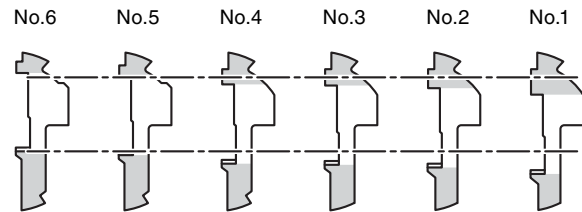
- The two sub-lock tumbler types shown are provided.
 - The (shaded) area has a different slot for each of the two sub-lock tumbler types.
 - As the tumblers are small, keep them in the bag until they are used.

SUB-LOCK TUMBLER A

SUB-LOCK TUMBLER B

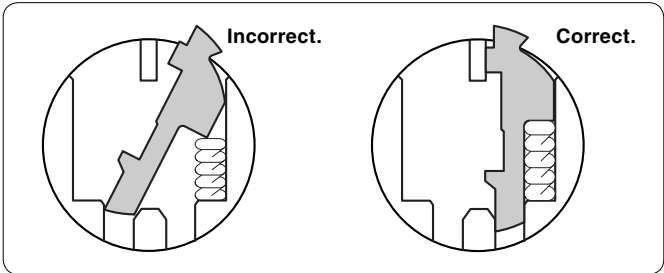
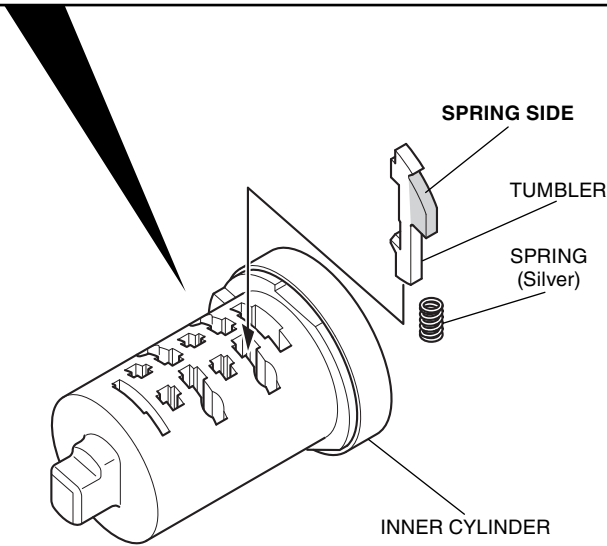
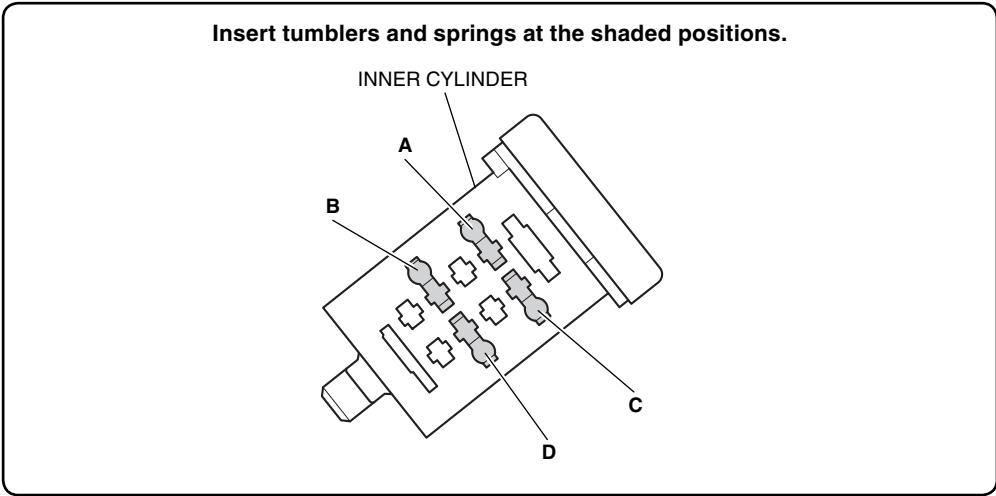


- The six tumbler types shown are provided.
 - The (shaded) area has a different width for each of the six tumbler types.
 - As the tumblers are small, keep them in the bag until they are used.



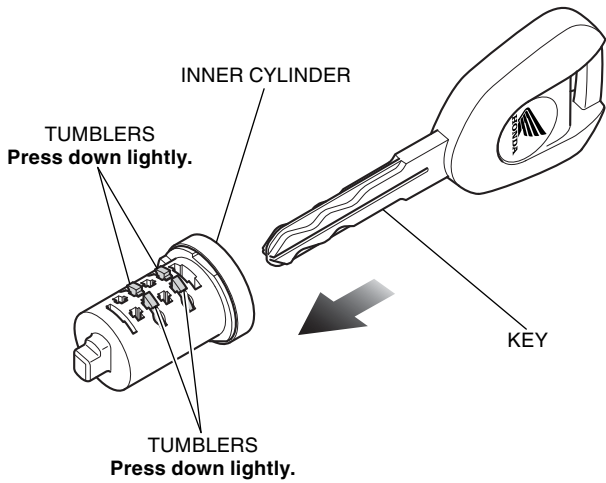
3. Apply a small amount of grease to four springs.
 Install the tumblers and springs (silver) as shown.

- **First install four No.1 tumblers.**
- **Note the installed tumbler in the chart below.**

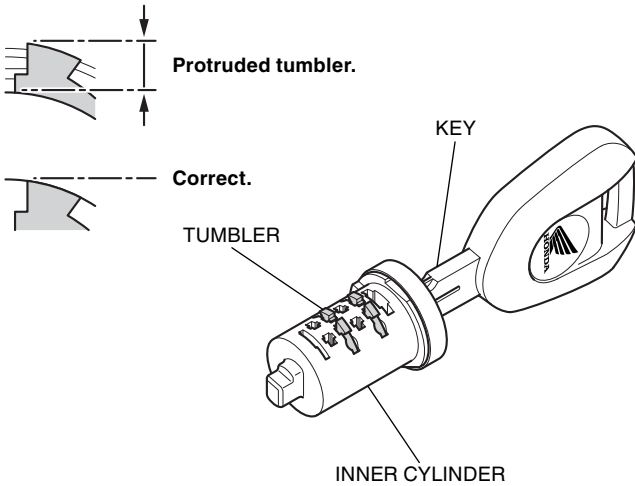


	Position A	Position B	Position C	Position D
No.1 tumbler				
No.2 tumbler				
No.3 tumbler				
No.4 tumbler				
No.5 tumbler				
No.6 tumbler				

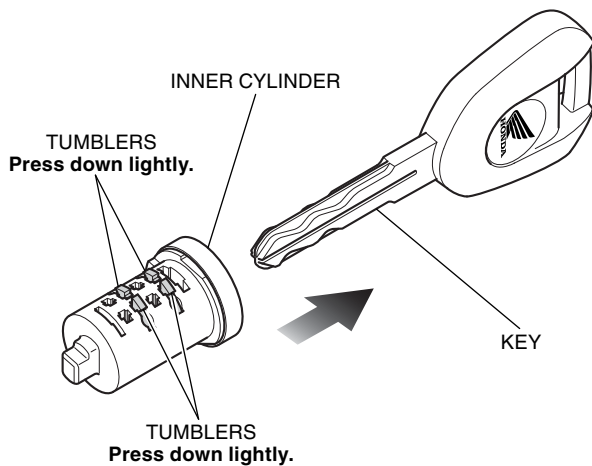
4. Insert the key as shown.
 - **Lightly press down on the tumblers from above, then insert the key.**



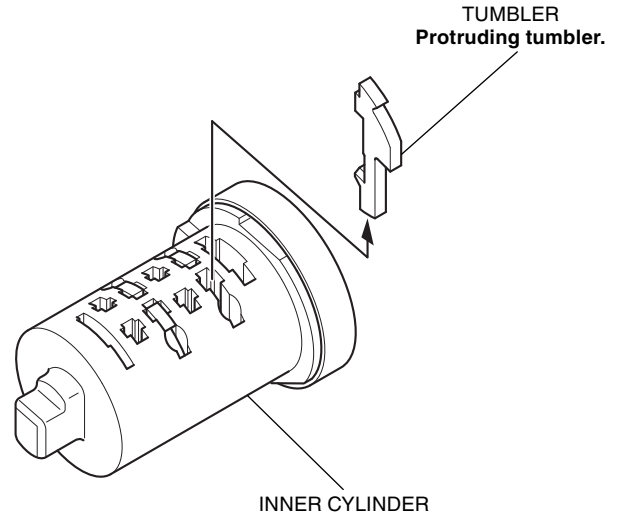
5. Confirm that some tumblers are protruding. Mark the positions of the protruded tumblers.
 - **The positions where tumblers protrude and their height differ according to the key.**



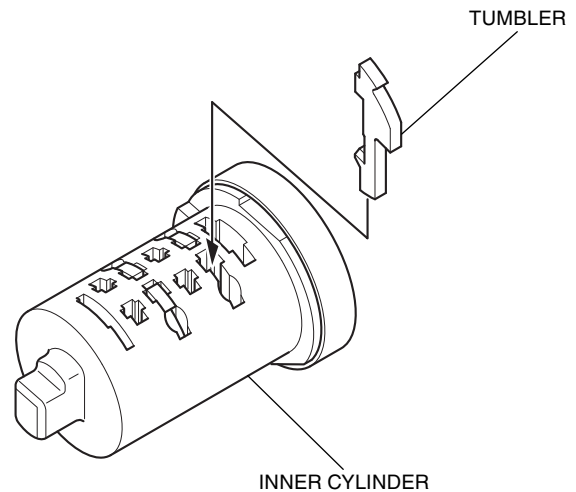
6. Press down lightly on the tumbler and pull the key out.
 - **The tumbler spring may jump out when the tumbler is not pressed down lightly.**



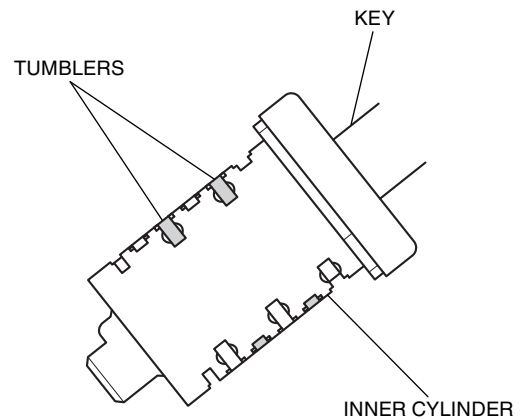
7. Pull out the protruding tumbler(s).
 - **Leave the spring(s) installed.**



8. Insert a different tumbler(s) at the marked positions.
 - **Start with No.2 tumblers and continue sequentially**

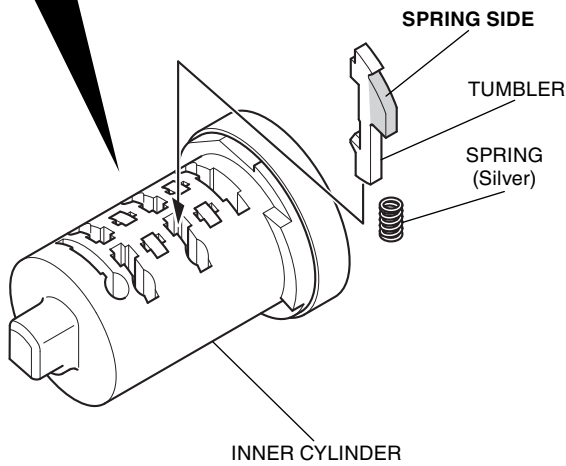
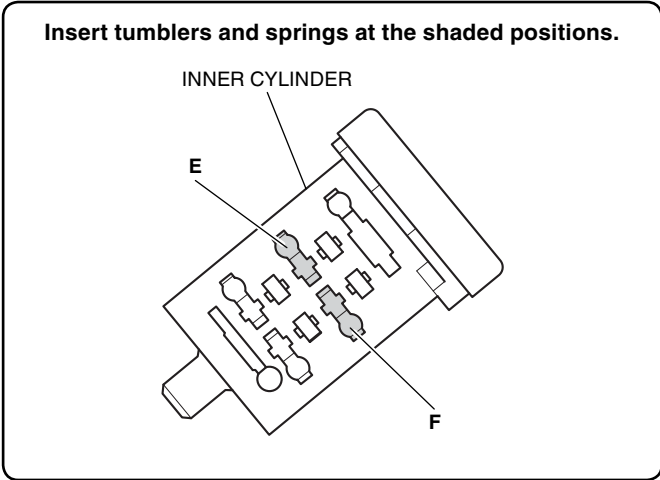


9. Repeat Steps 4 through 8, inserting different tumblers at the marked positions until no tumblers are protruding.
 - **Lightly press down on the tumblers from above, then insert the key.**



10. Apply a small amount of grease to four springs.
Install the tumblers and springs (silver) to the opposite side inner cylinder as shown.

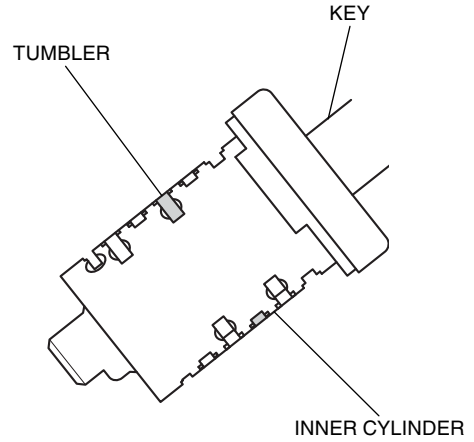
- **First install two No.1 tumblers.**



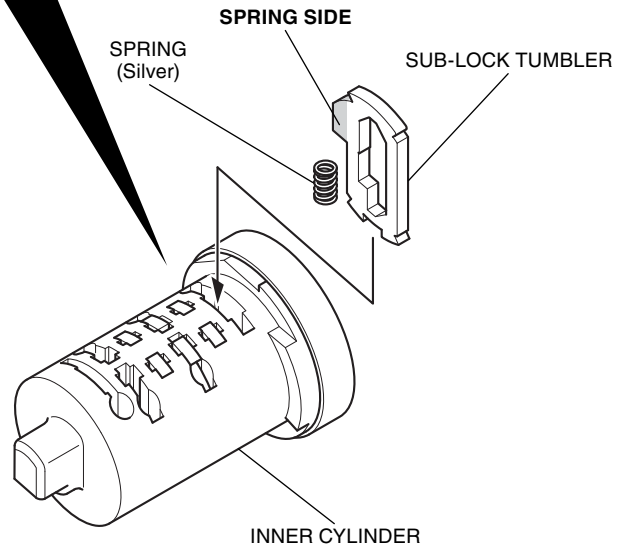
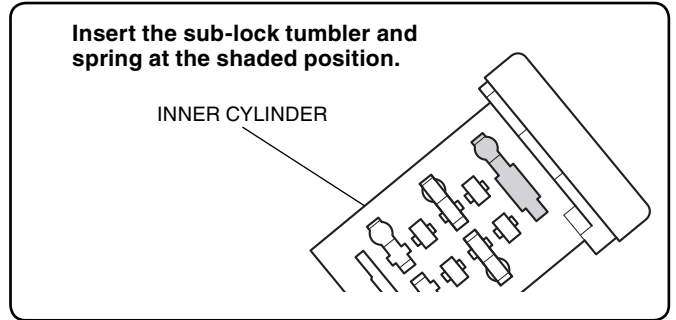
- **Note the installed tumbler in the chart below.**

	Position E	Position F
No.1 tumbler		
No.2 tumbler		
No.3 tumbler		
No.4 tumbler		
No.5 tumbler		
No.6 tumbler		

11. Use Steps 4 through 8 to assemble the opposite side inner cylinder in the same manner.



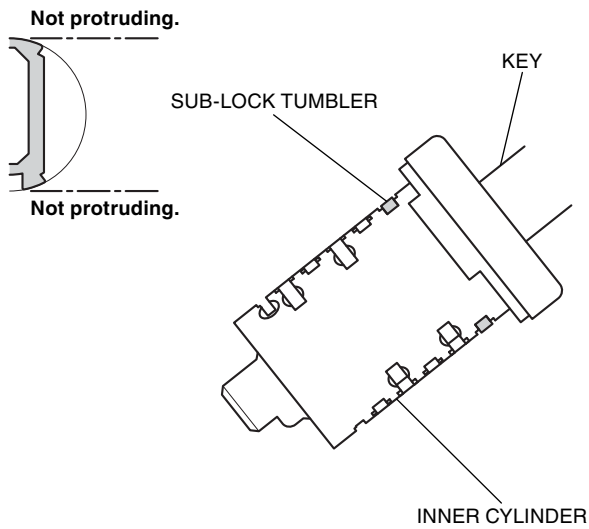
12. Install the sub-lock tumbler as shown.



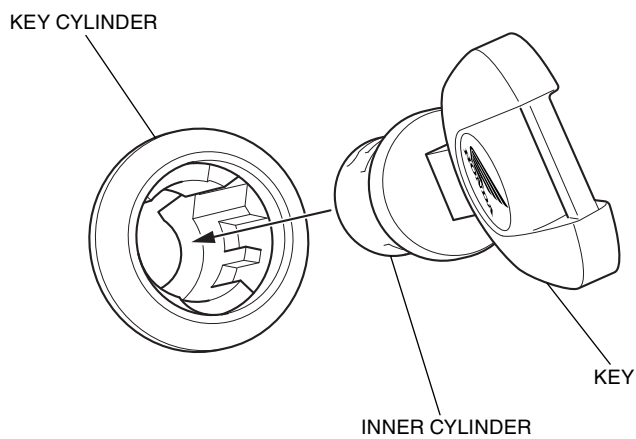
- **Note the installed tumbler in the chart below.**

Sub-lock tumbler A	
Sub-lock tumbler B	

13. Confirm that sub-lock tumbler is not protruding.
- **If the tumbler is protruding, change to another sub-lock tumbler and recheck.**

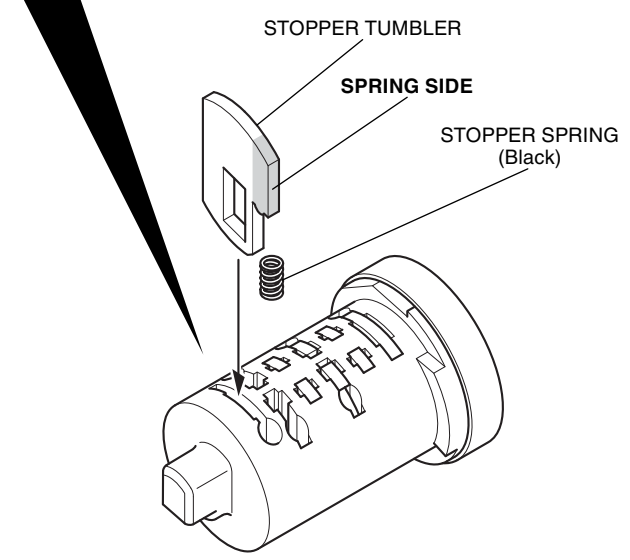
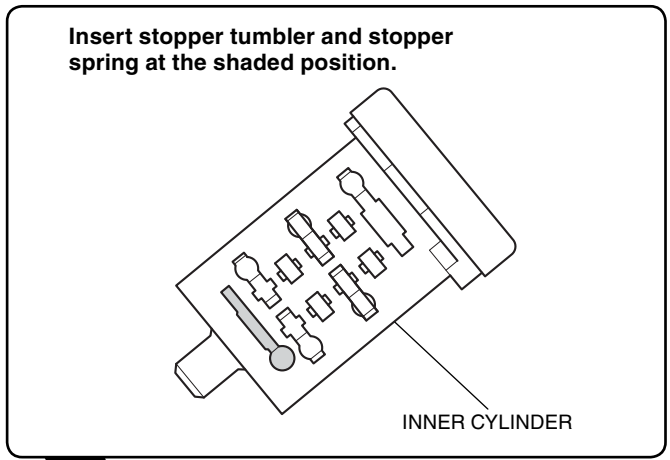


14. Insert the assembled inner cylinder into the key cylinder as shown.
- **Confirm the inner cylinder turns clockwise smoothly.**

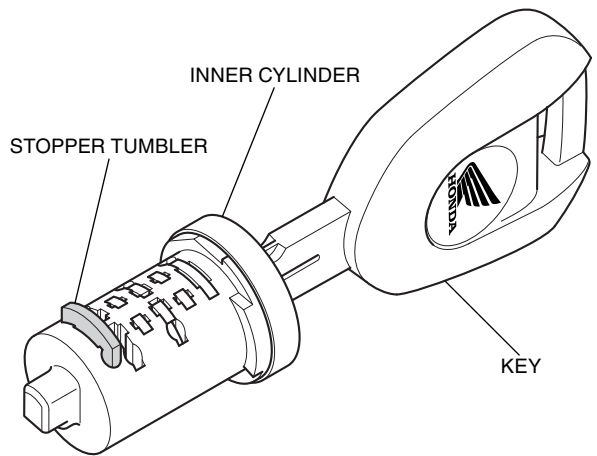


15. Pull out the inner cylinder.
16. Press down lightly on the tumblers and pull out the key.

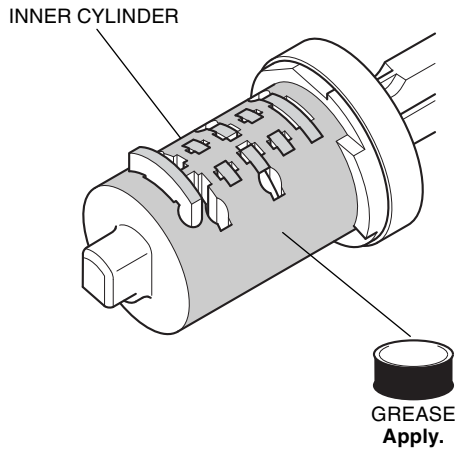
17. Install the stopper tumbler and stopper spring (black) as shown.



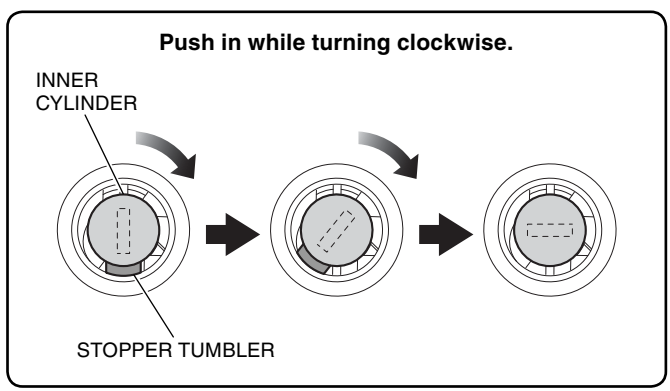
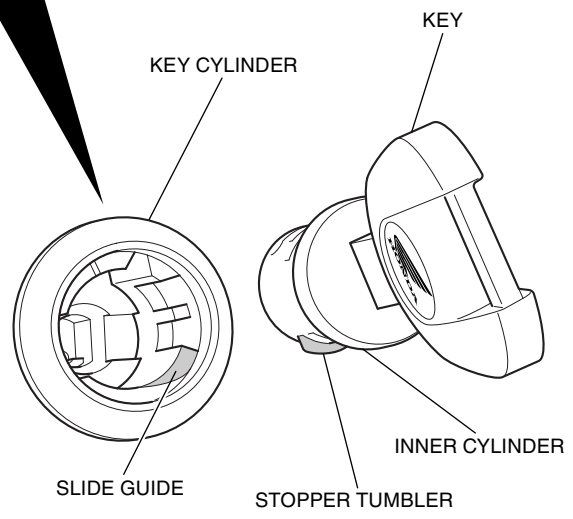
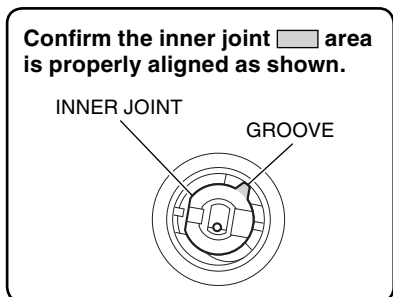
18. Insert the key as shown.
- **Lightly press down on the tumblers from above, then insert the key.**
 - **Confirm that the stopper tumbler jumps out.**



19. Apply grease to the shaded areas as shown.
- Apply to the tumbler and to the outer circumference of the inner cylinder.
 - Only use the supplied grease.



20. Install the inner cylinder by sliding the stopper tumbler along the slide guide while rotating it.
- If the inner cylinder cannot be inserted, again confirm that no tumblers other than the stopper tumbler have jumped out.



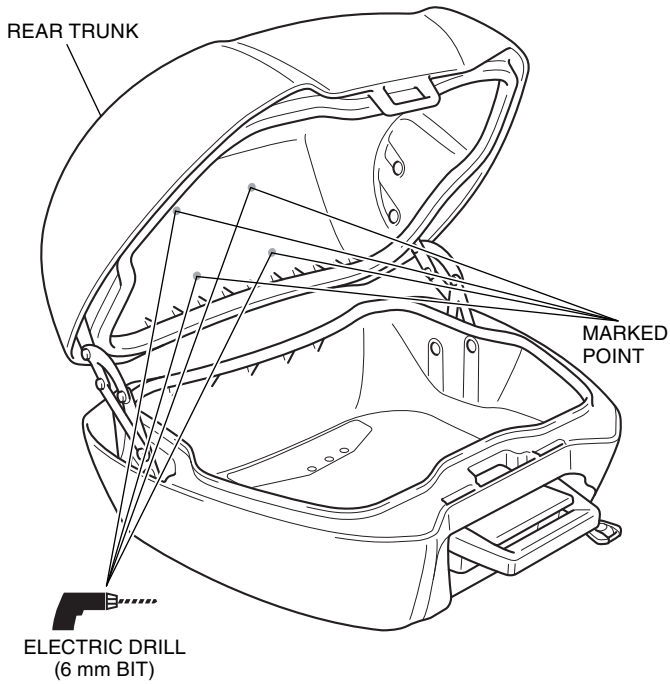
21. Pull out the key and check that the inner cylinder does not come out.

How to Install the Backrest pad

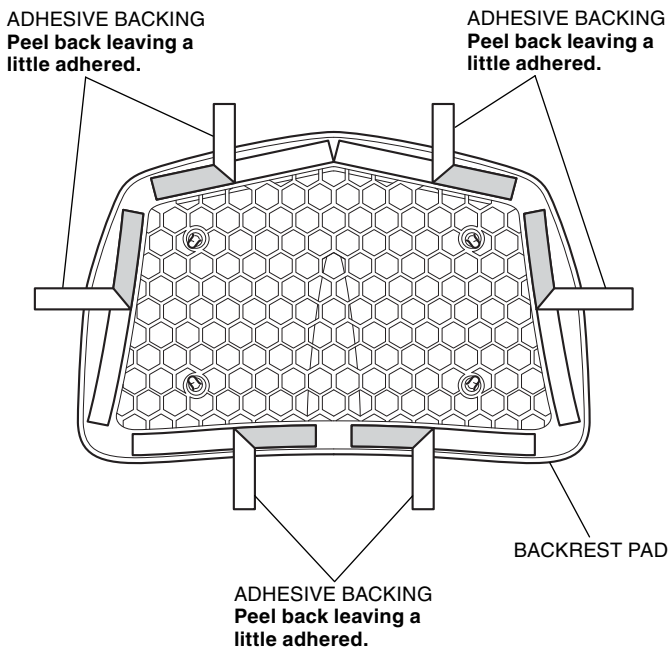
NOTE:

- Heat the bonding surfaces with a hair dryer if the ambient air temperature is below 70°F (21°C).
- The adhesive reaches full strength in 72 hours. Wait at least 24 hours before riding your motorcycle.

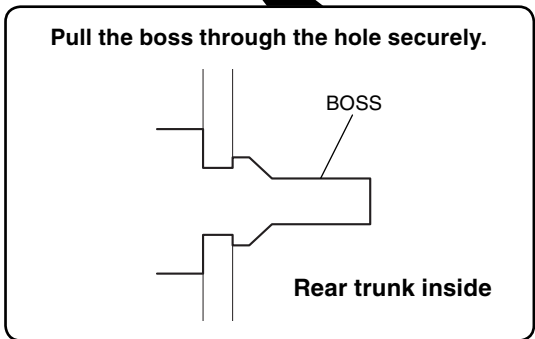
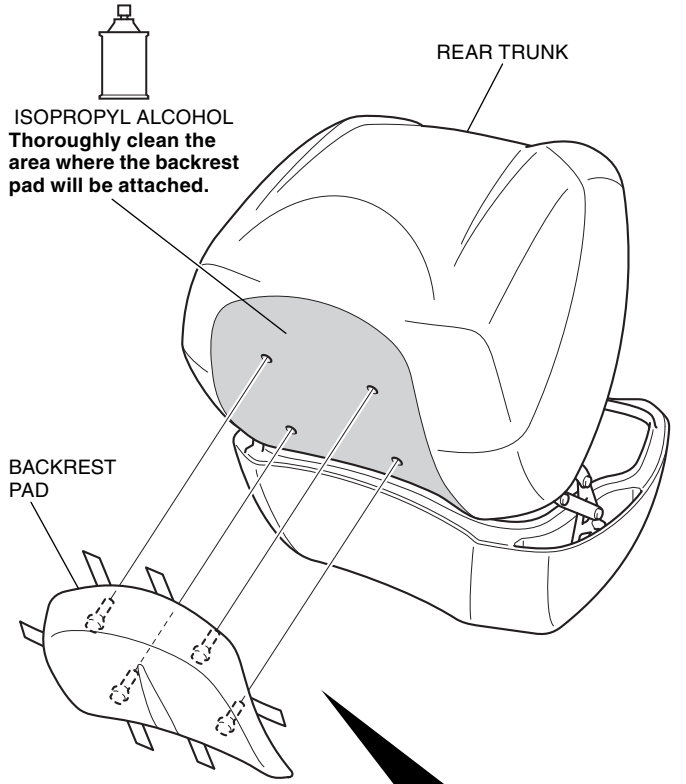
1. Drill at the marked point using an electric drill as shown.
 - **Remove any burrs from the edge of the hole.**



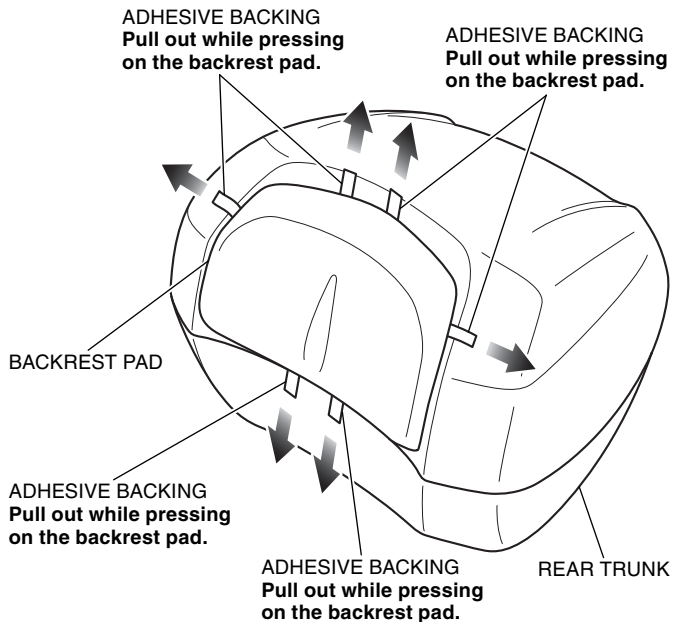
2. Peel back the adhesive backing on the rear of the backrest pad as shown.



3. Clean the indicated area with isopropyl alcohol, then attach the backrest pad.

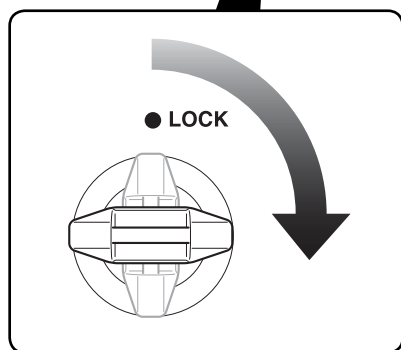
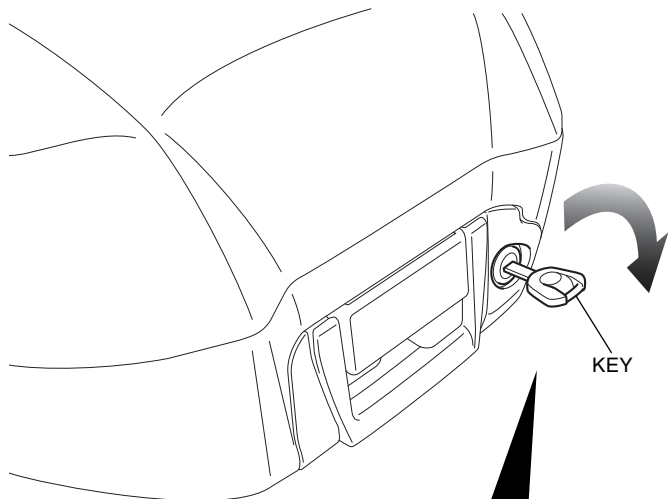


4. Pull out the adhesive backing as shown while applying pressure on the backrest pad.

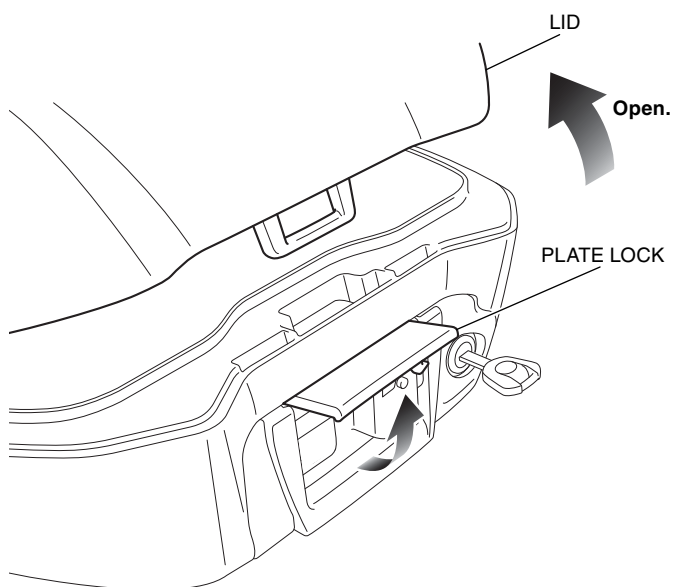


How to Open the Rear trunk

1. Release the lock by turning the key clockwise.

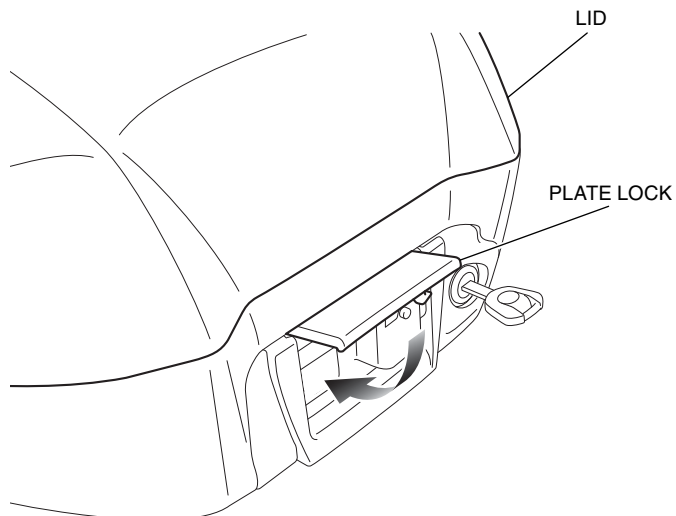


2. Raise the plate lock and open the lid.

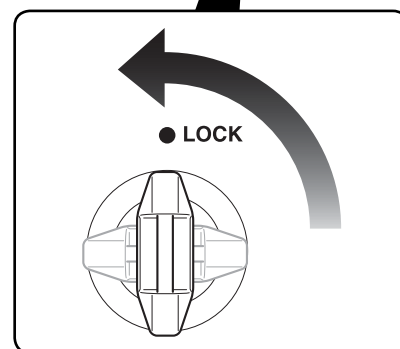
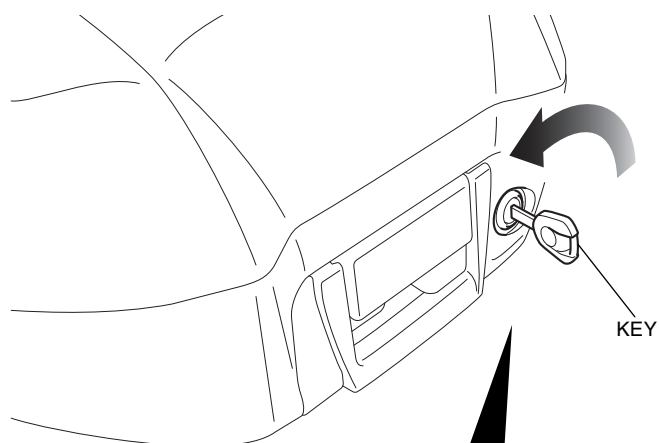


How to Close the Rear trunk

1. Close the lid and lower the plate lock.



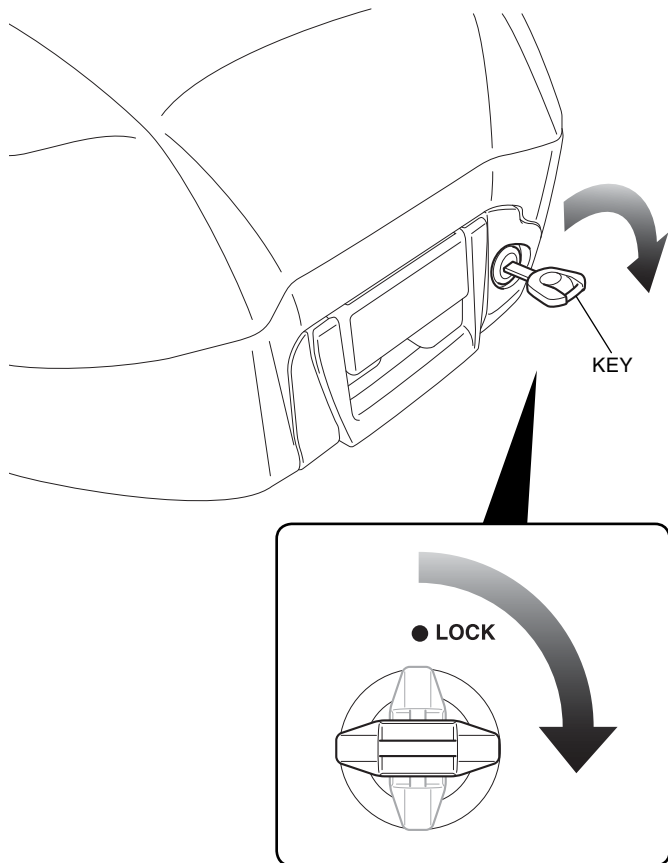
2. Turn the key counter-clockwise as shown to lock.



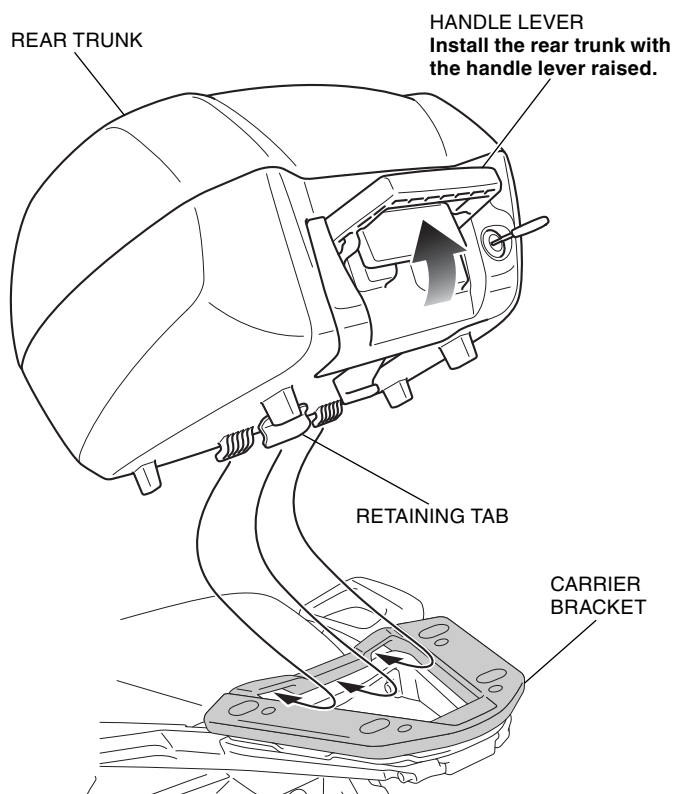
3. Remove the key.
 - Make sure the plate lock and lid are locked down securely.

How to Install the Rear trunk

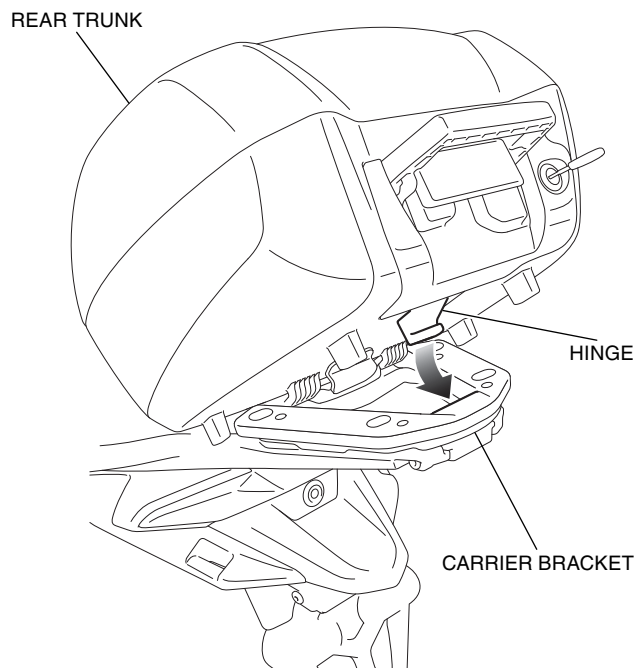
1. Release the lock by turning the key clockwise.



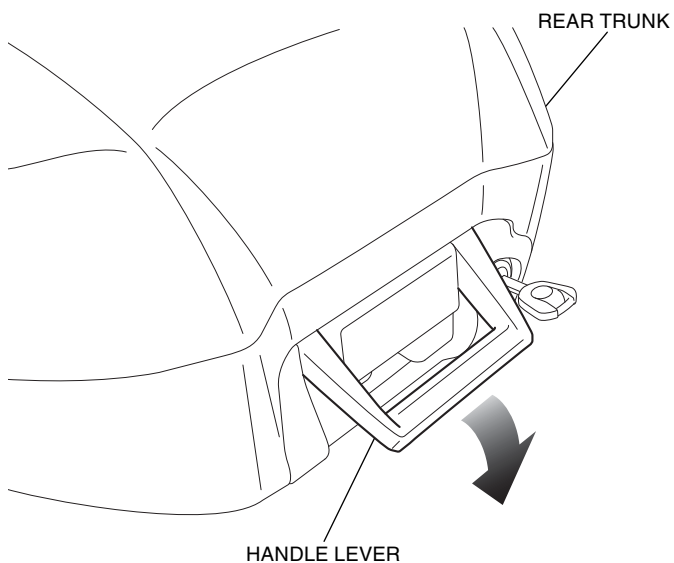
2. Insert the retaining tabs of the rear trunk into the carrier bracket as shown.



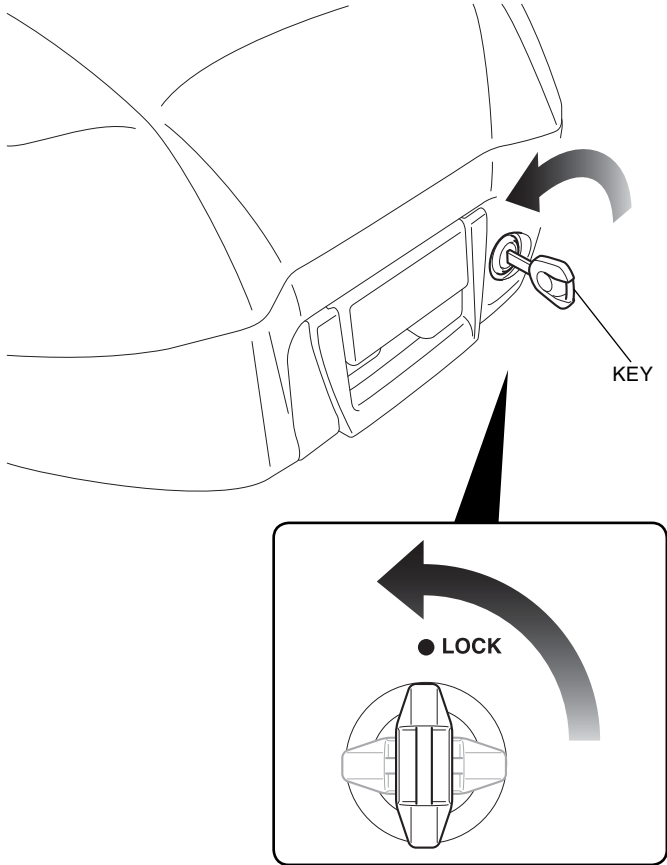
3. Position the hinge of the lock assembly on the carrier bracket as shown.



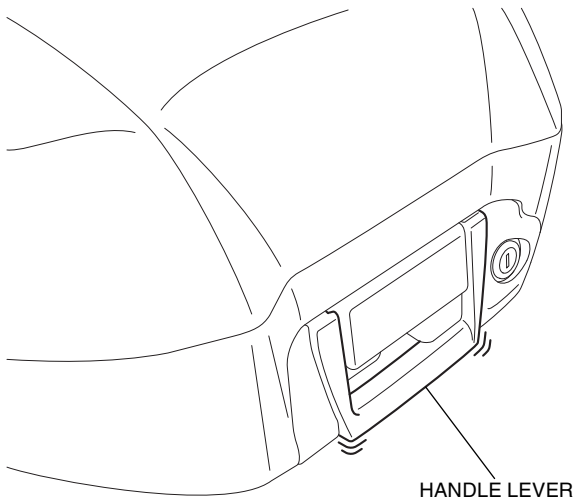
4. Lower the handle lever as shown.



5. Lock the rear trunk by turning the key counter-clockwise as shown.



6. Remove the key. Be sure that handle lever cannot be released and the rear trunk is installed securely.
 - **The rear trunk can come off while riding if it is not mounted securely.**



How to Remove the Rear trunk

1. Remove the rear trunk in the reverse order of installation.