



INSTALLATION INSTRUCTIONS

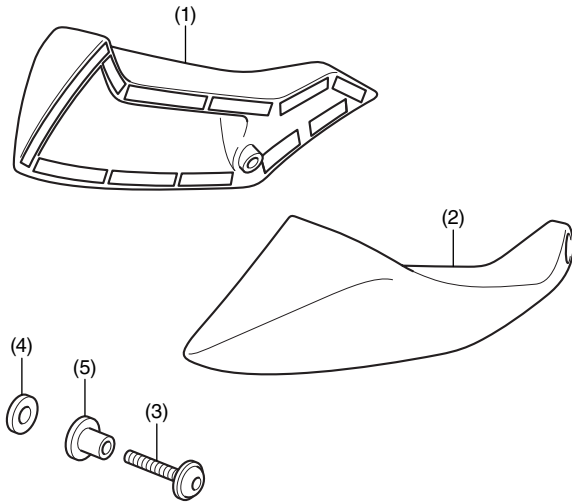
Accessory
LOWER COWL DEFLECTOR
 P/N 08R71-MGS-A30

Application
NC700X/XD

Publication No.
MII 13973
 Issue Date
January 2012

Honda Dealer: Please give a copy of these instructions to your customer.

PARTS LIST



No.	Description	Qty
(1)	Right lower cowl deflector	1
(2)	Left lower cowl deflector	1
(3)	5 mm socket bolt	2
(4)	Collar	2
(5)	Flange collar	2

TOOL AND SUPPLIES REQUIRED

Hex wrench (3 mm)
 Isopropyl alcohol
 Shop towel
 Torque wrench

TORQUE CHART

Tighten all screws, bolts, and nuts to their specified torque values. Refer to the Service Manual for the torque values of the removed parts.

Item	N·m	kgf·m	lbf·ft
5 mm socket bolt	5.2	0.5	3.8

USE AND CARE INFORMATION

- Check the accessory mounts frequently and retighten if necessary.
- When this accessory becomes dirty, rinse it thoroughly with cool water to remove loose dirt, then wipe with a clean cloth or sponge. Do not use a brush to clean this accessory as it may scratch the surface.
- Never use petroleum solvents such as gasoline, thinner or benzene to clean this accessory. Also do not use acid or alkaline cleaners. Wipe up spilled brake or battery fluid at once as they may damage the plastic surface.

INSTALLATION

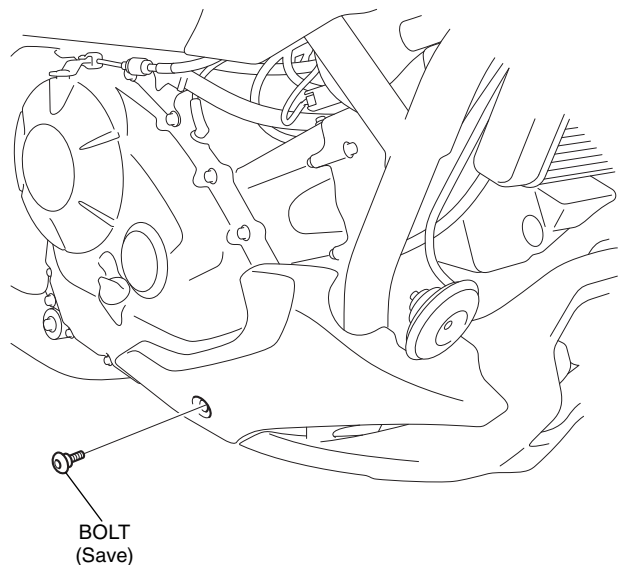
CAUTION:

- To prevent burns, allow the engine, exhaust system, radiator, etc., to cool before installing the accessory.

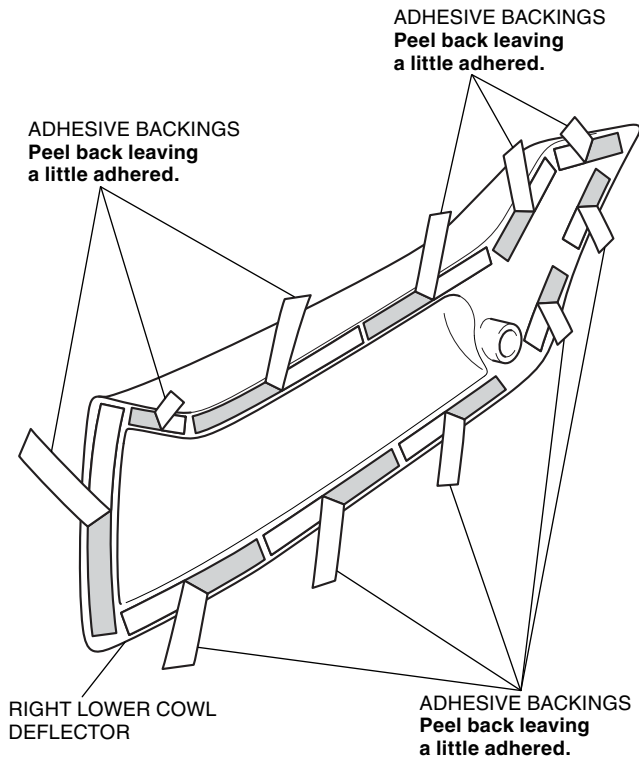
NOTE:

- Take care not to damage the painted surfaces of the motorcycle.
- Heat the bonding surfaces with a hair dryer if the ambient air temperature is below 70°F (21°C).
- The adhesive reaches full strength in 72 hours. Wait at least 24 hours before riding your motorcycle.

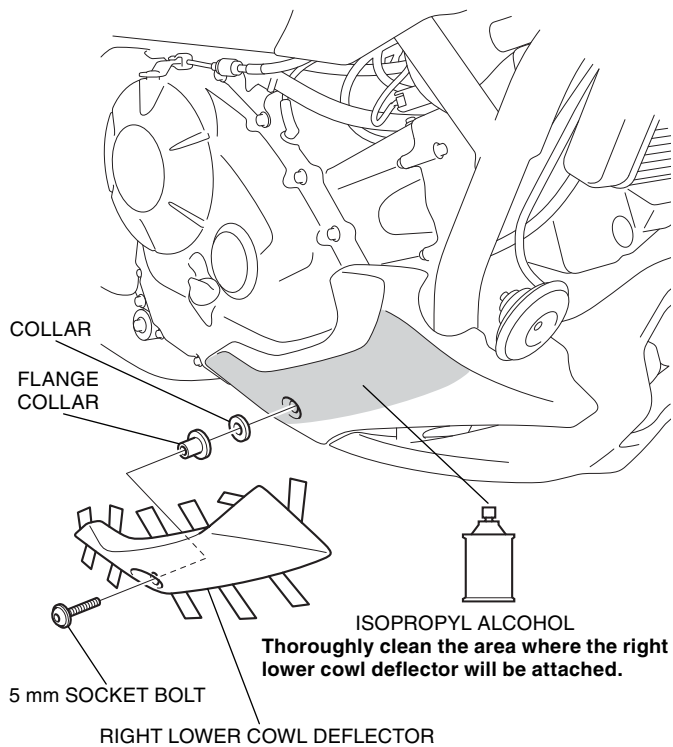
1. Remove the bolt as shown.



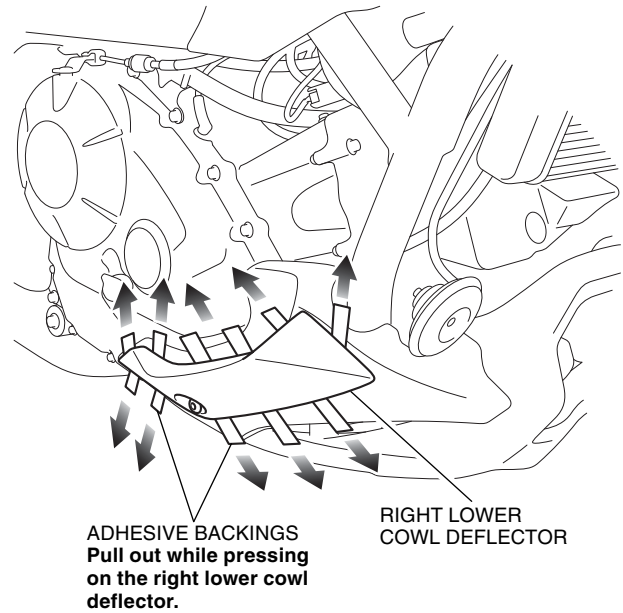
2. Peel back an end of the adhesive backings on the back of the right lower cowl deflector as shown.



3. Loosely install the right lower cowl deflector as shown.



4. Install the right lower cowl deflector securely as shown.



5. Apply adequate pressure to the attached right lower cowl deflector.
6. Tighten the loosely installed bolt.
7. Repeat the installation on the left side.