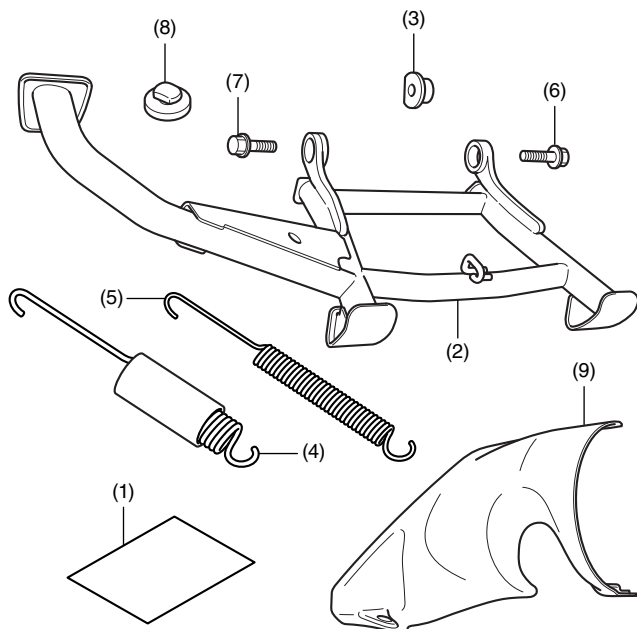


PARTS LIST



No.	Description	Qty
(1)	Installation Instructions URL	1
(2)	Centerstand	1
(3)	Collar	2
(4)	Spring (large)	1
(5)	Spring (small)	1
(6)	10 mm flange bolt (left hand thread)	1
(7)	10 mm flange bolt	1
(8)	Rubber stop	1
(9)	Left muffer cover	1

TOOLS AND SUPPLIES REQUIRED

- Socket (14 mm)
- Ratchet
- Spring tool
- Grease
- Dish soap solution
(Water:Dish soap / 100:1)
- Shop towel
- Torque wrench

TORQUE CHART

Tighten all screws, bolts, and nuts to their specified torque values. Refer to the Service Manual for the torque values of the removed parts.

Item	N·m	kgf·m	lbf·ft
10 mm flange bolt	54	5.5	39.9

INSTALLATION

▲ CAUTION

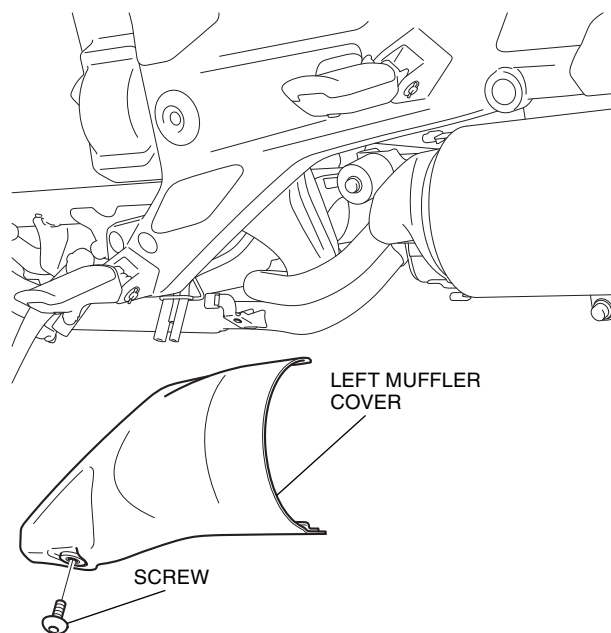
- To prevent burns, allow the engine, exhaust system, radiator, etc., to cool before installing the accessory.

NOTE:

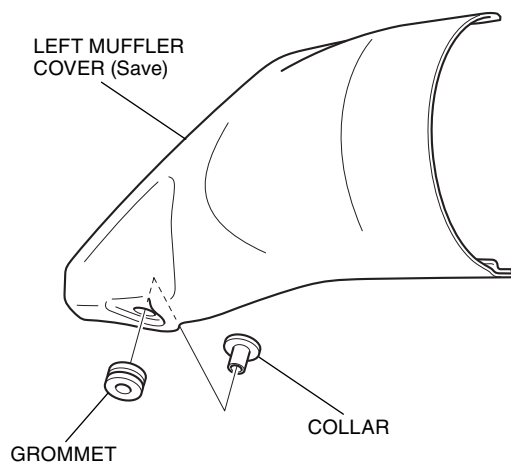
- Be extremely careful when installing the springs as the combined tension of the springs is very strong.
- Keep the motorcycle on its side stand when installing the centerstand.
- The spring installation should be performed by two people. While one person holds the motorcycle, the other person installs the spring.

1. Remove the left muffer cover as shown.

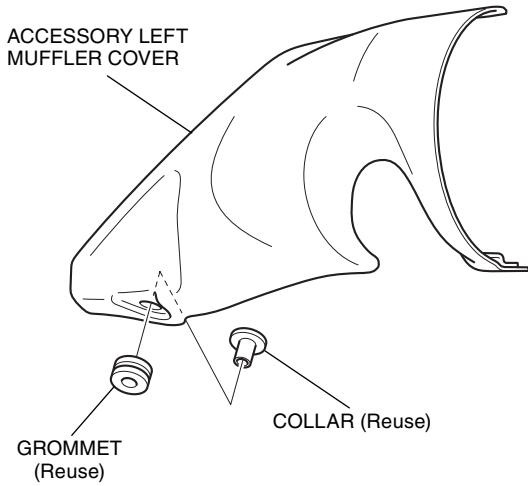
<Left side>



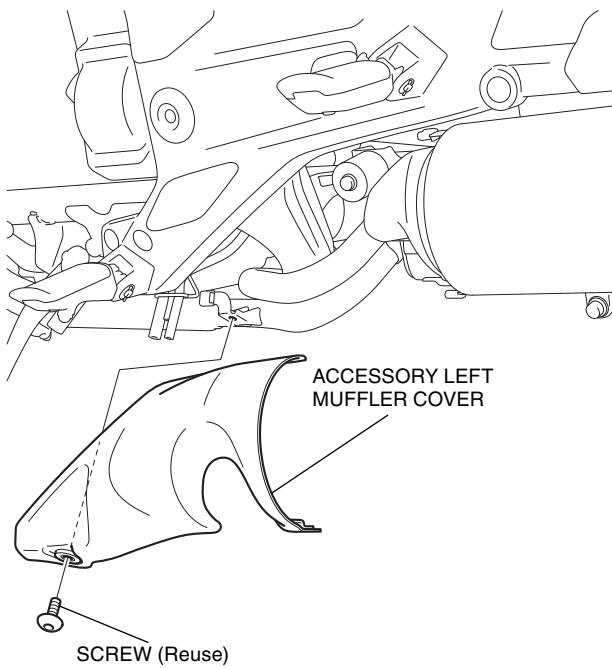
2. Remove the grommet and the collar as shown.



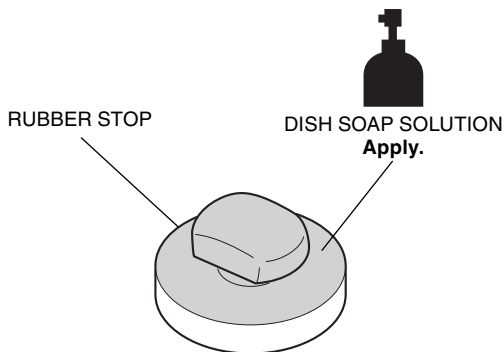
3. Install the grommet and the collar to the accessory left muffler cover as shown.



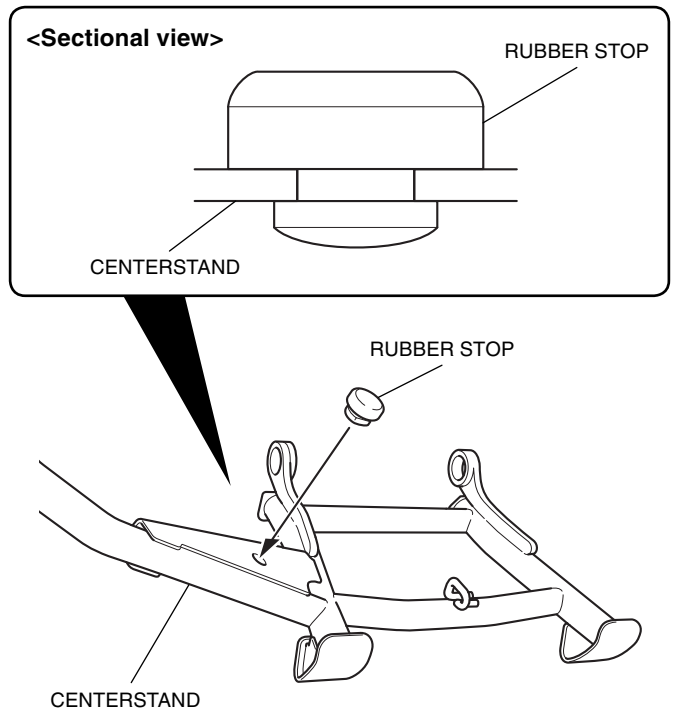
4. Install the accessory left muffler cover as shown.



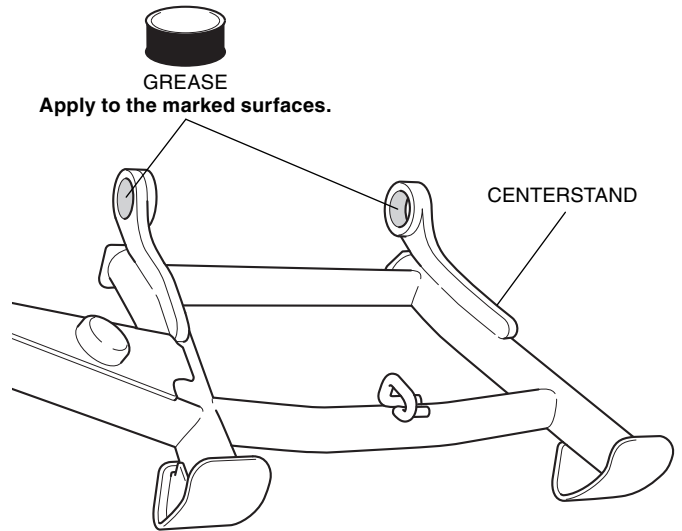
5. Apply dish soap solution to the position shown.



6. Install the rubber stop in the position shown.



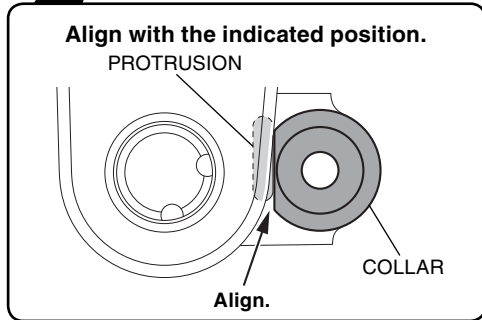
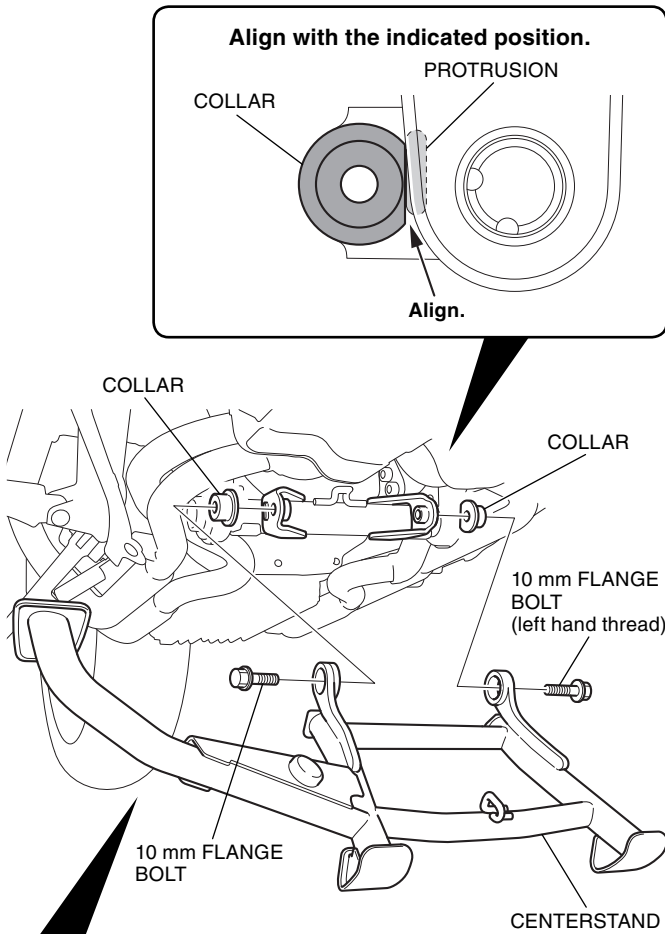
7. Apply grease to the position shown.



8. Loosely install the centerstand as shown.

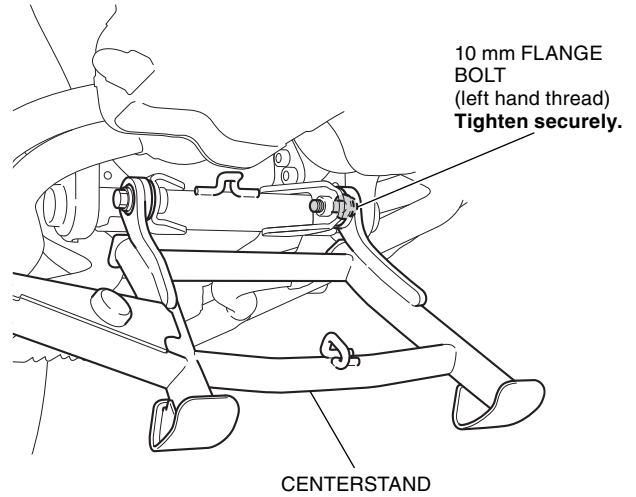
NOTE:

- The right side bolt has left hand threads.

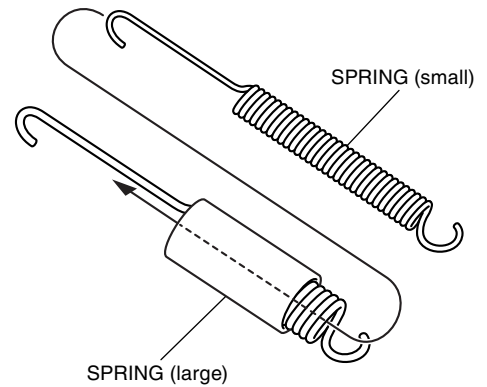


9. Tighten the loosely installed bolt securely as shown.

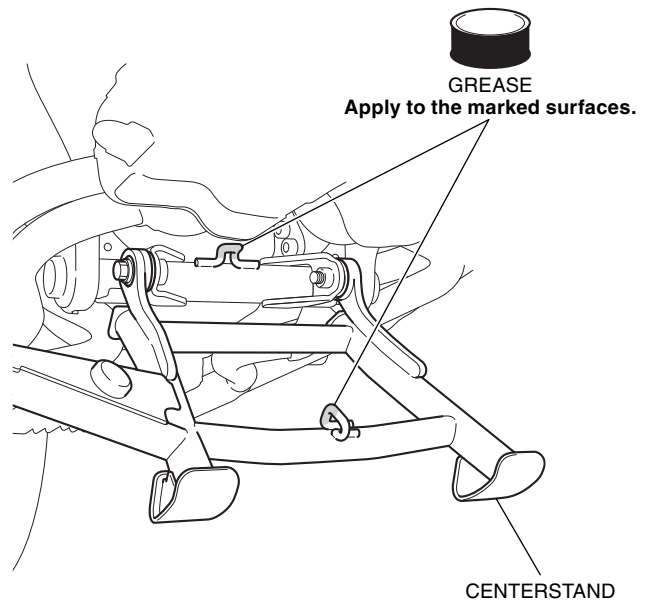
- The bolt has left hand threads.



10. Slide the small spring into the large spring as shown.

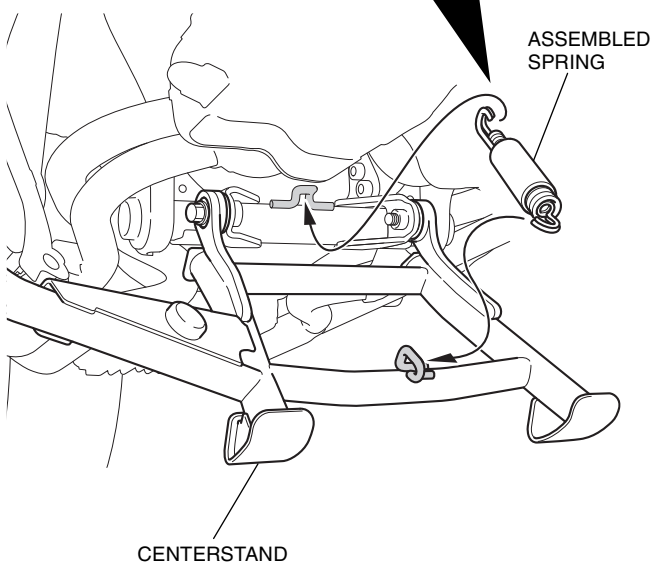
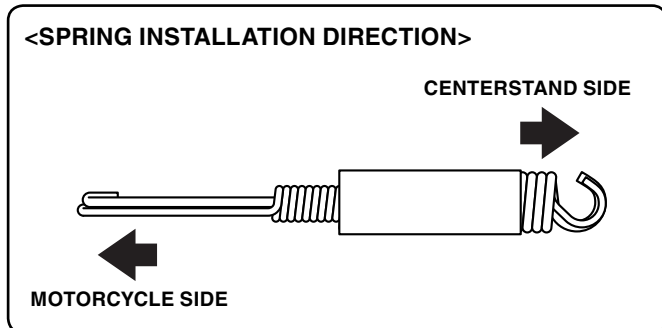


11. Apply grease to the position shown.



12. Install the assembled spring as shown.

- **First install the spring to the motorcycle, then install the spring on the centerstand.**
- **The spring installation should be performed by two people. While one person holds the motorcycle, the other person installs the spring.**



13. Set the motorcycle on the centerstand and tighten the loosely installed bolt securely as shown.

10 mm FLANGE BOLT
Tighten securely.

