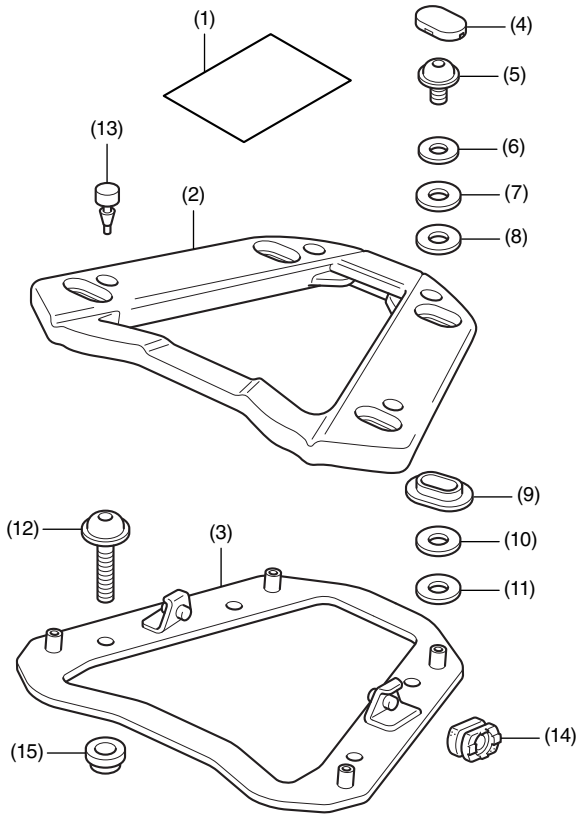
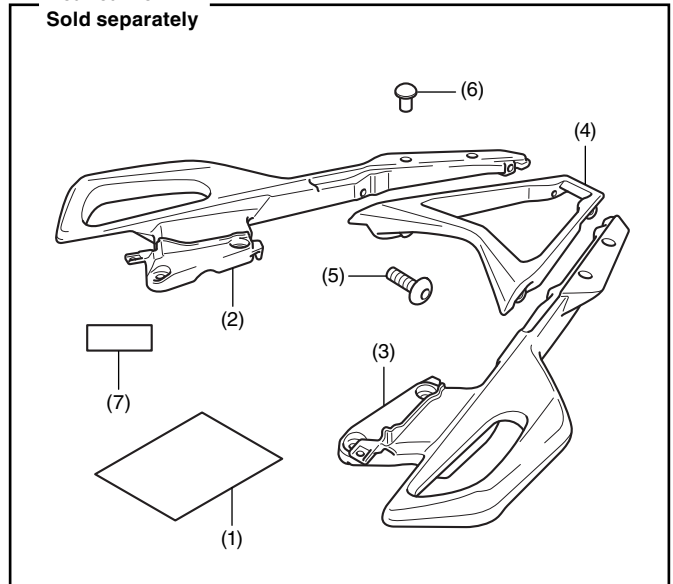


PARTS LIST



No.	Description	Qty
(1)	Installation Instruction URL	1
(2)	Trunk base	1
(3)	Bracket	1
(4)	Cap	4
(5)	6 mm socket screw	4
(6)	Plain washer	4
(7)	Rubber washer (small)	4
(8)	Plastic washer (Black)	4
(9)	Slide washer	4
(10)	Plastic washer (White)	4
(11)	Rubber washer (large)	4
(12)	8 mm socket screw	4
(13)	Cushion	4
(14)	Grommet	2
(15)	Collar	4

Rear carrier Sold separately



No.	Description	Qty
(1)	Installation Instruction URL	1
(2)	Right rear carrier	1
(3)	Left rear carrier	1
(4)	Center rear carrier	1
(5)	8 mm socket bolt	4
(6)	Cap (Not used.)	4
(7)	Label	1

TOOLS REQUIRED

Hex wrench (4 and 5 mm)

Torque wrench

TORQUE CHART

Tighten all screws, bolts, and nuts to their specified torque values. Refer to the Service Manual for the torque values of the removed parts.

Item	N-m	kgf-m	lbf-ft
6 mm socket screw	10	1.0	7
8 mm socket screw	22	2.2	16

MAXIMUM LOADING CAPACITY

- The weight of the cargo must not exceed the following maximum loading capacity:

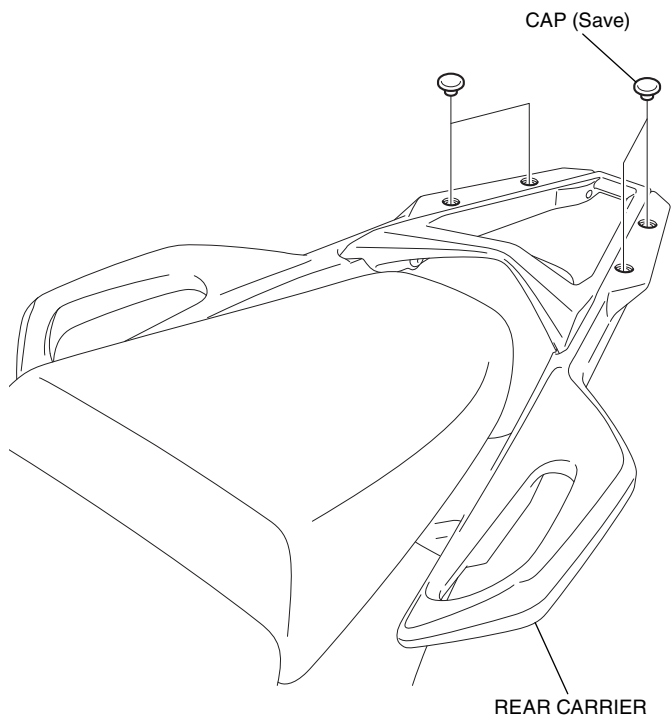
Maximum Loading Capacity	
Rear trunk	6.0 kg (13.2 lb)

INSTALLATION

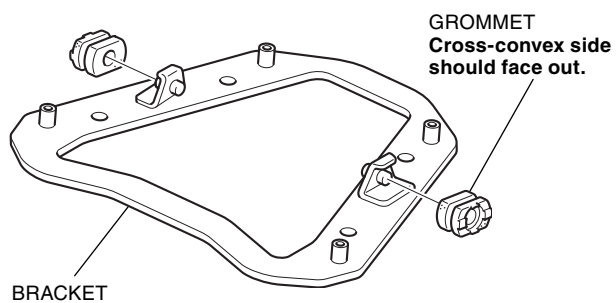
NOTE:

- The rear carrier must be installed prior to installation of this accessory.

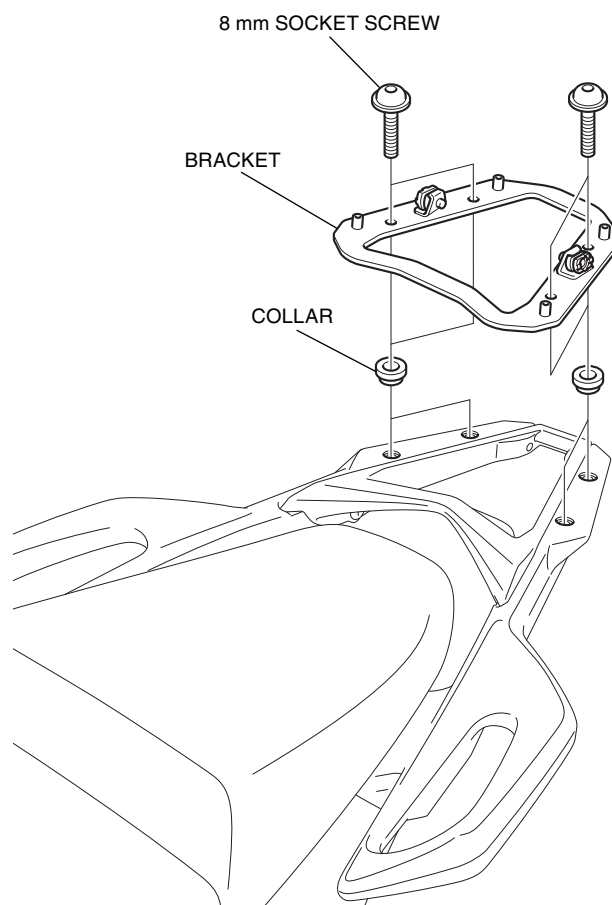
1. Install the separately sold rear carrier.
2. Remove the caps as shown.
 - **Perform this step if the caps are attached in the position as shown.**



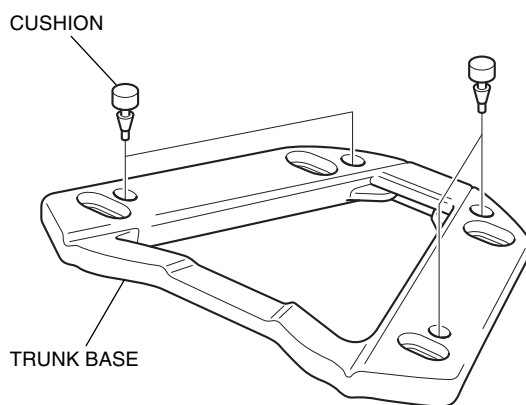
3. Install the grommets on the bracket as shown.



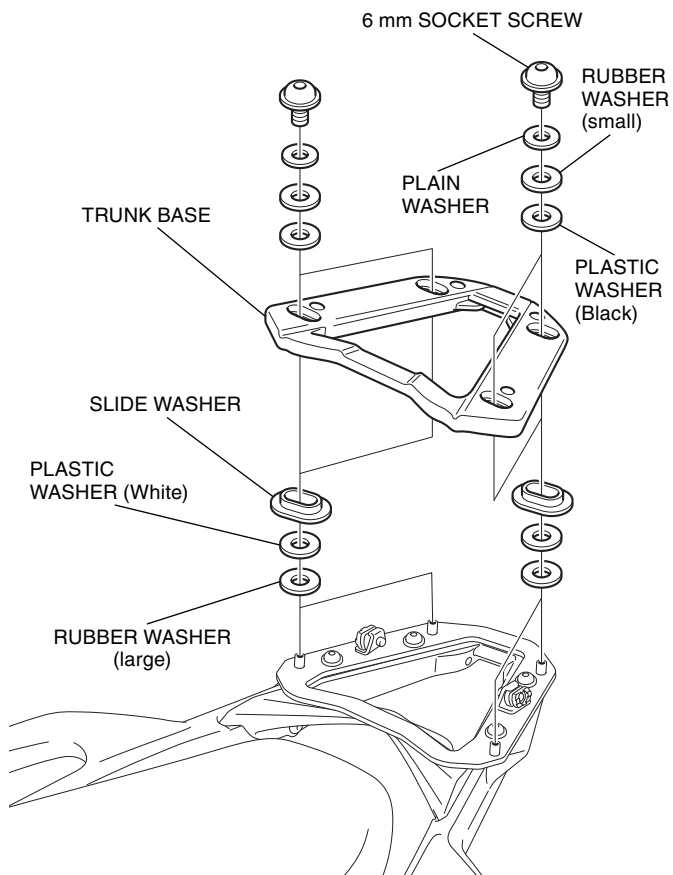
4. Install the bracket as shown.



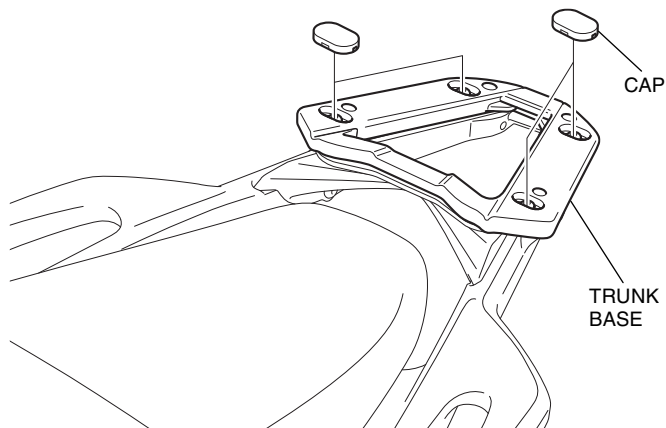
5. Install the cushions on the trunk base as shown.



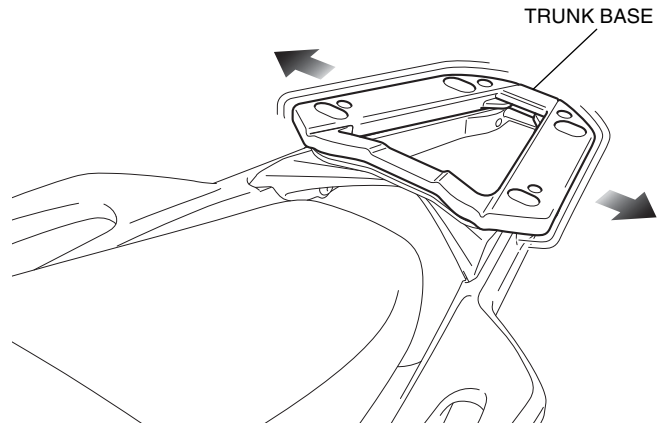
6. Install the trunk base as shown.



7. Install the caps as shown.



8. Be sure that the trunk base moves right and left smoothly as shown.



9. Refer to the Genuine Accessory User's Guide that is included with the rear carrier, and install the rear trunk according to the instruction.